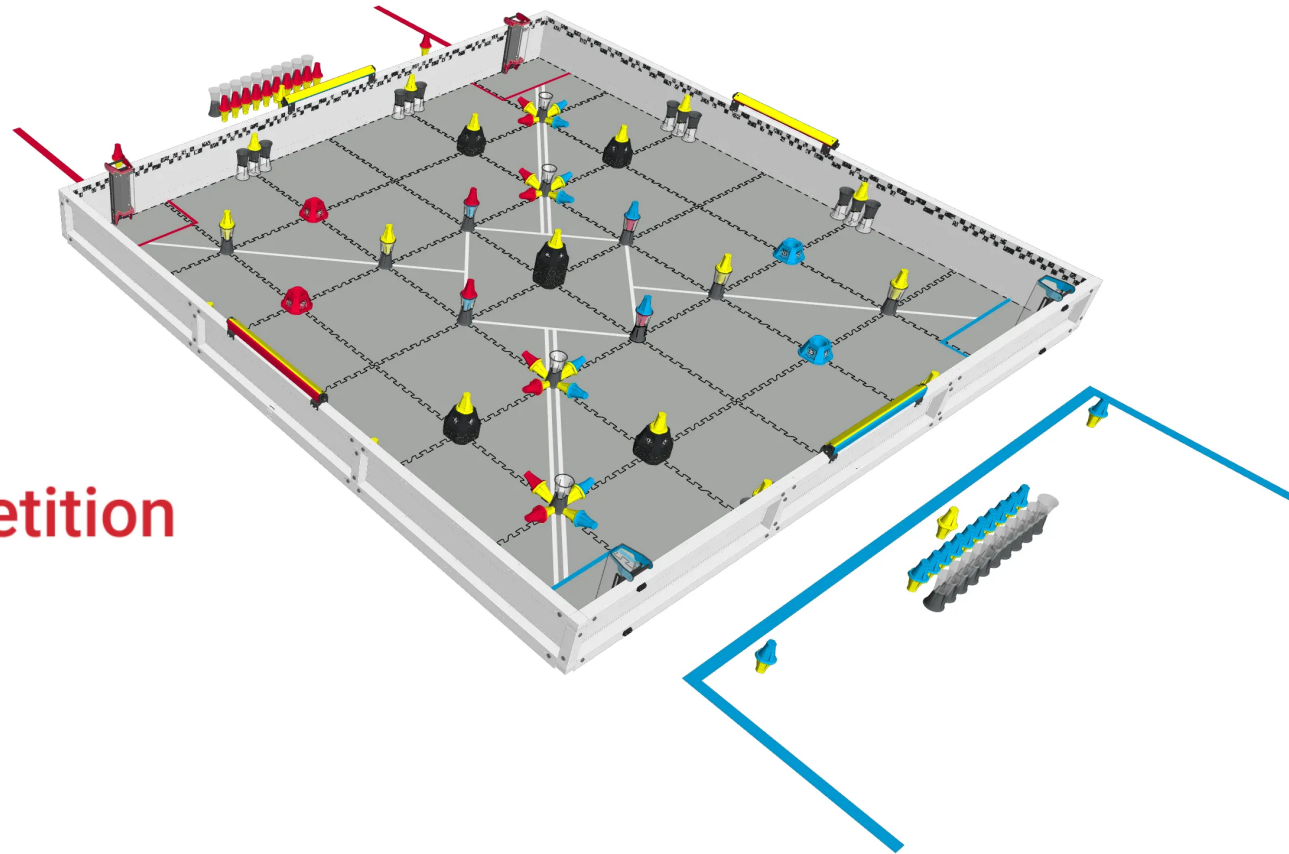


VEX V5
ROBOTICS
COMPETITION
3D Build Instructions

2026-2027
VEX V5 Robotics Competition
Override
Field Assembly Instructions

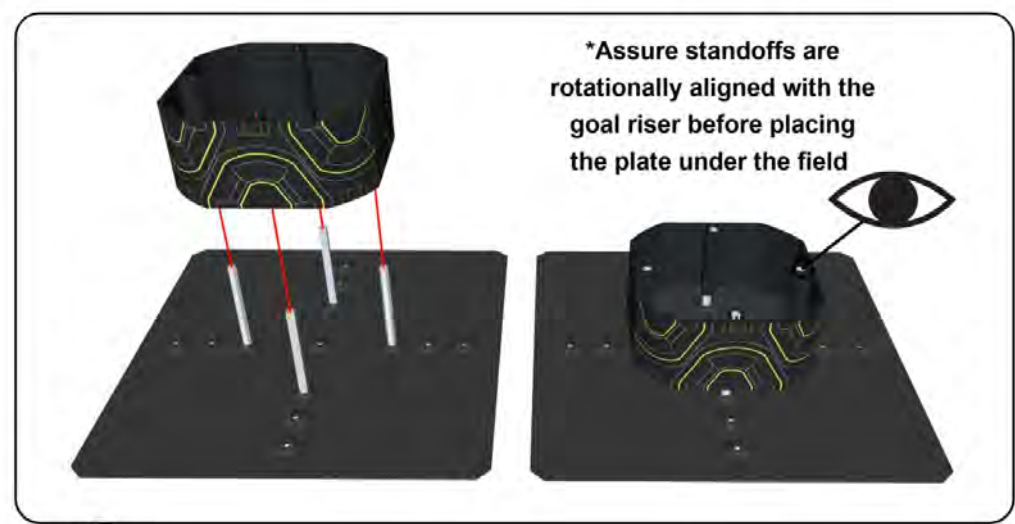
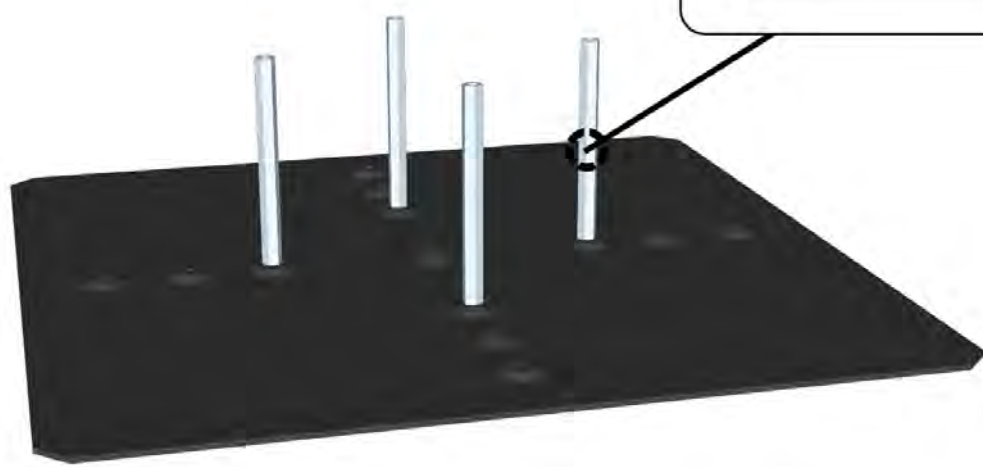
Copyright © 2026. All Rights Reserved.
VEX Robotics, Inc. is a subsidiary of Innovation First International, Inc.

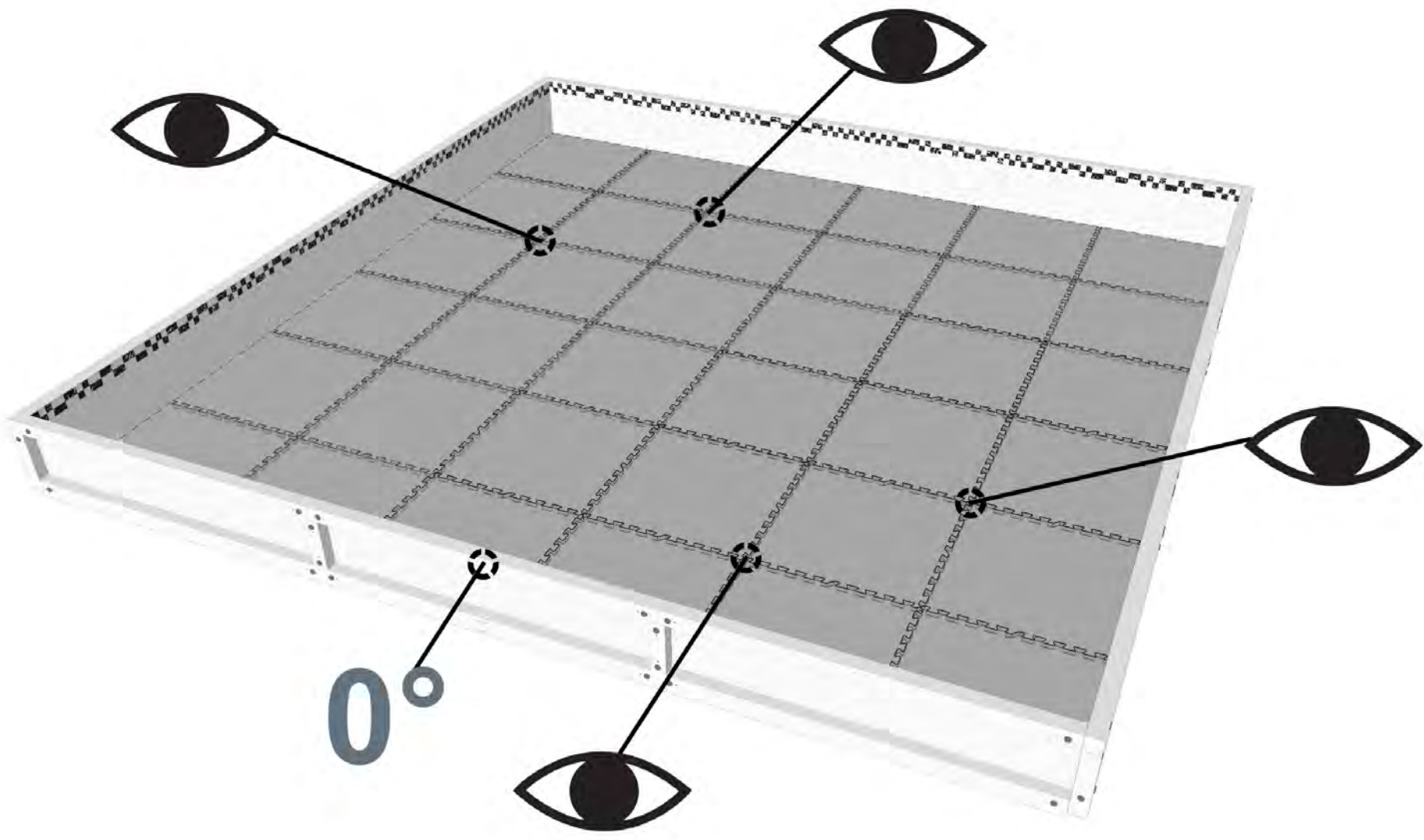


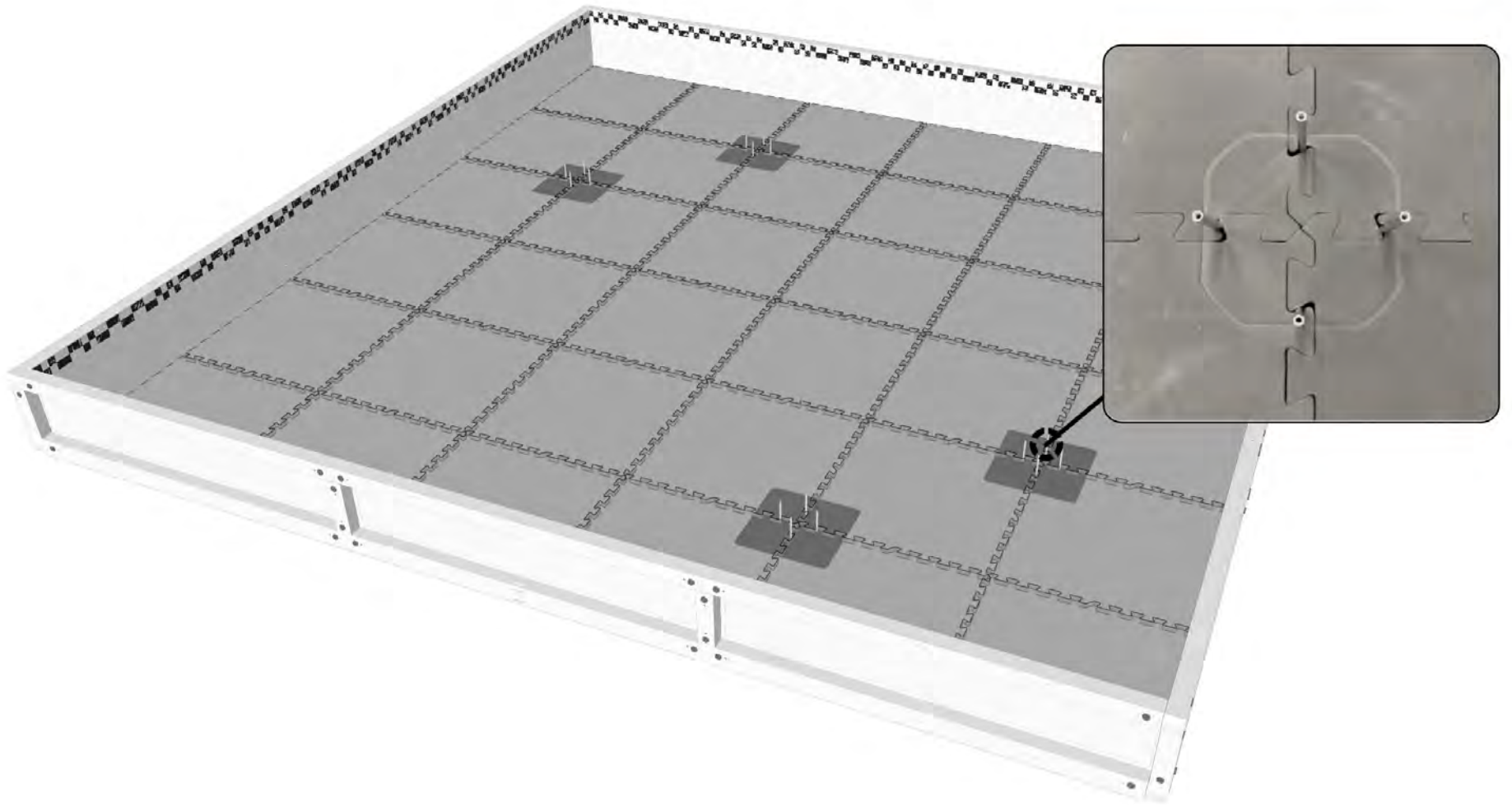
4x

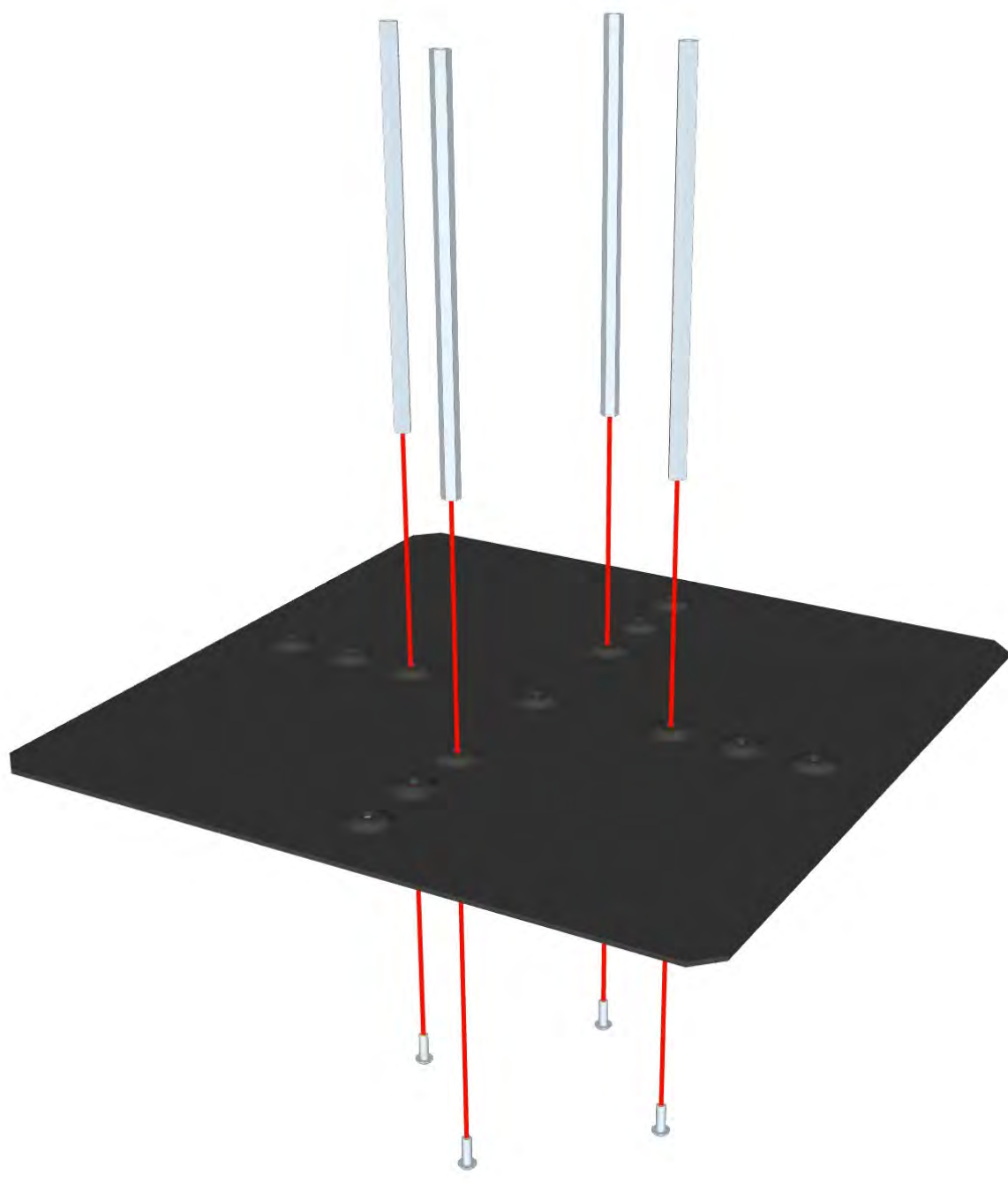


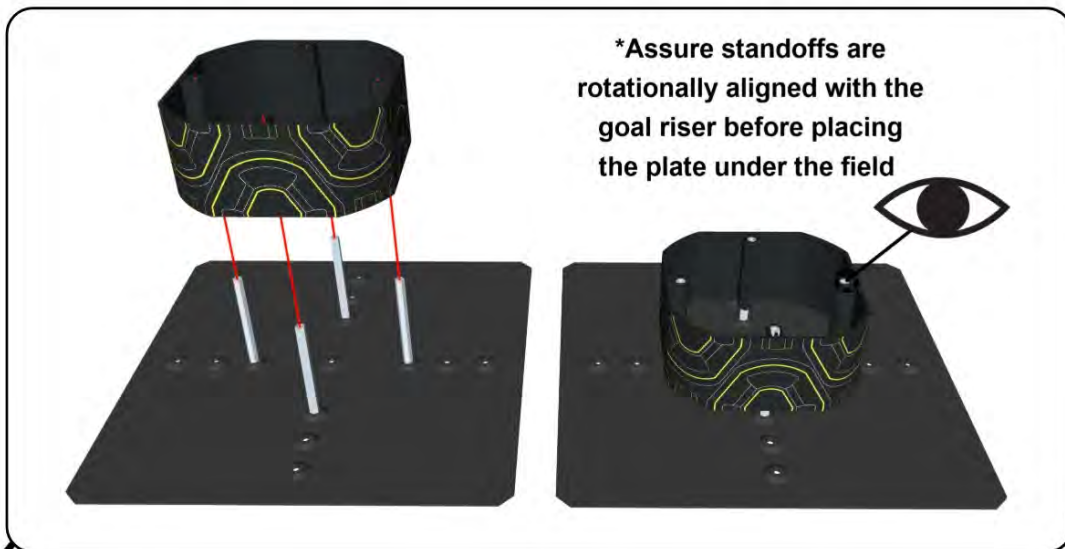
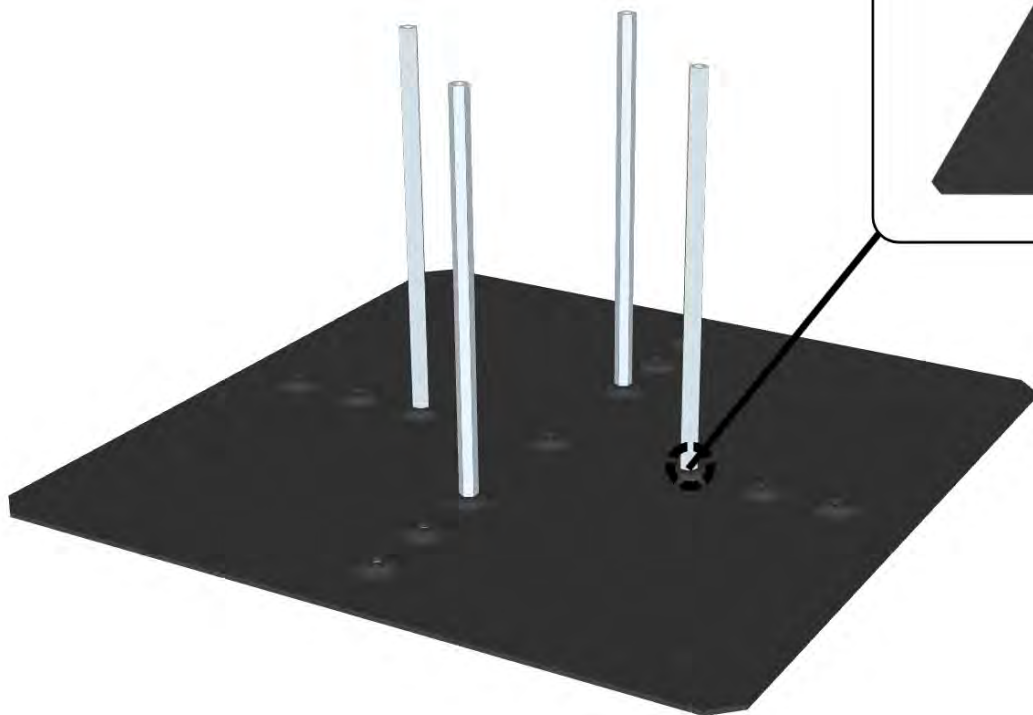
4x

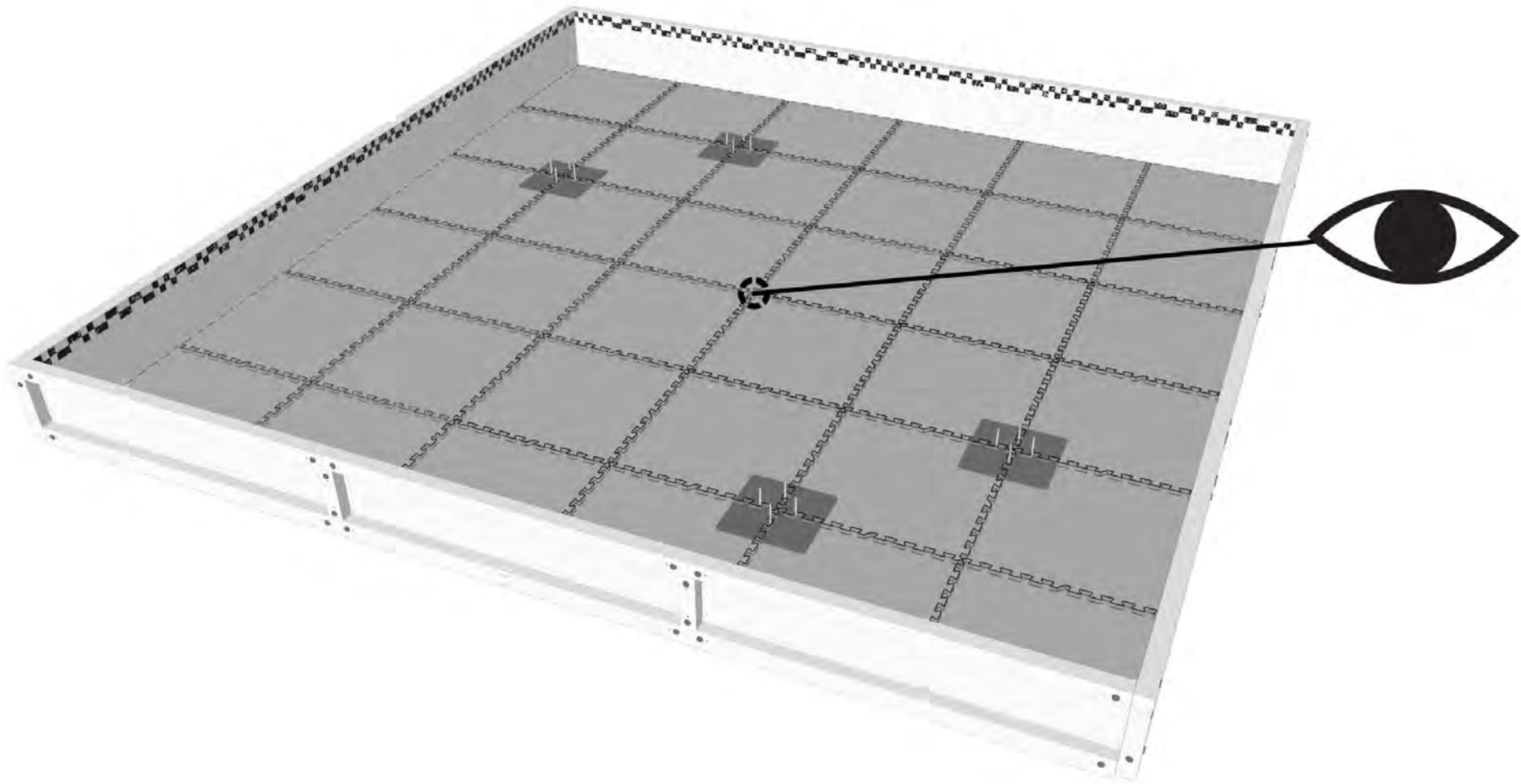


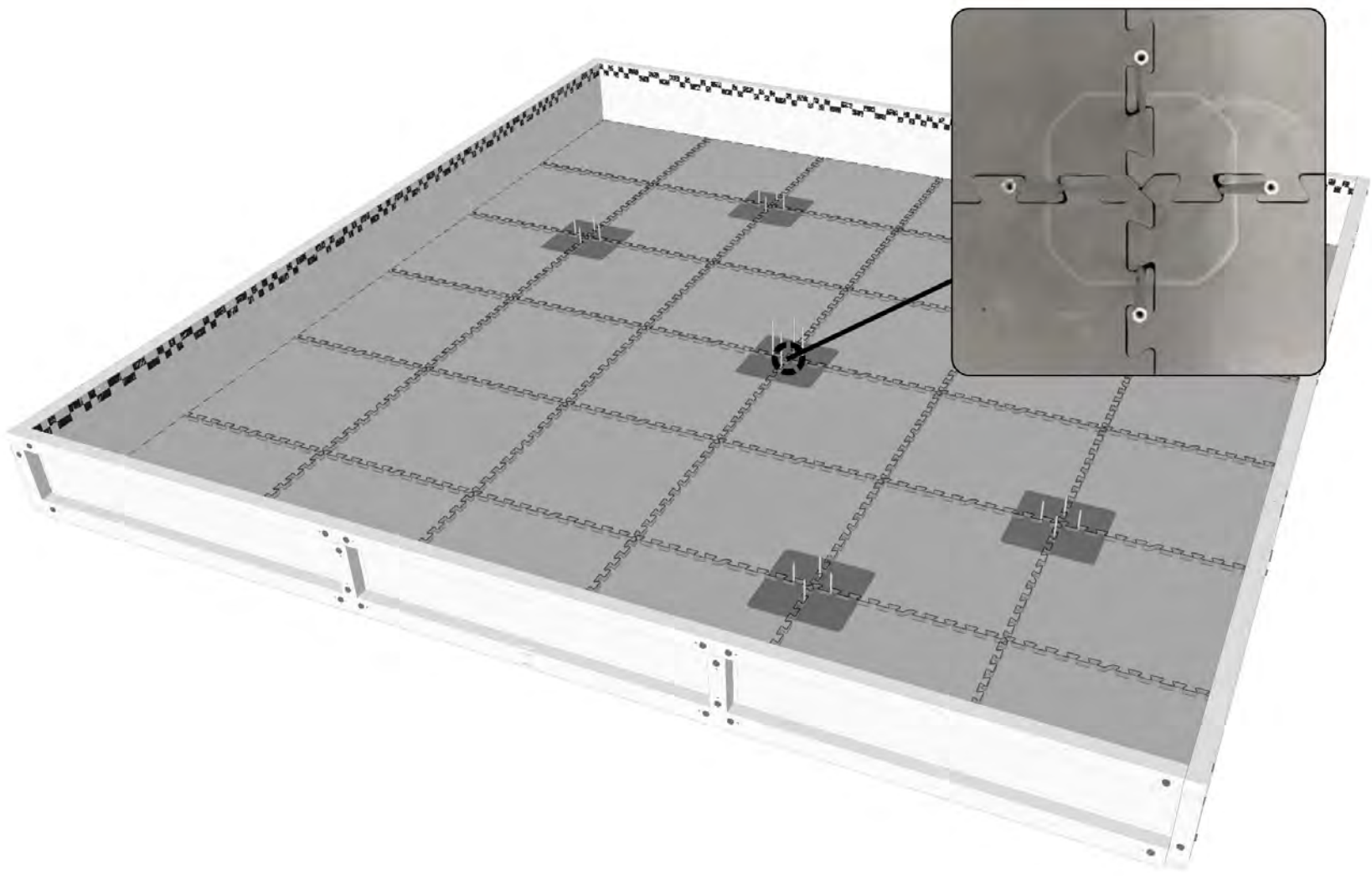




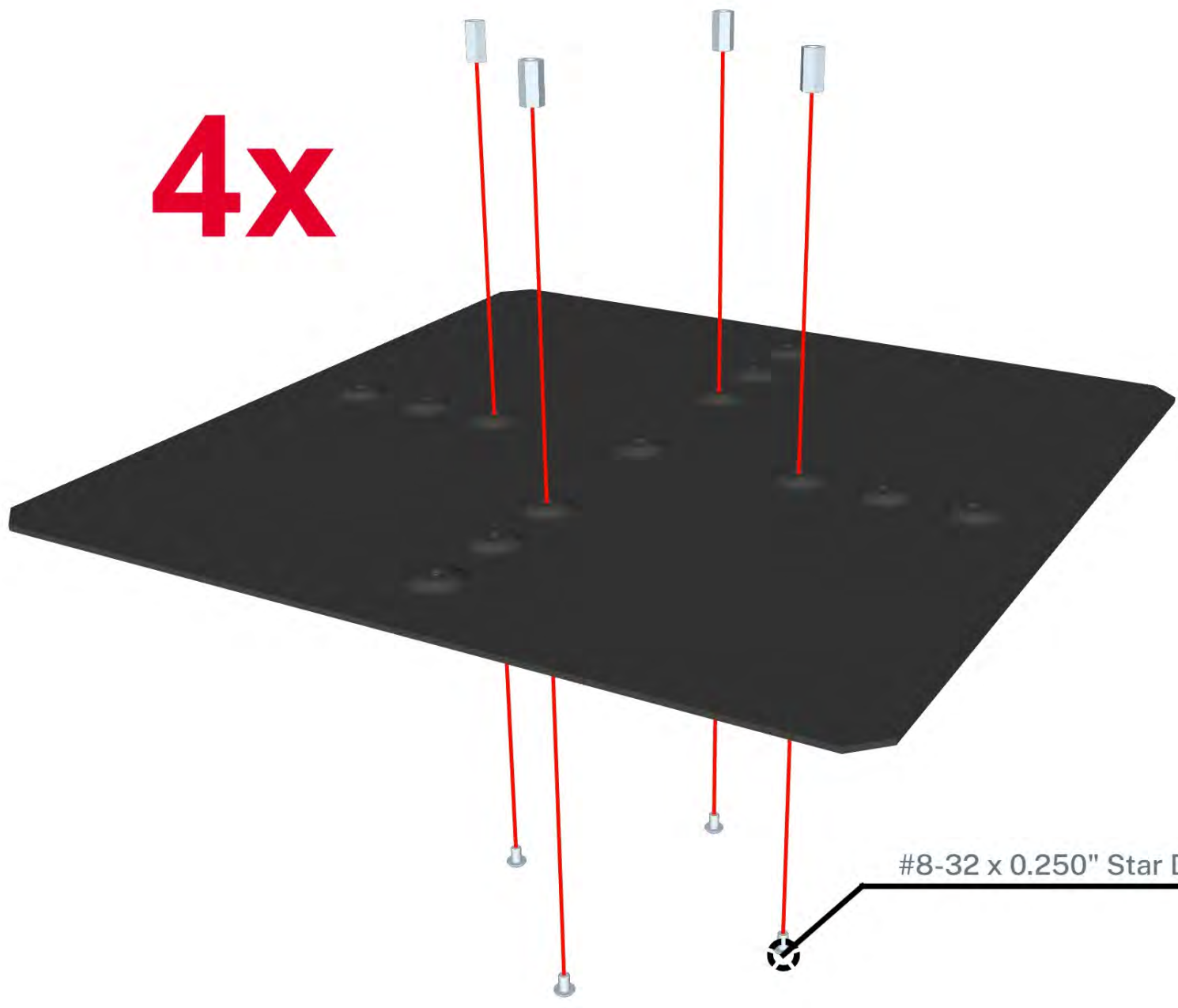




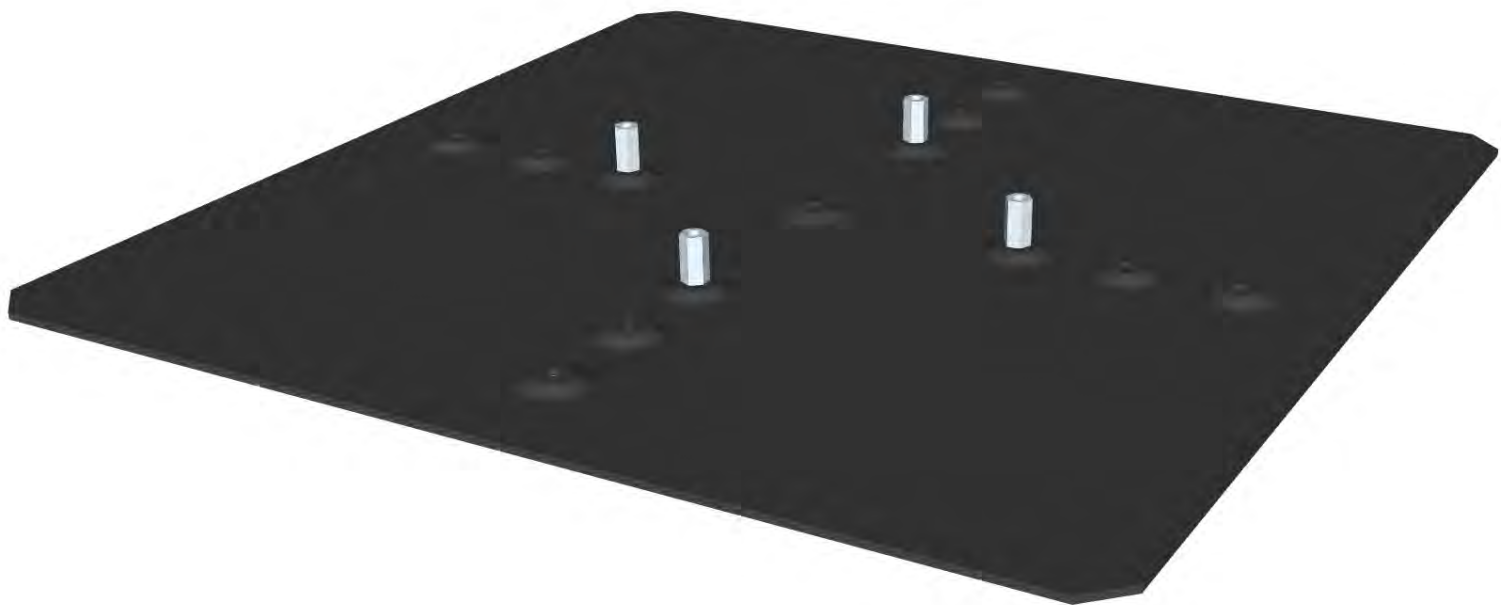


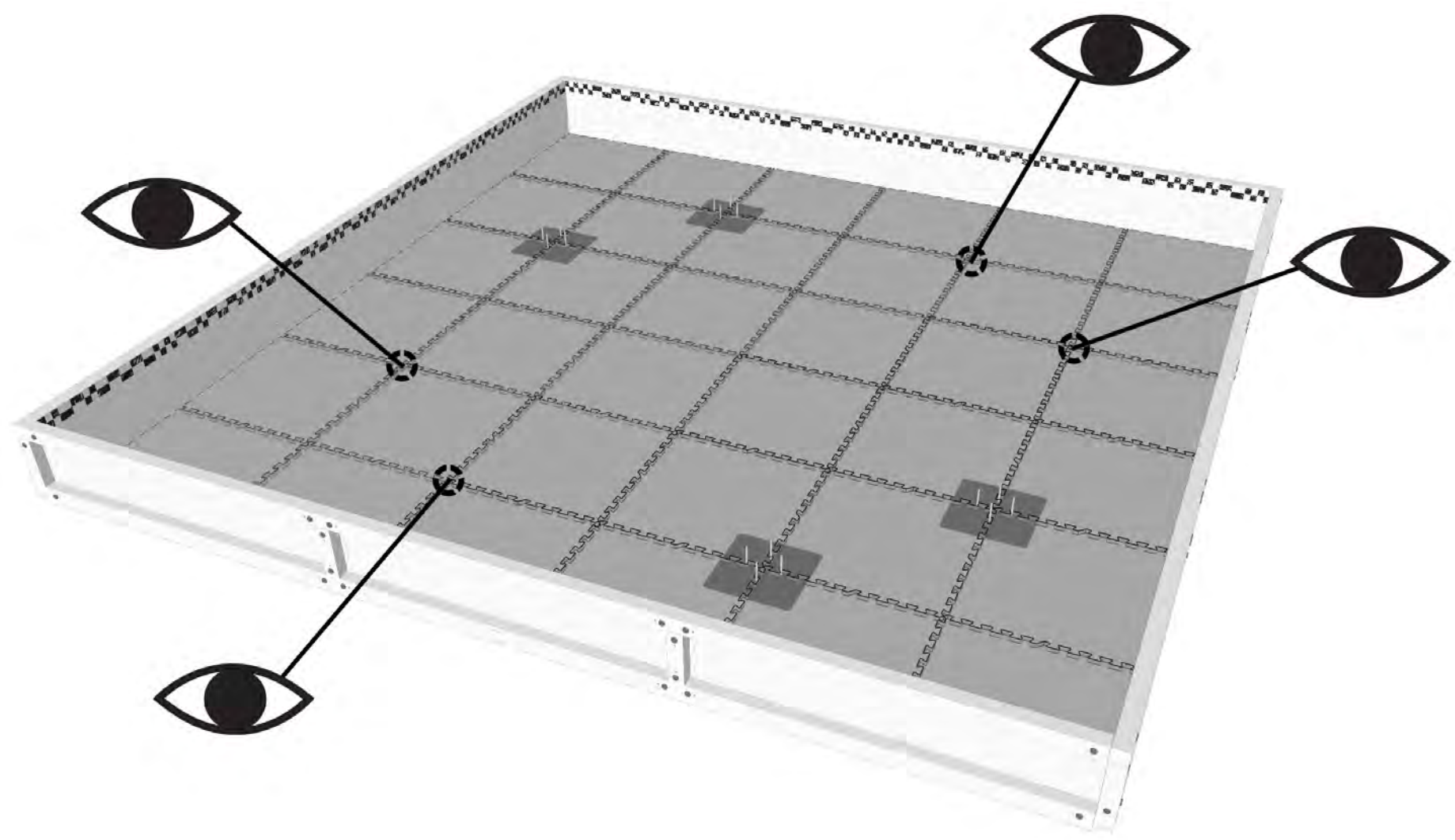


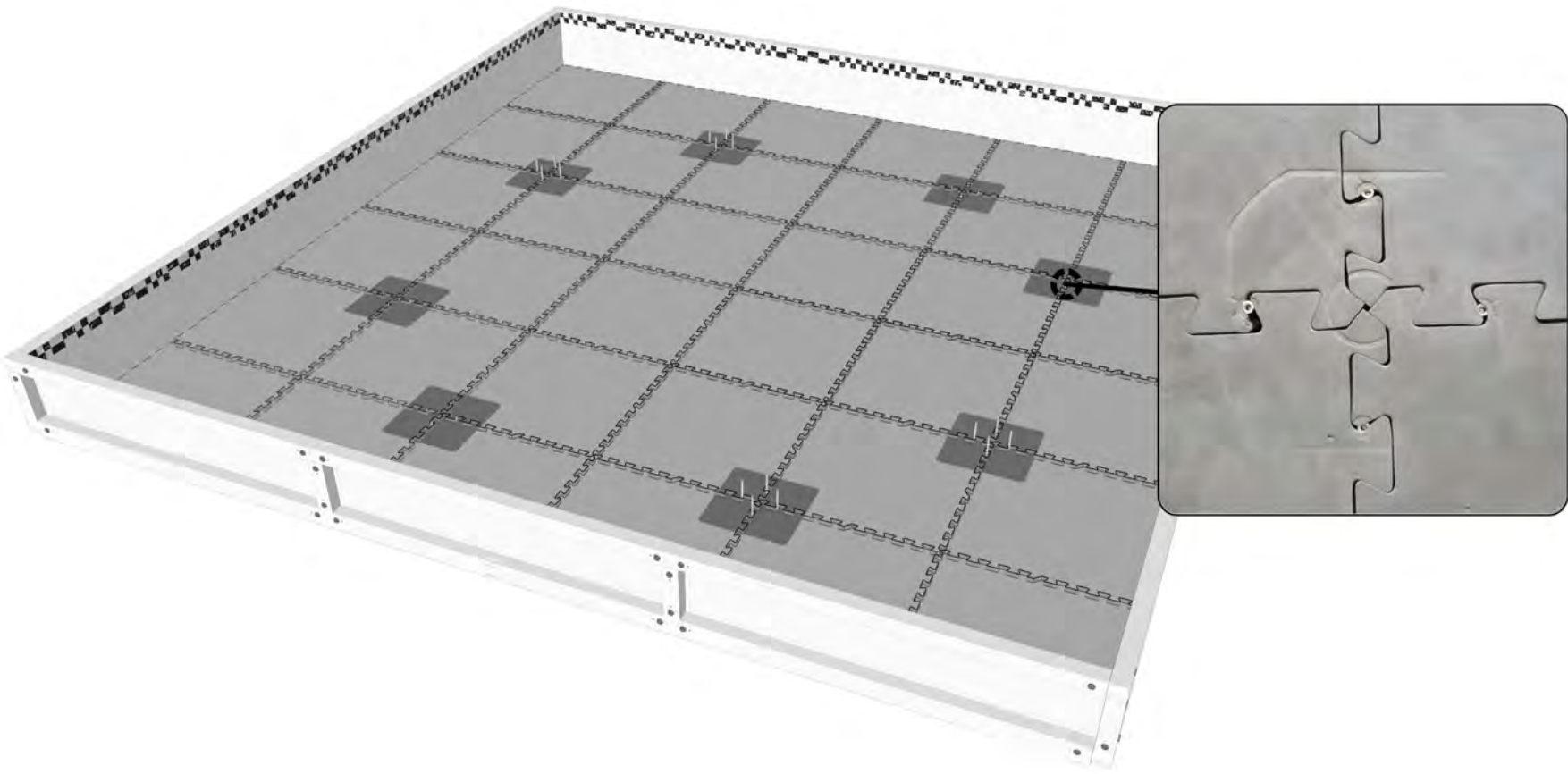
4x

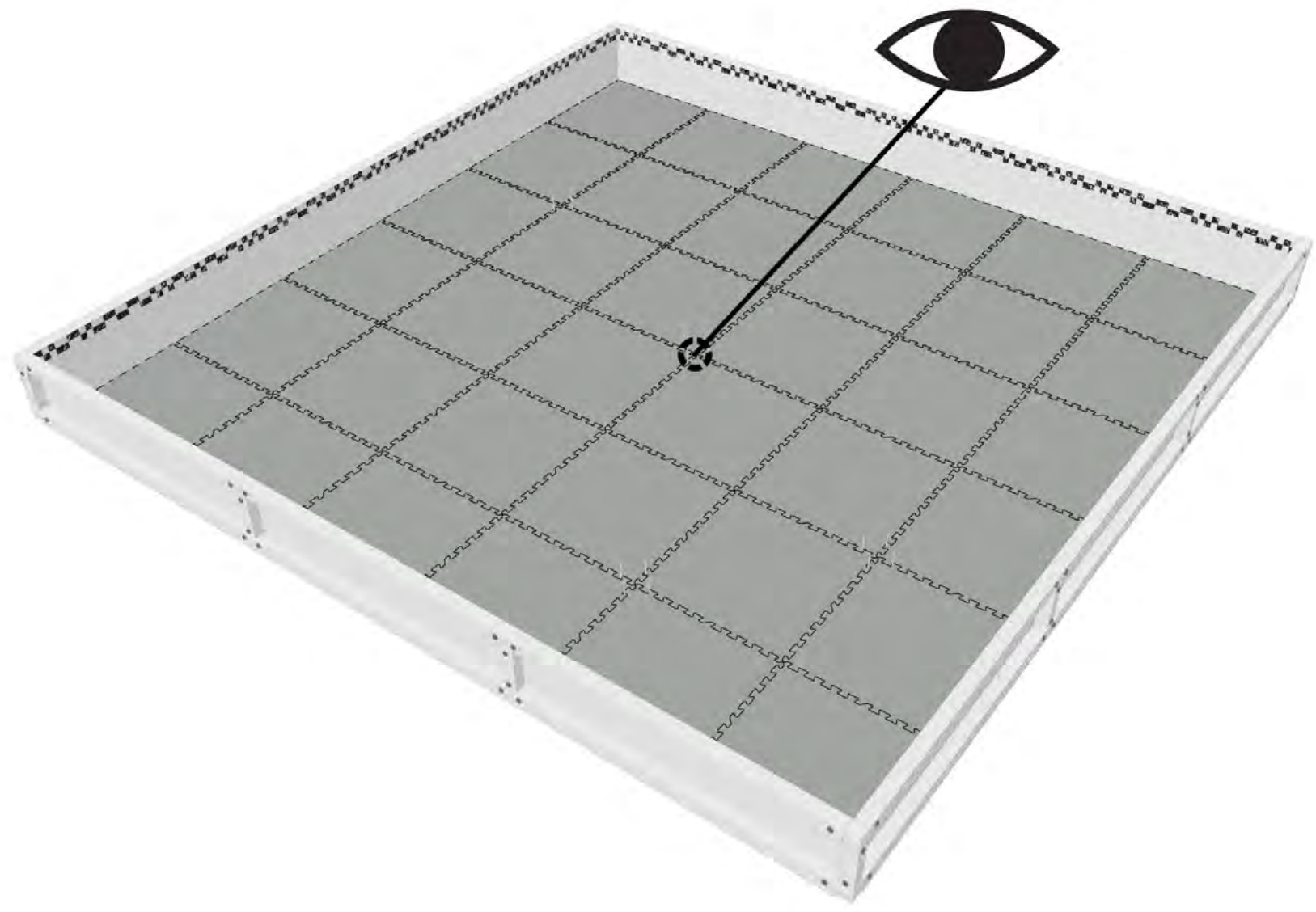


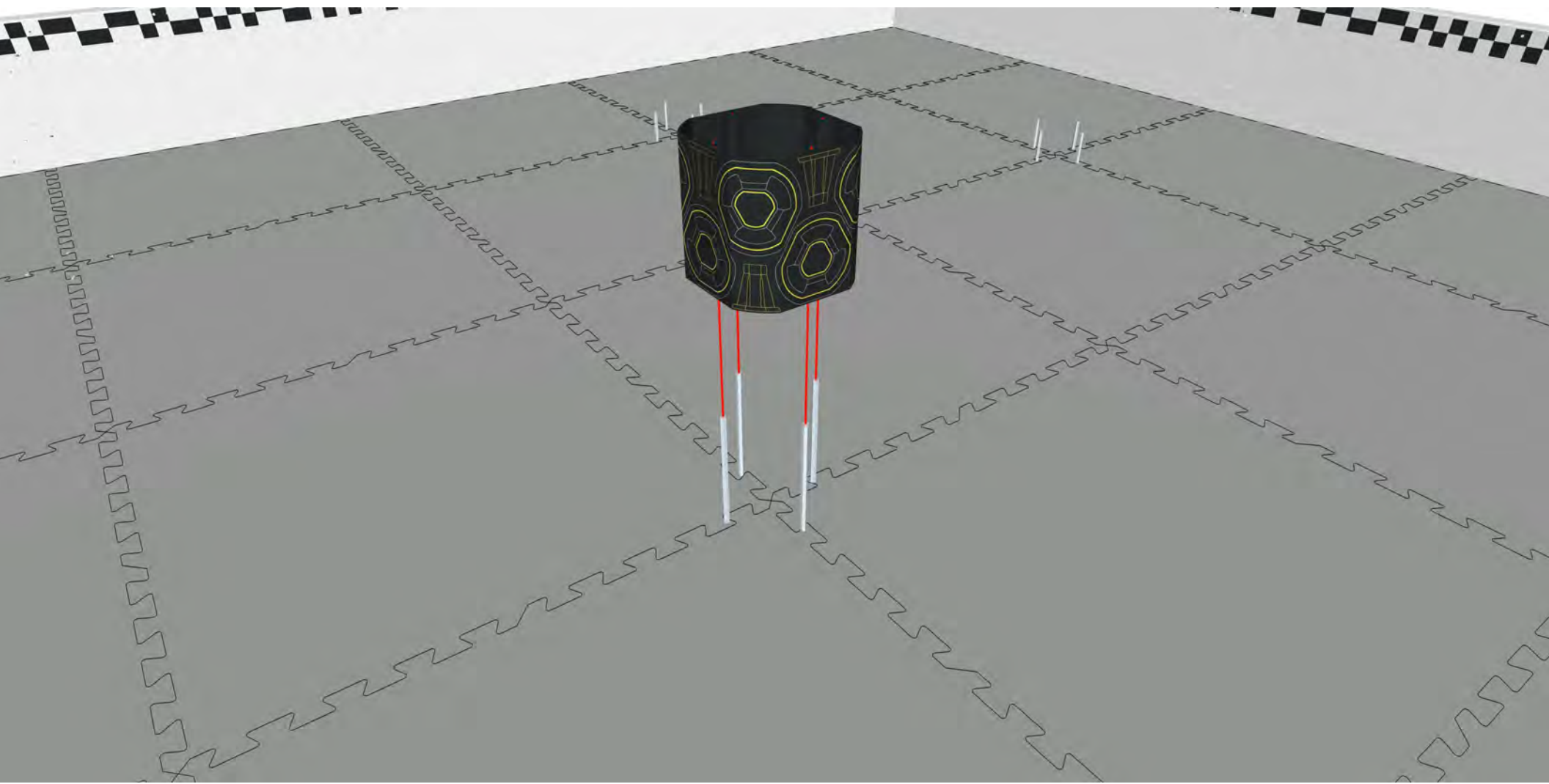
#8-32 x 0.250" Star Drive Screw

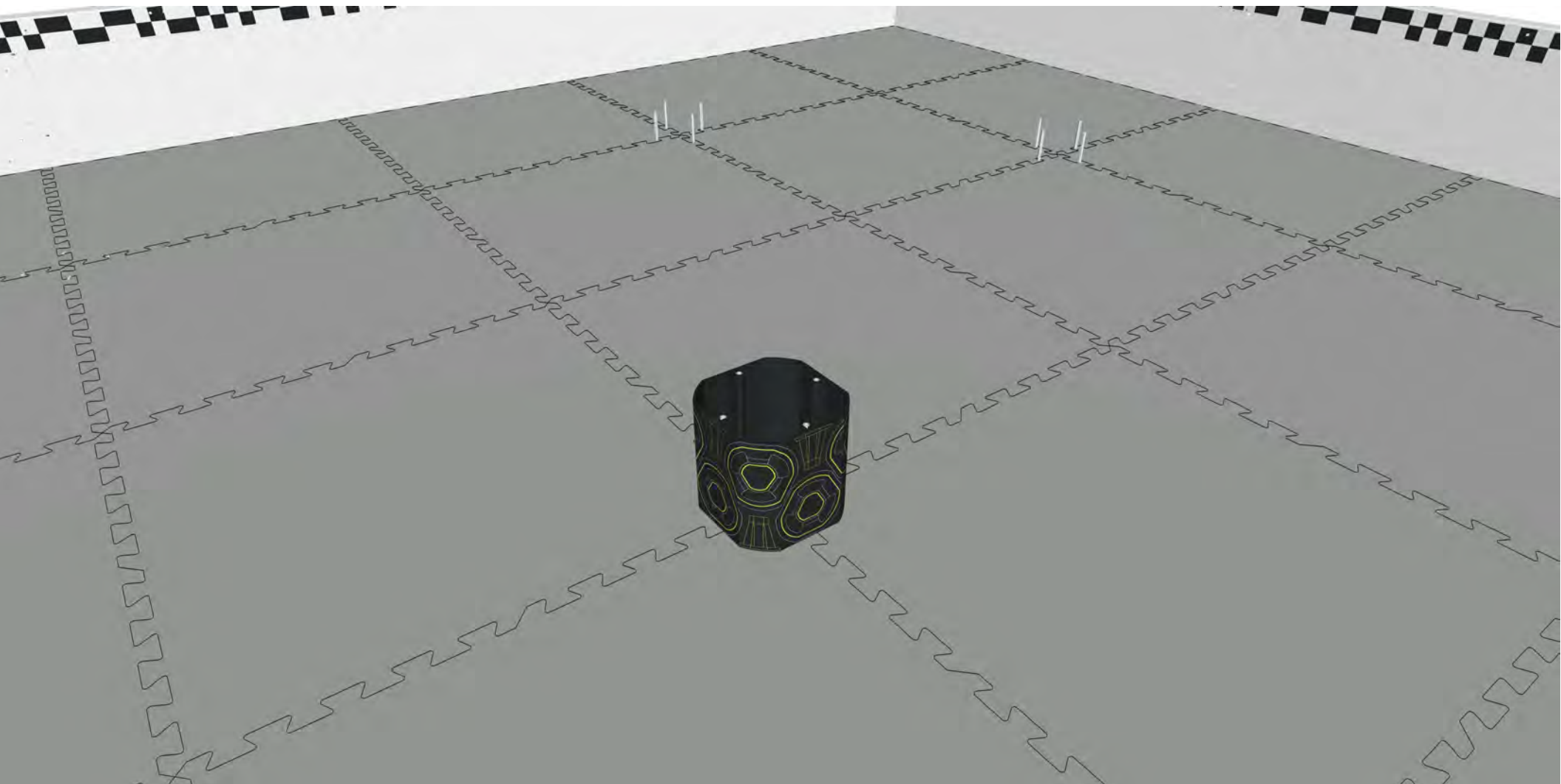


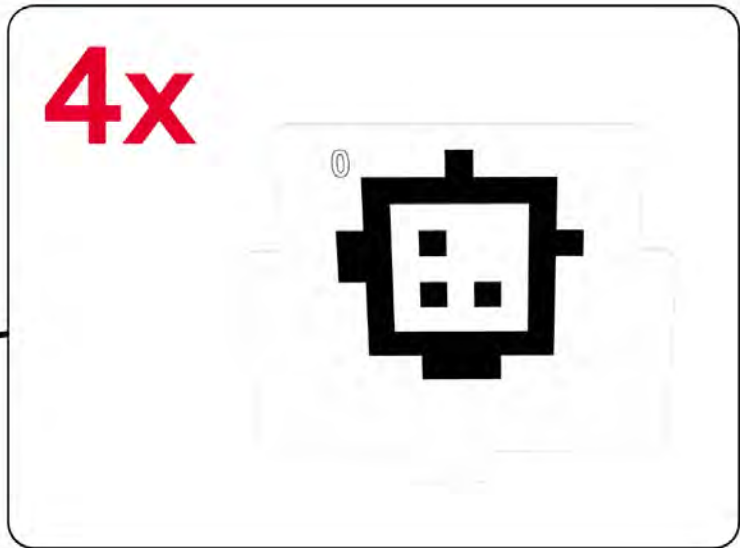
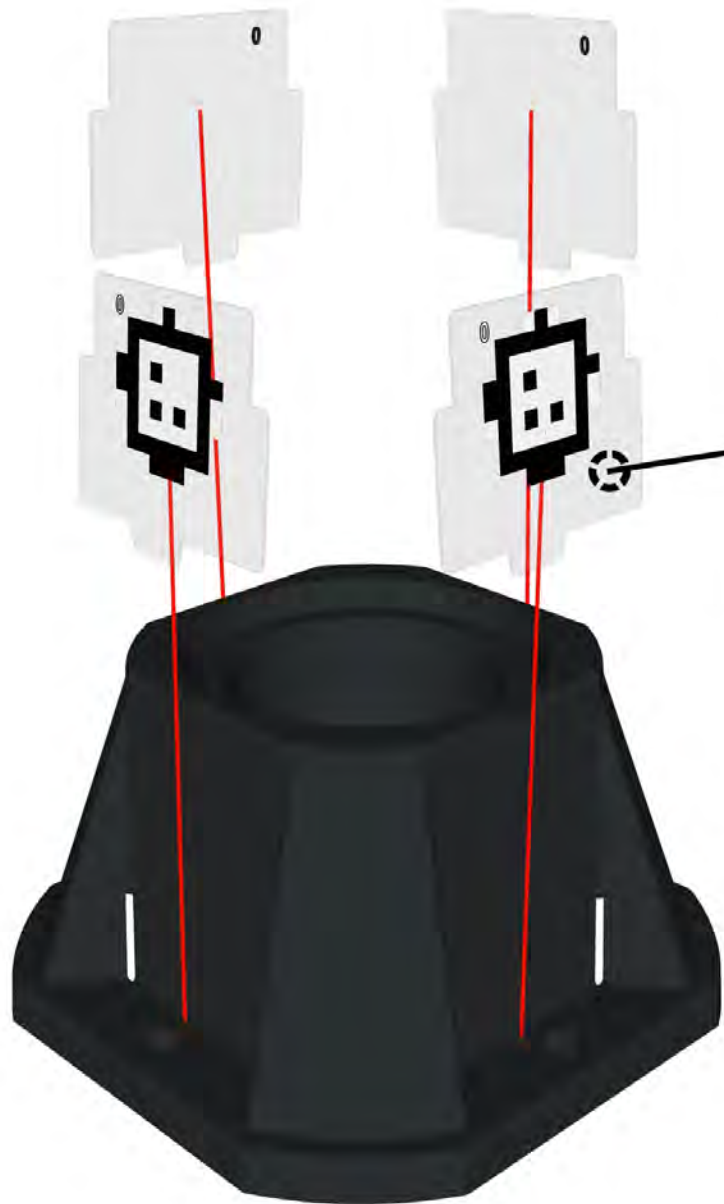


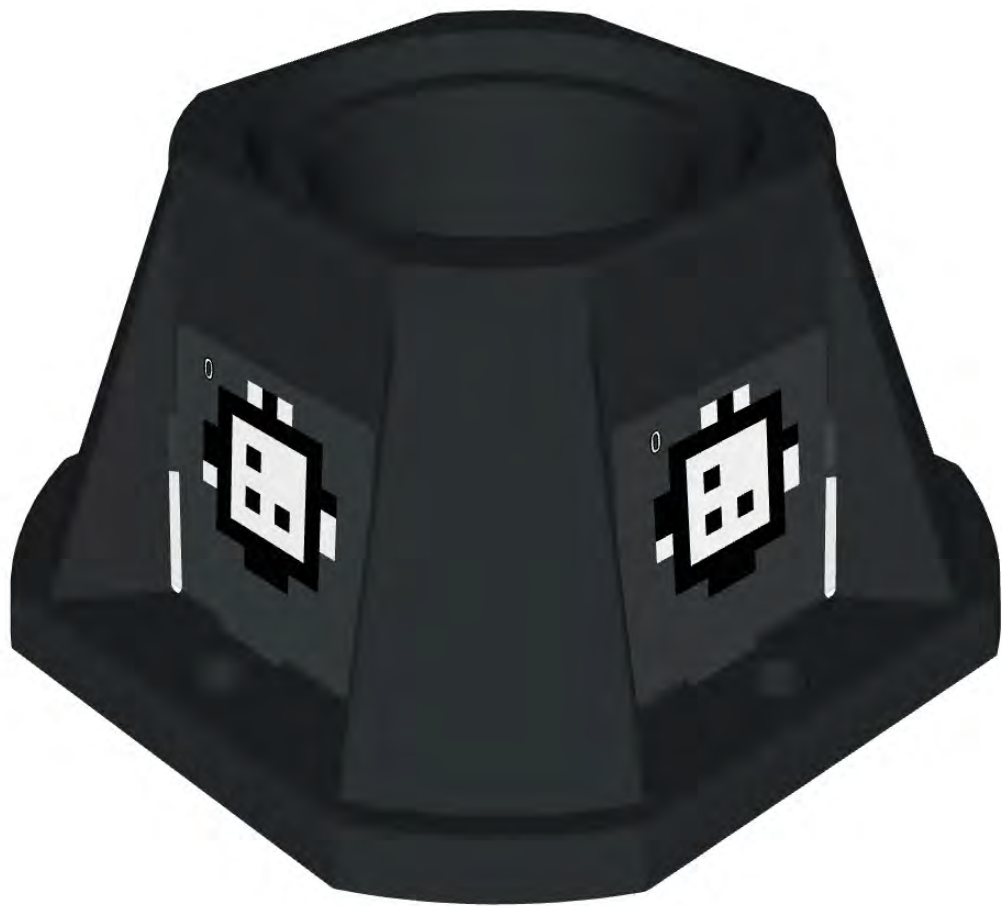


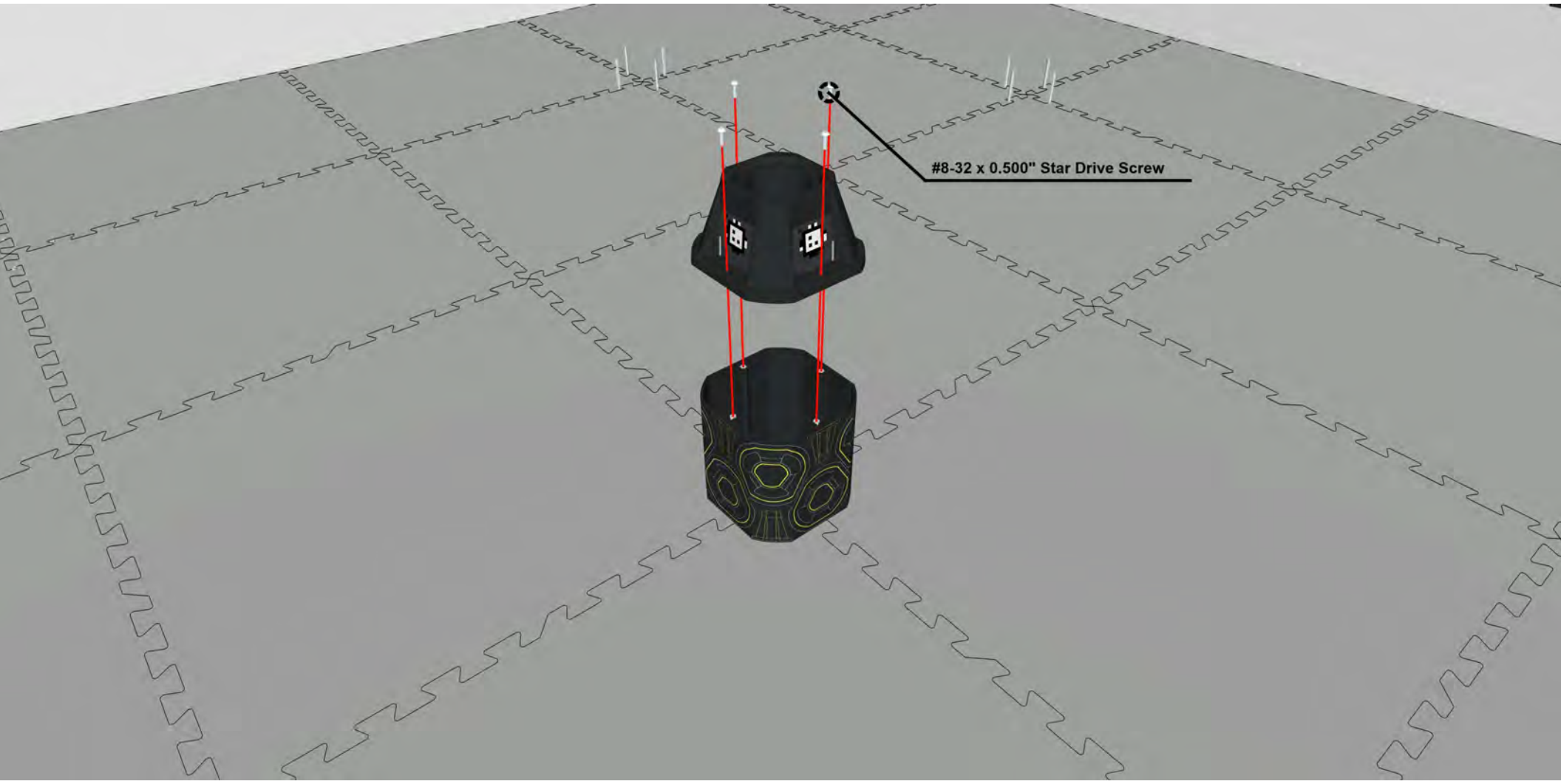


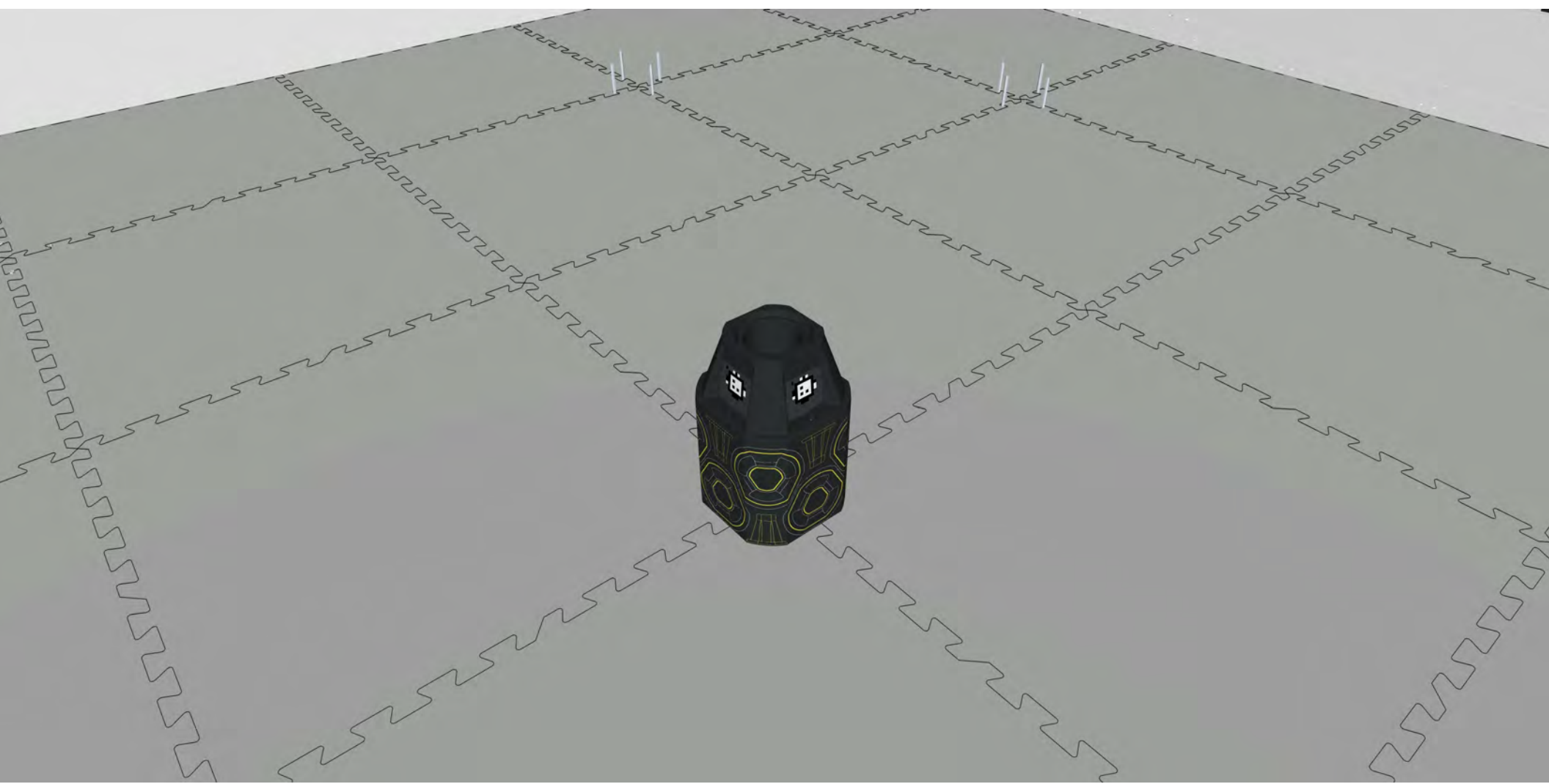


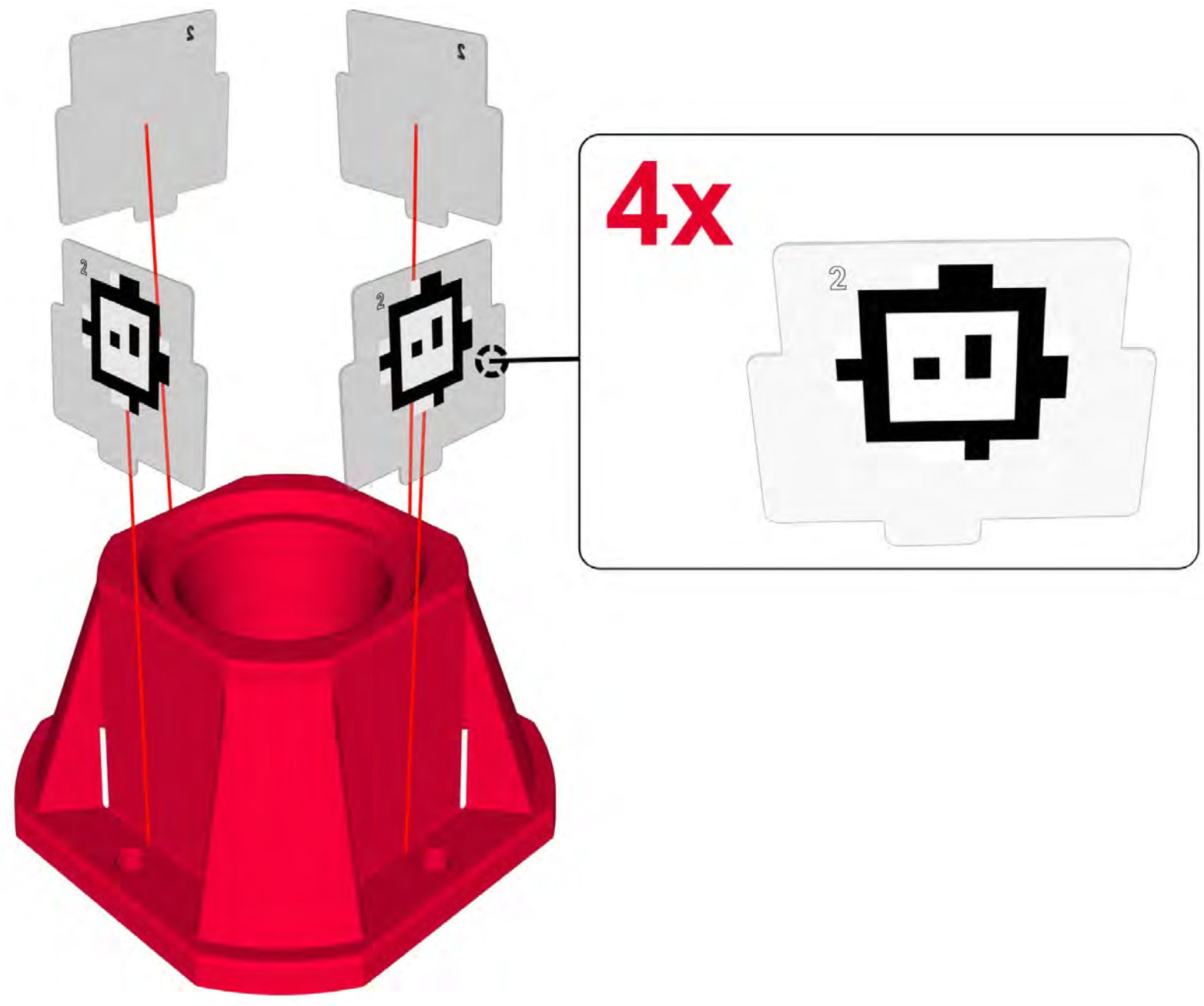


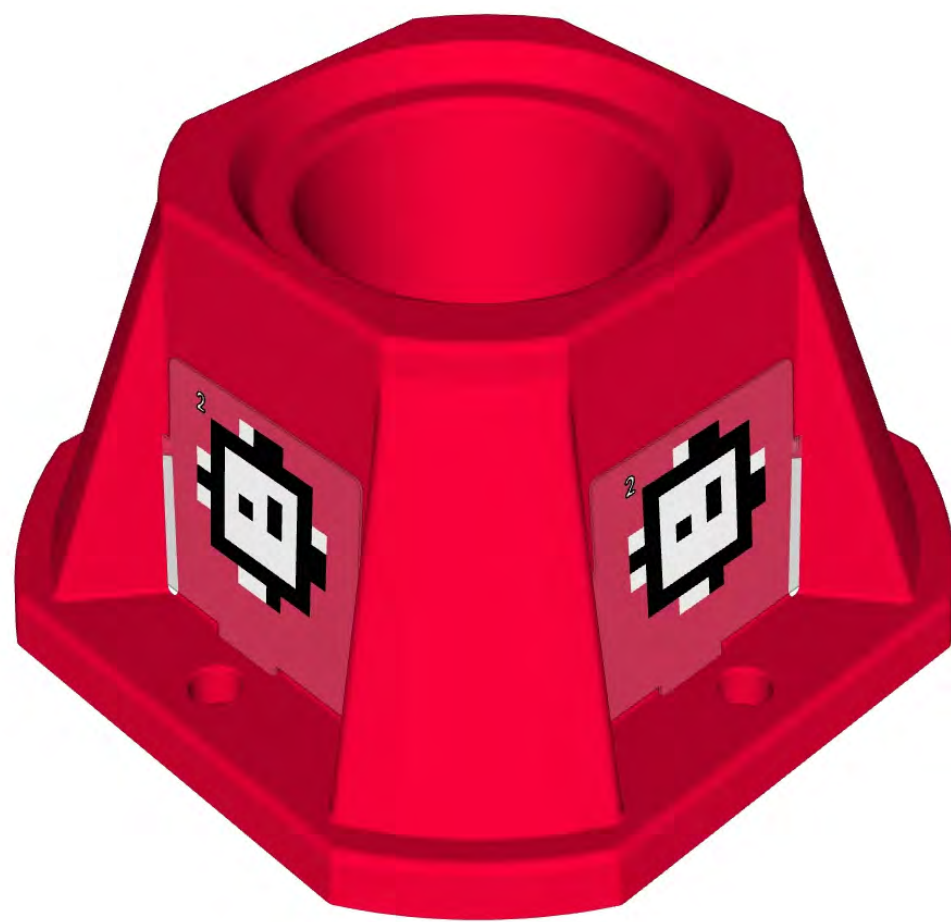


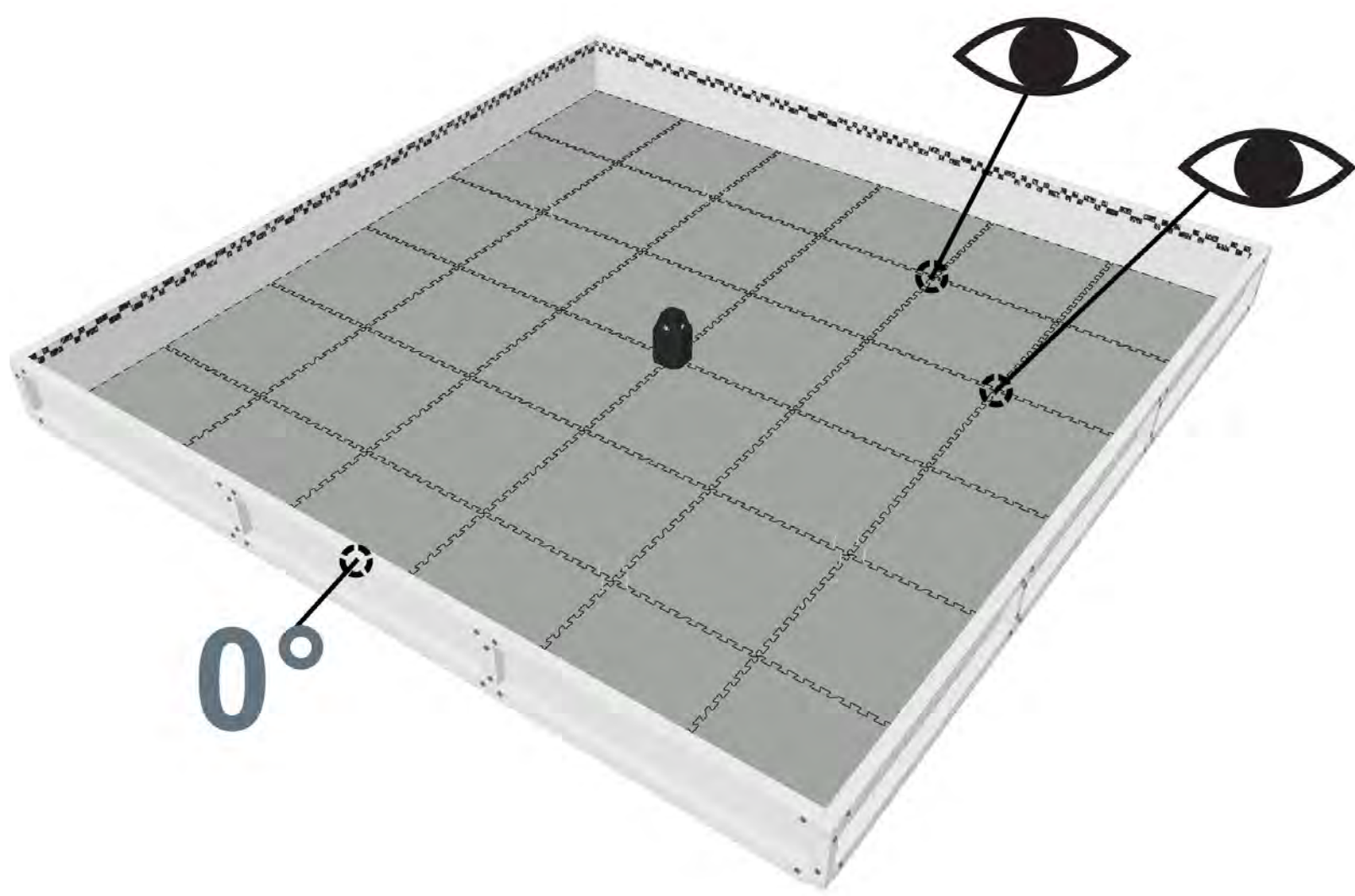




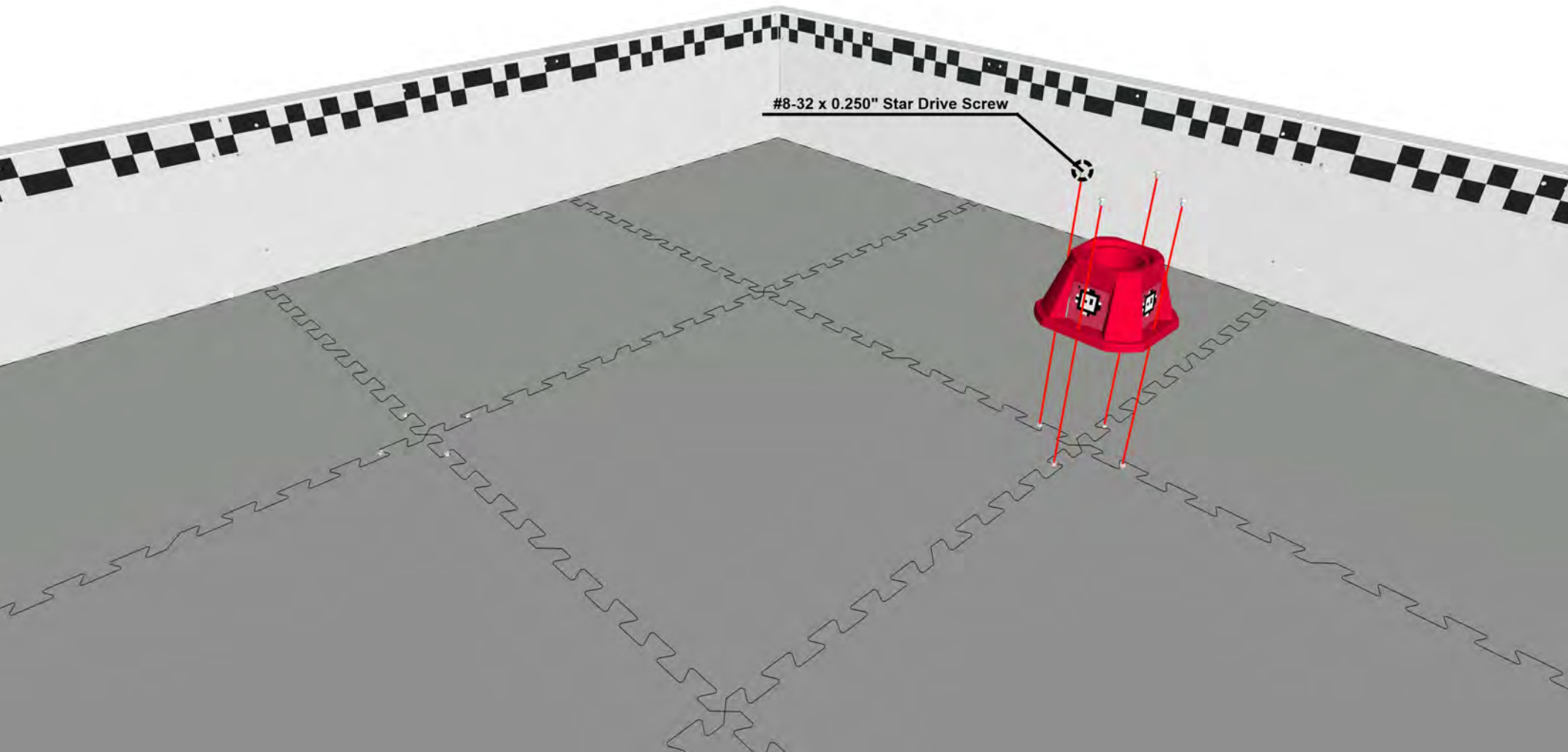




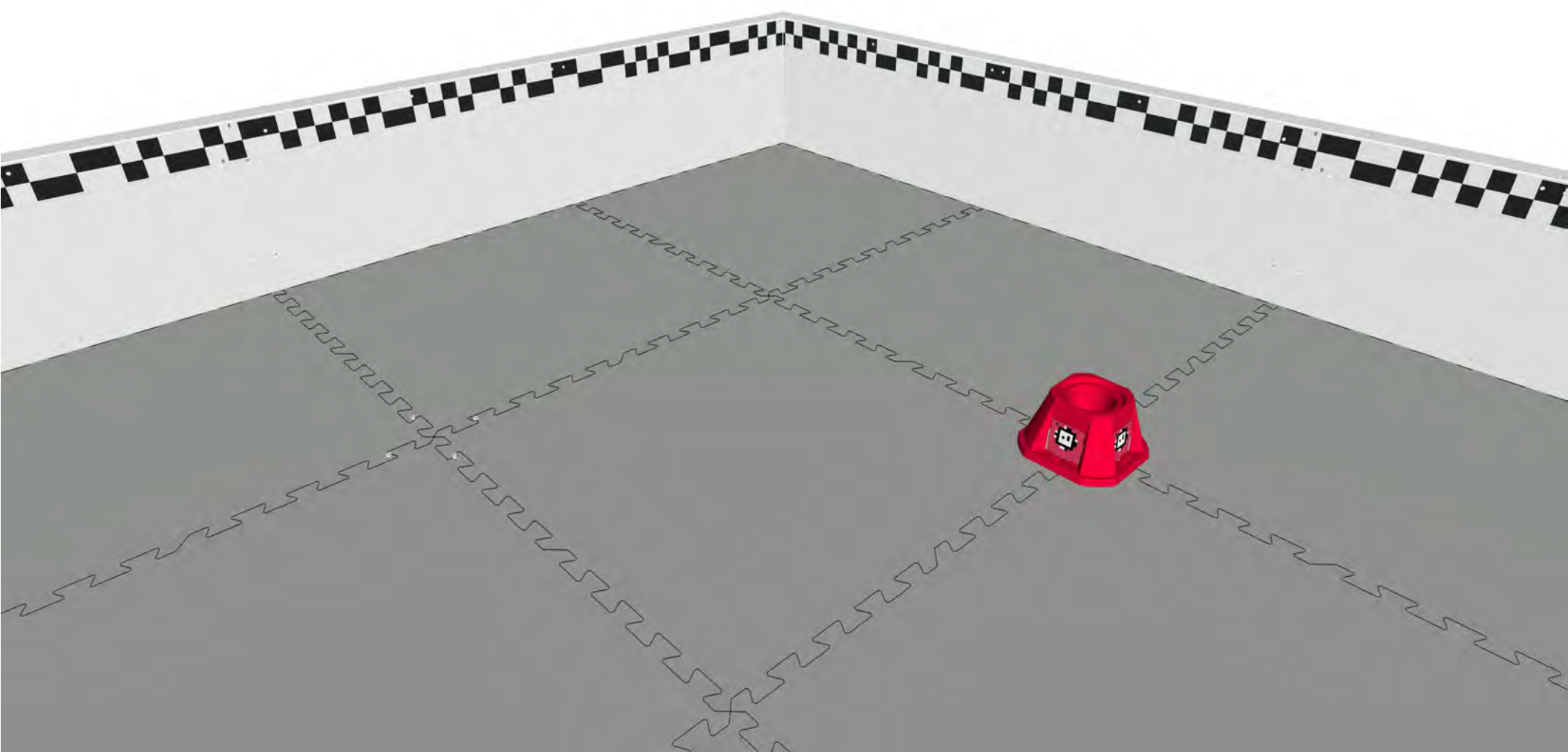


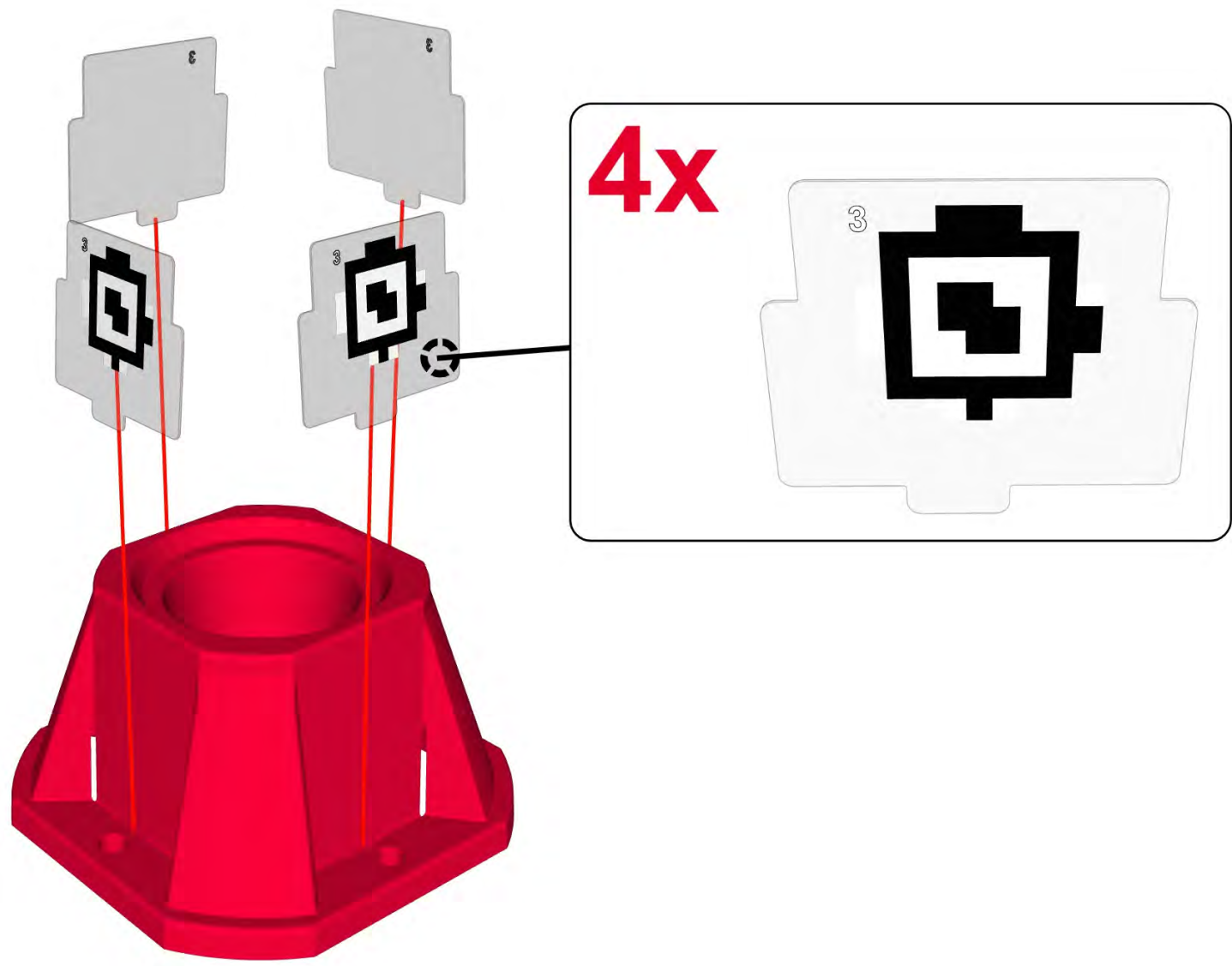


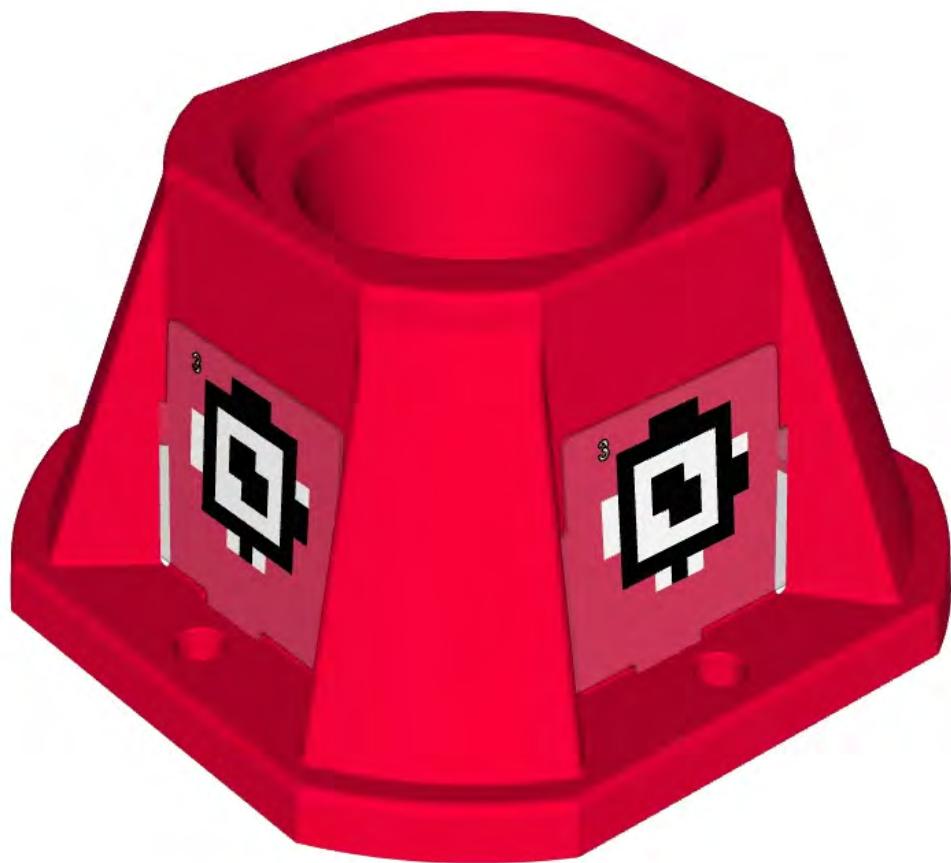
0°

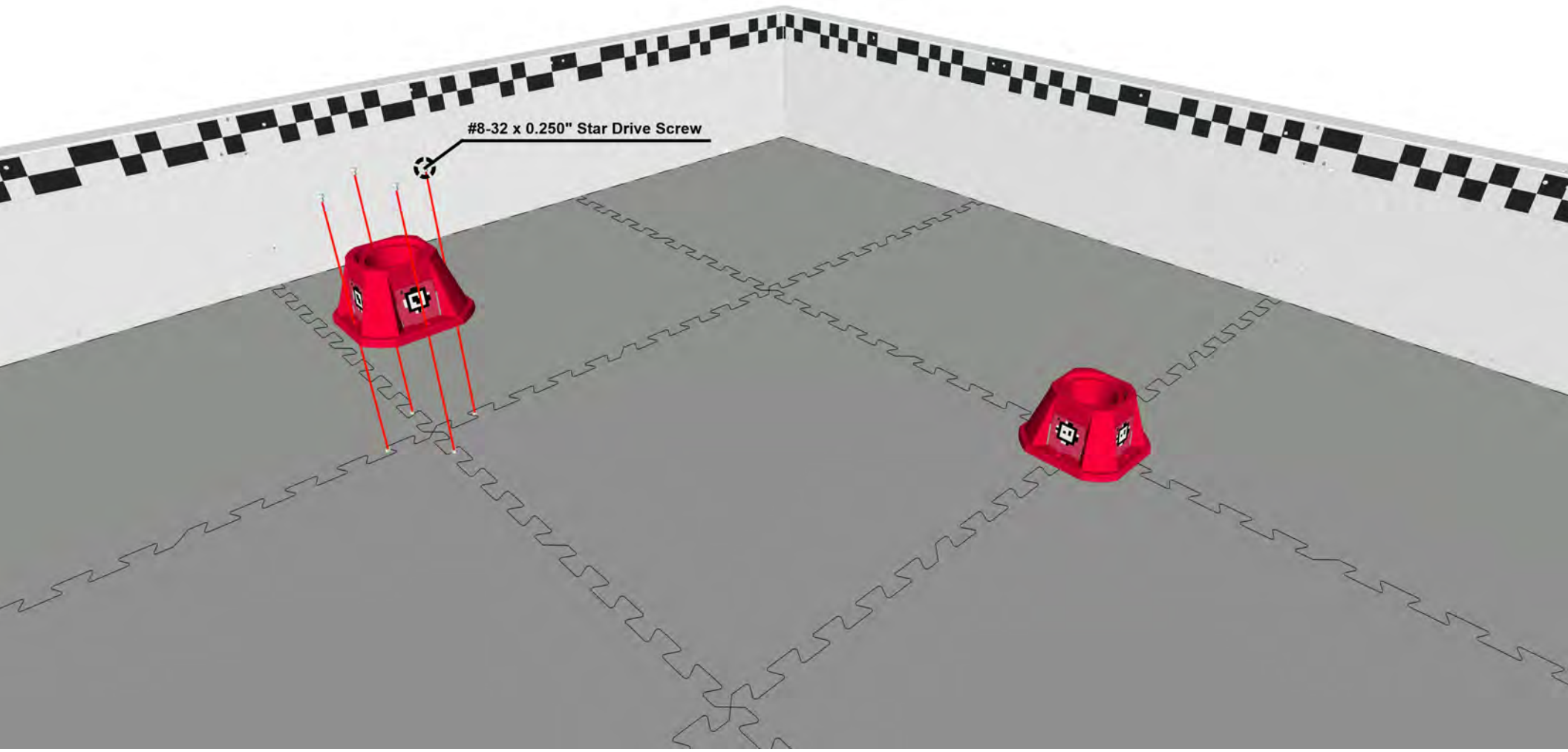


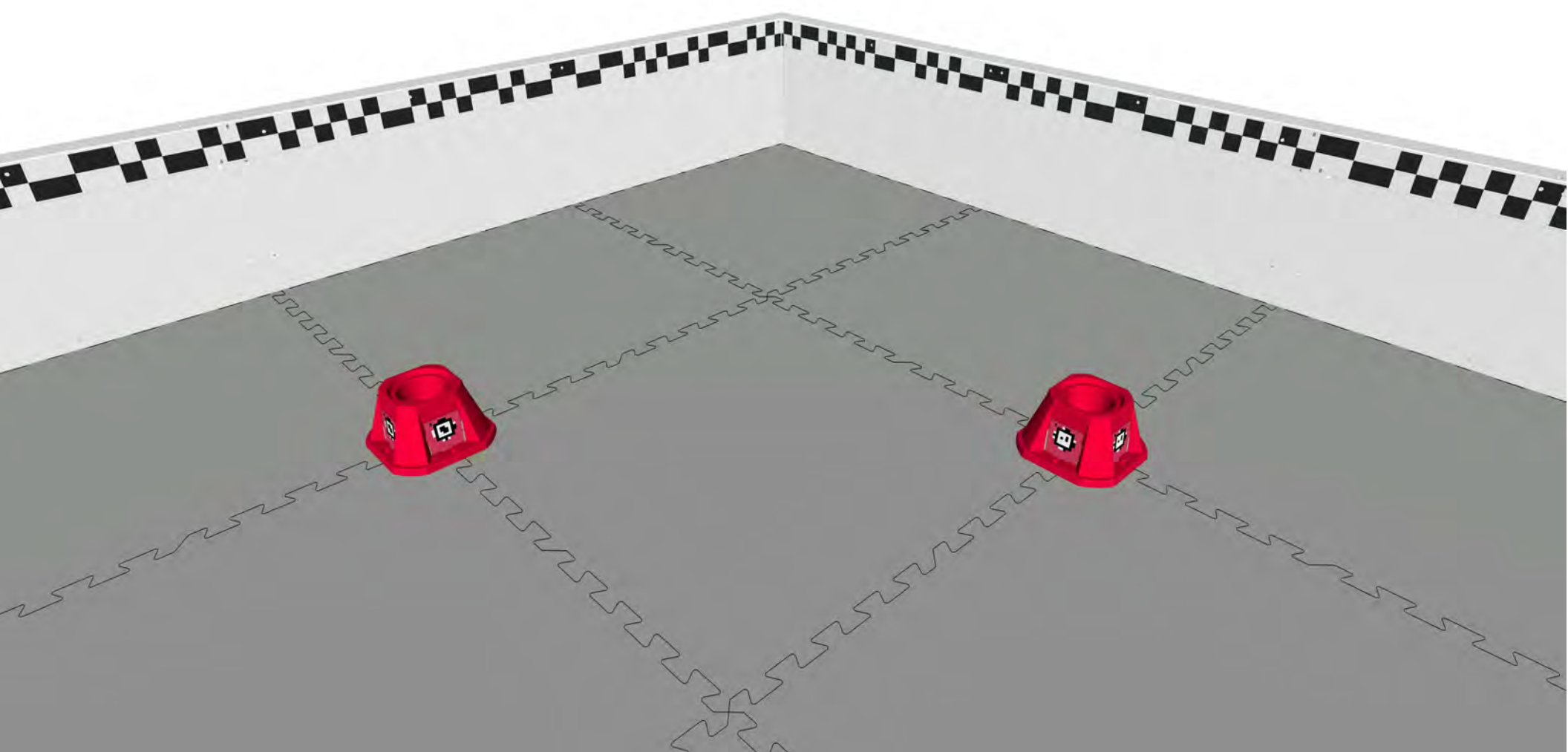
#8-32 x 0.250" Star Drive Screw

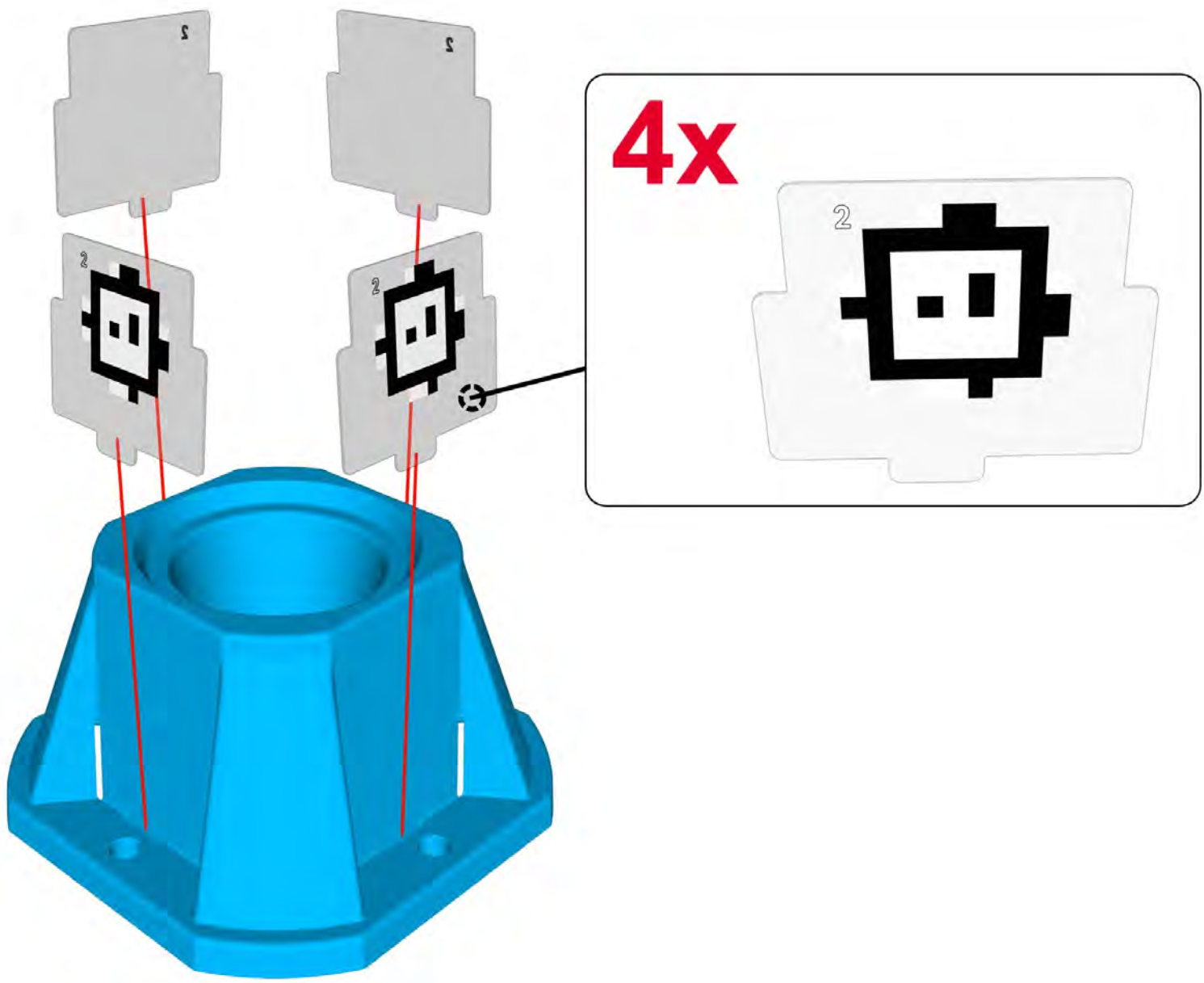


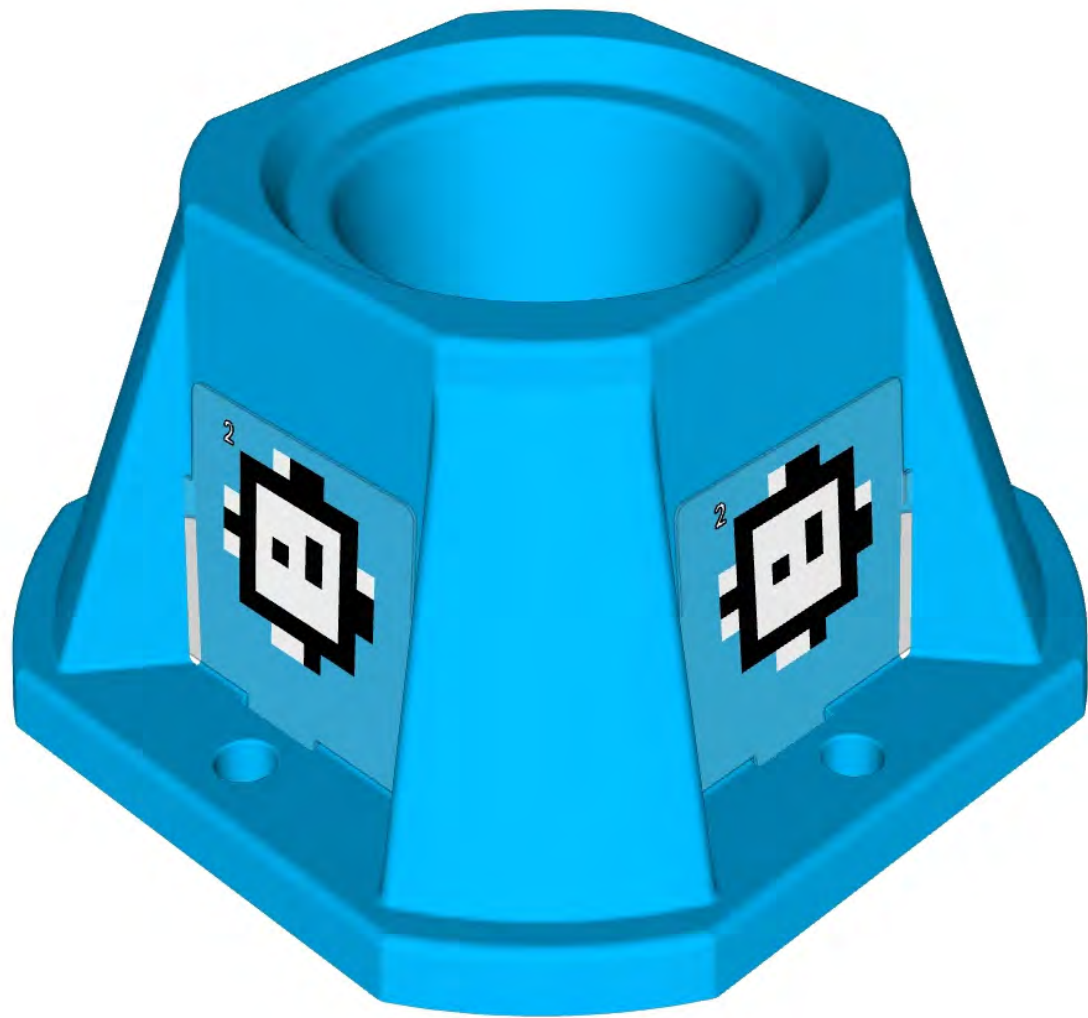


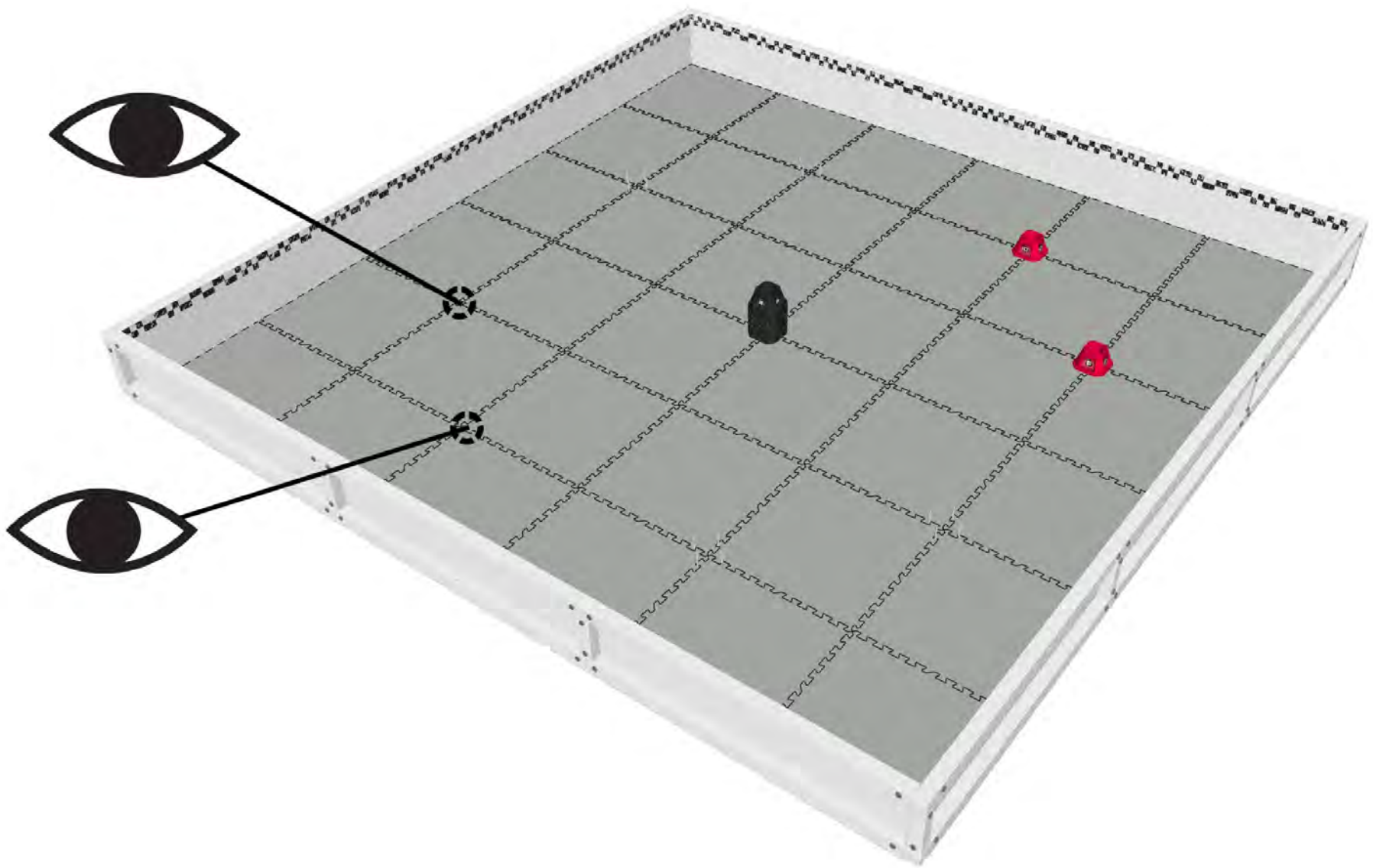


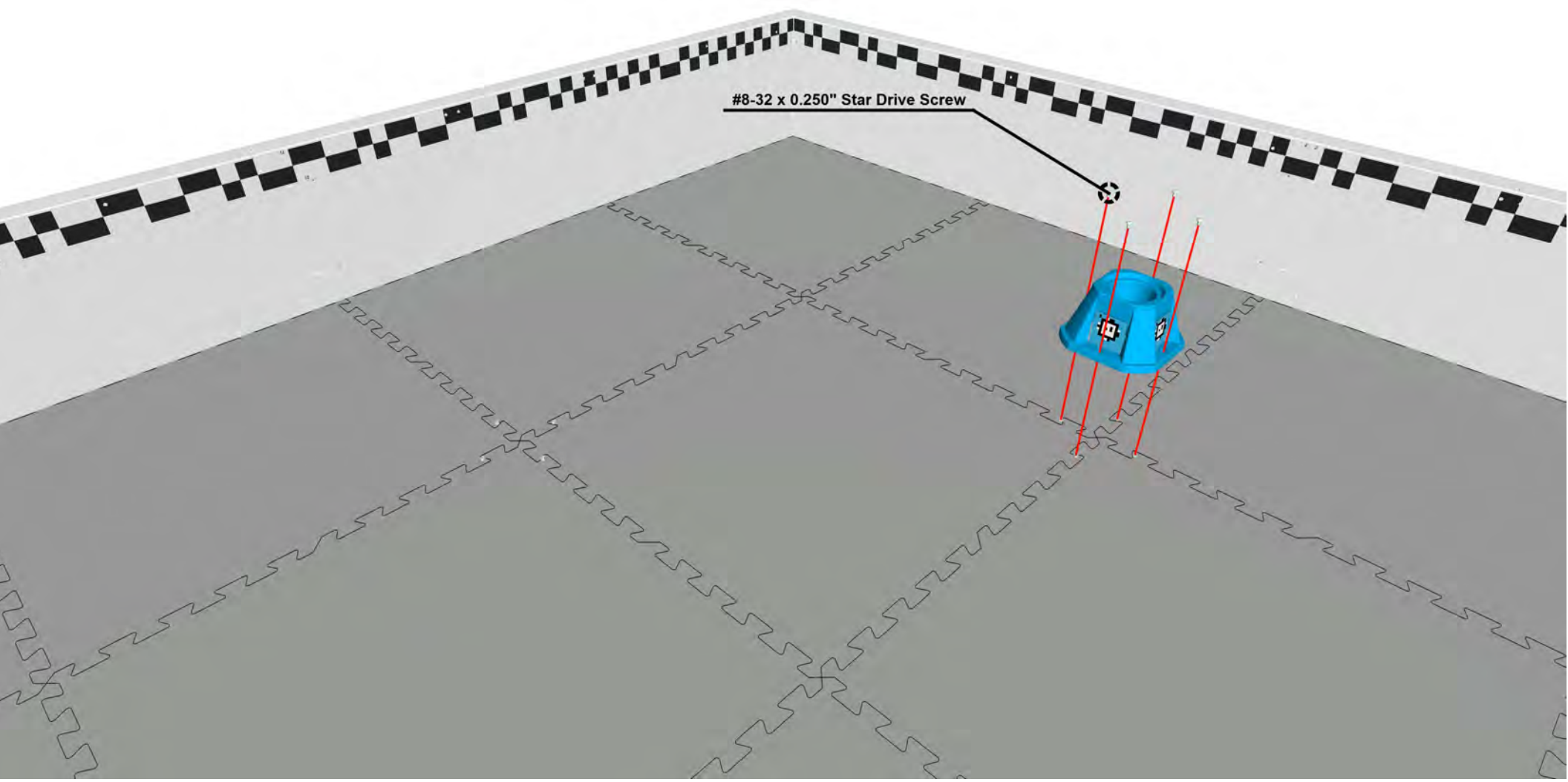




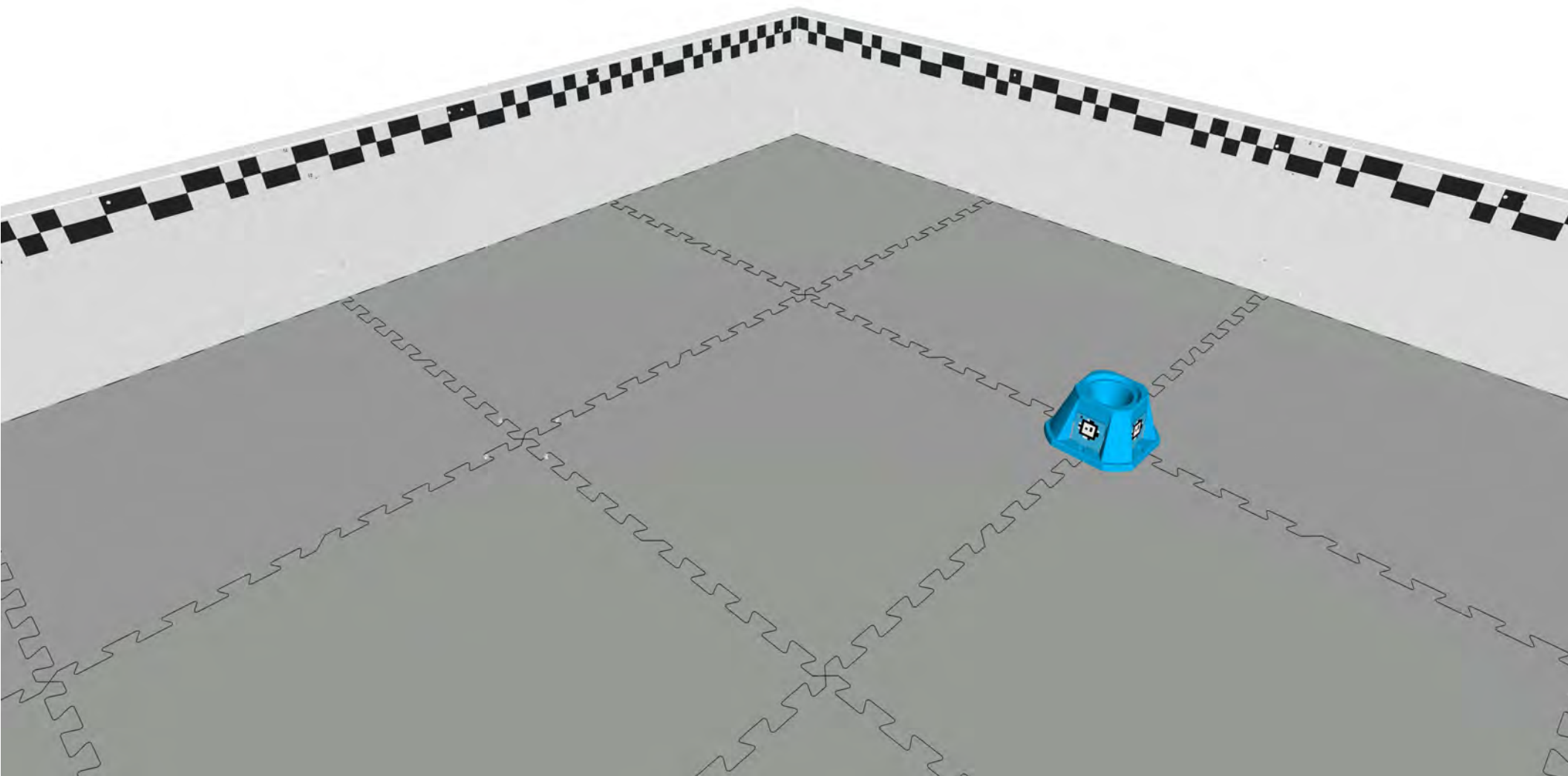


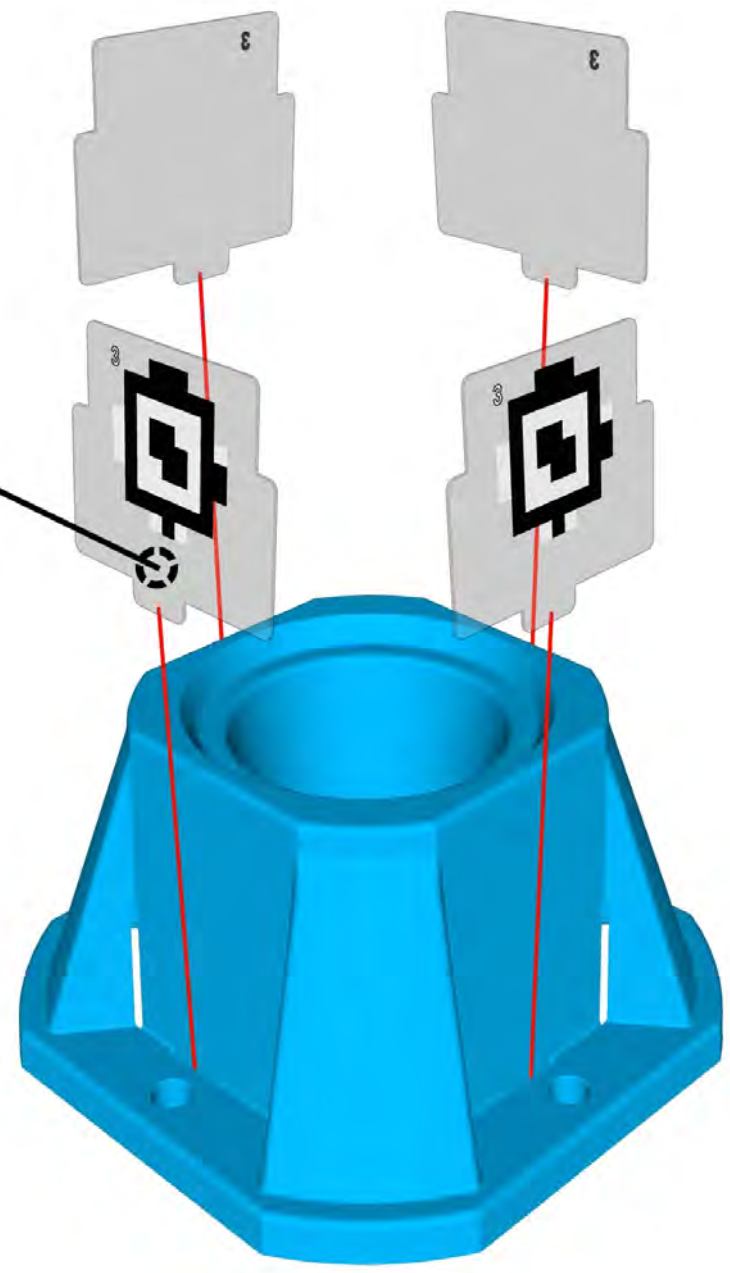
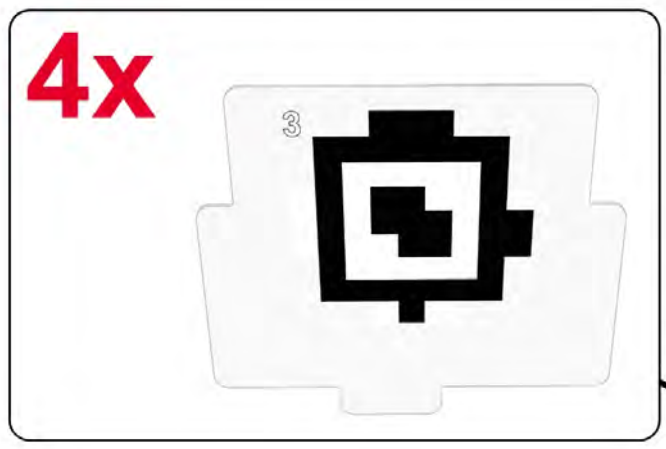


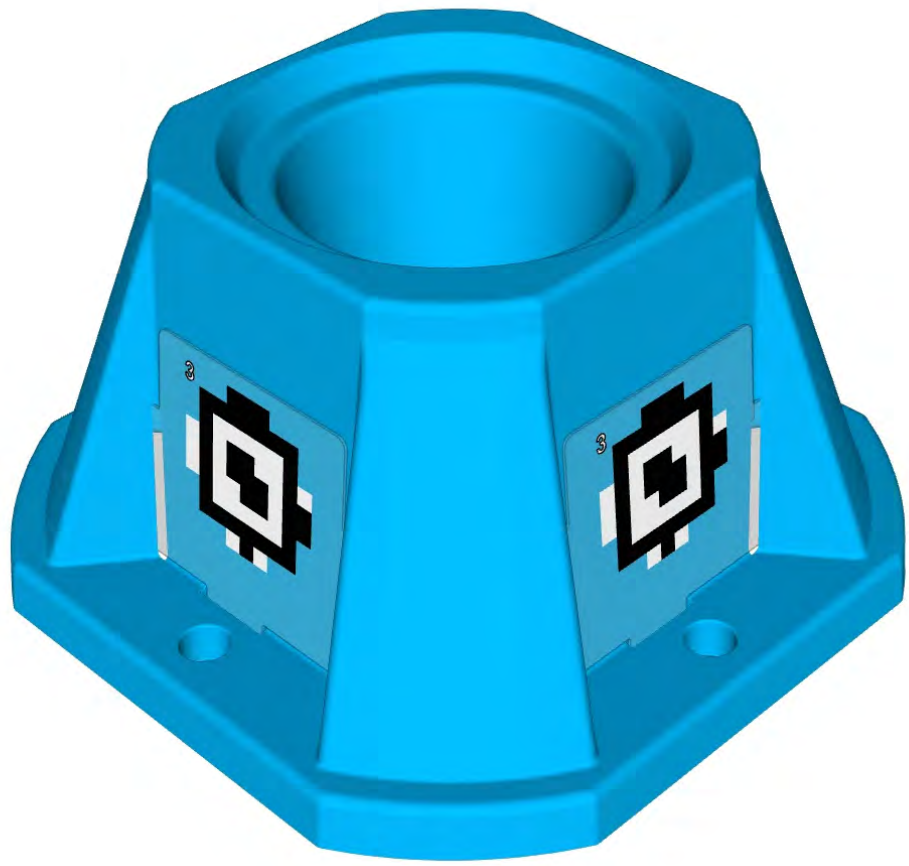


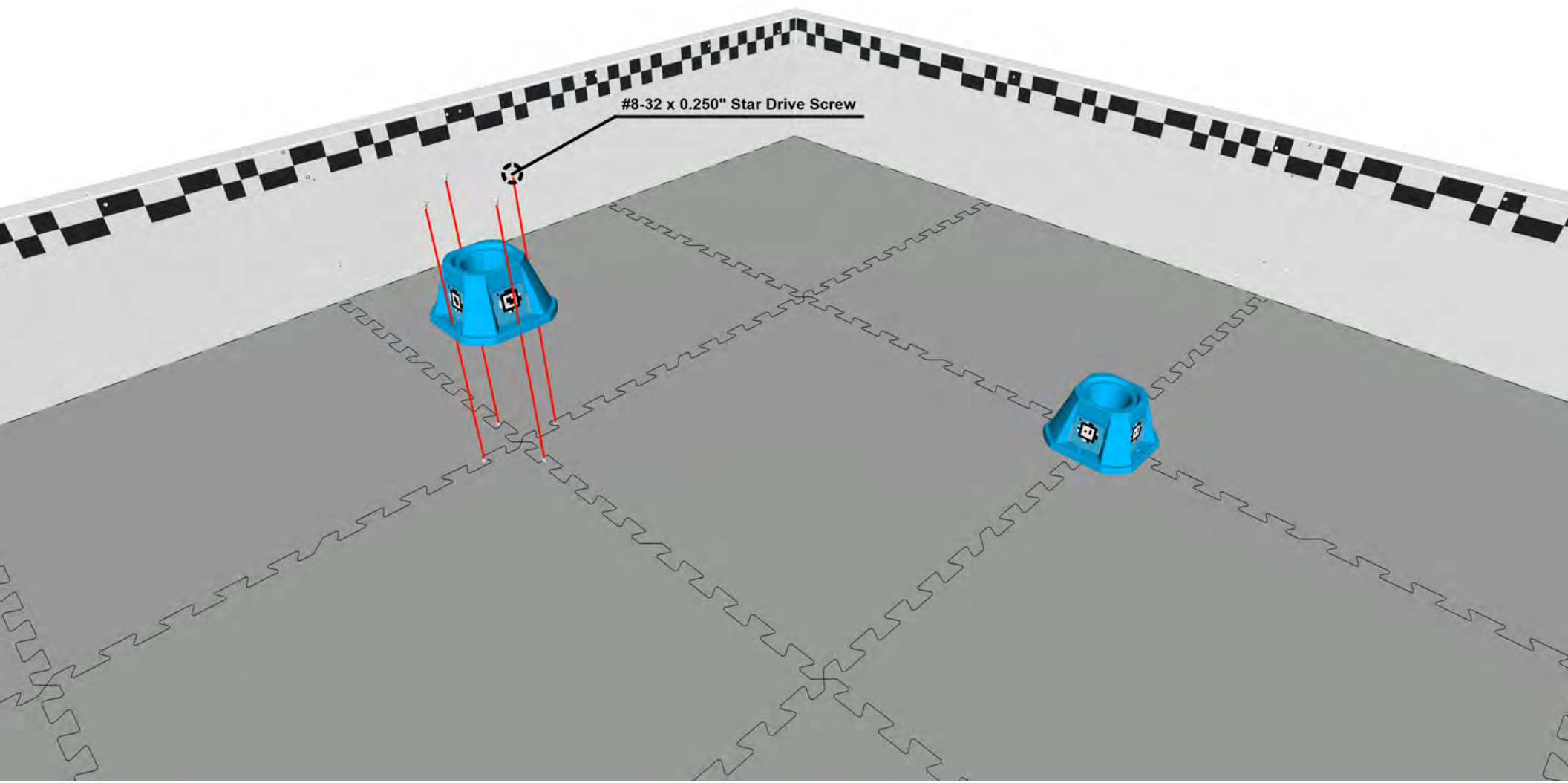


#8-32 x 0.250" Star Drive Screw

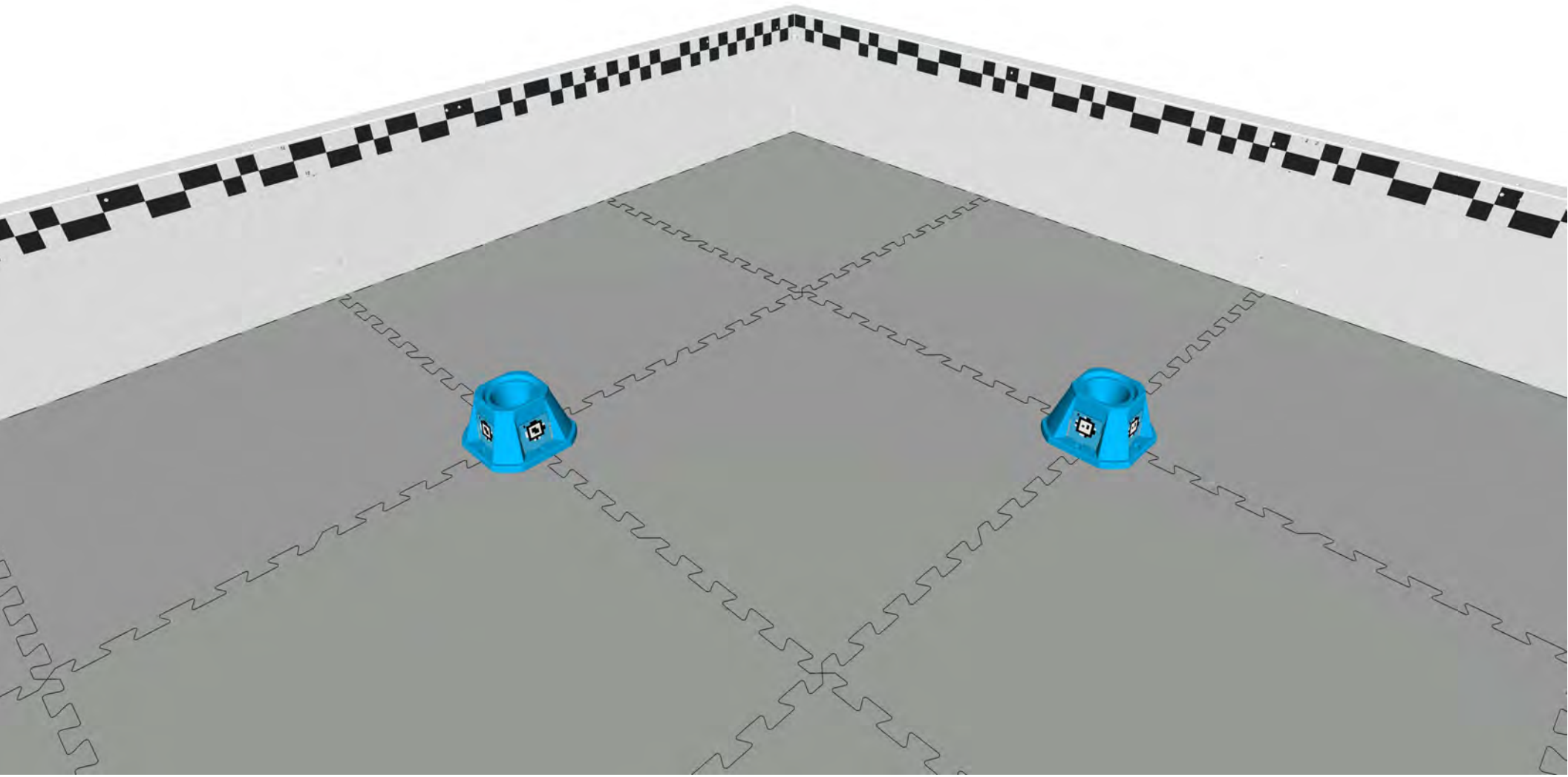


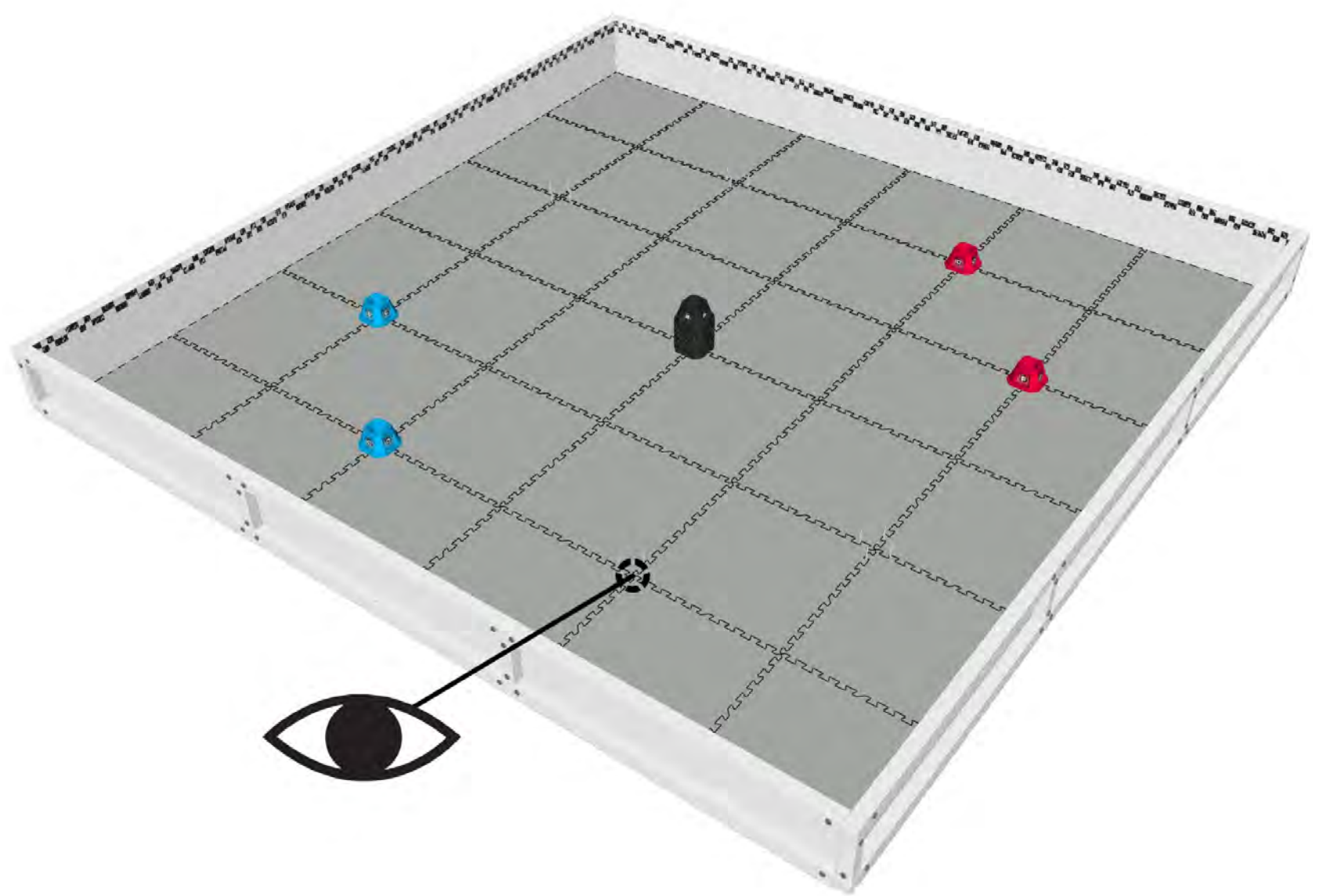


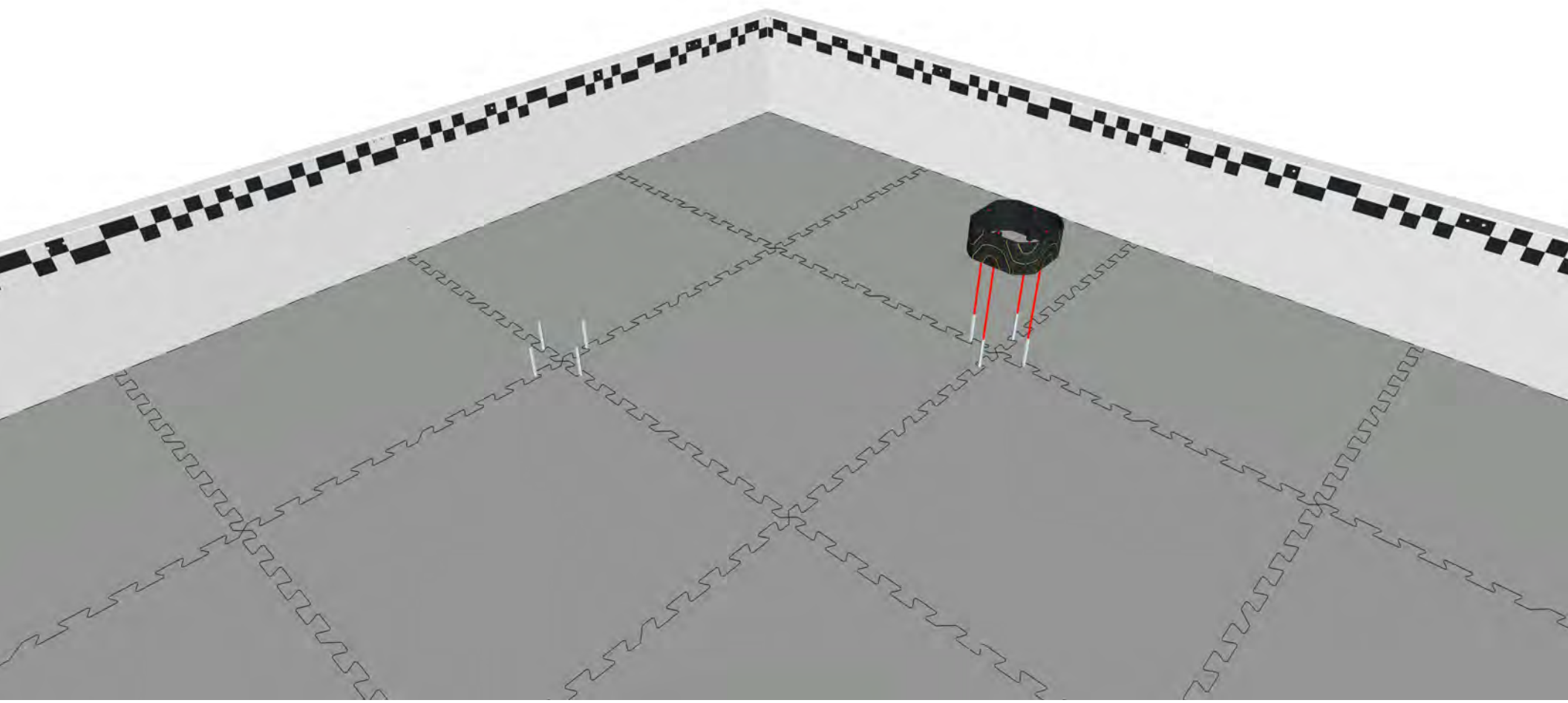


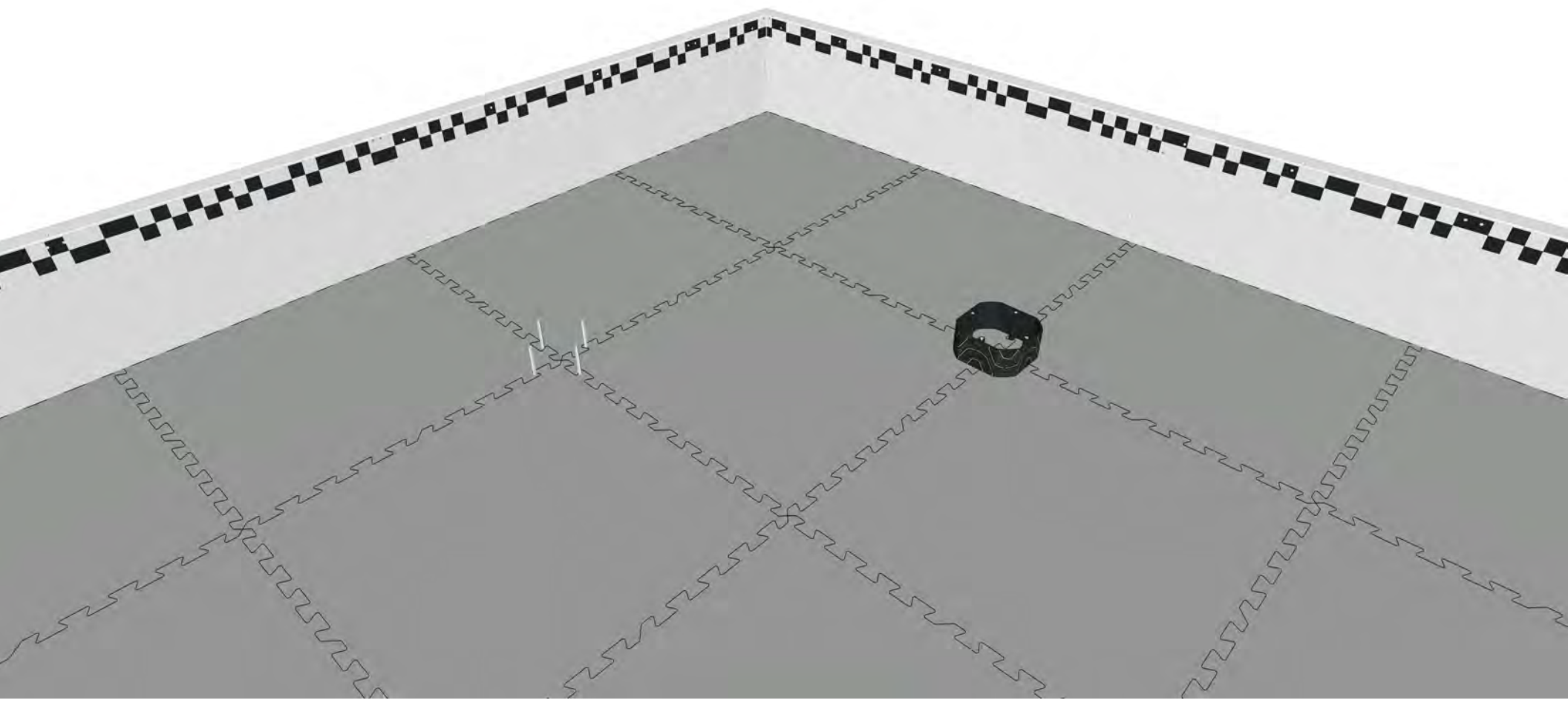


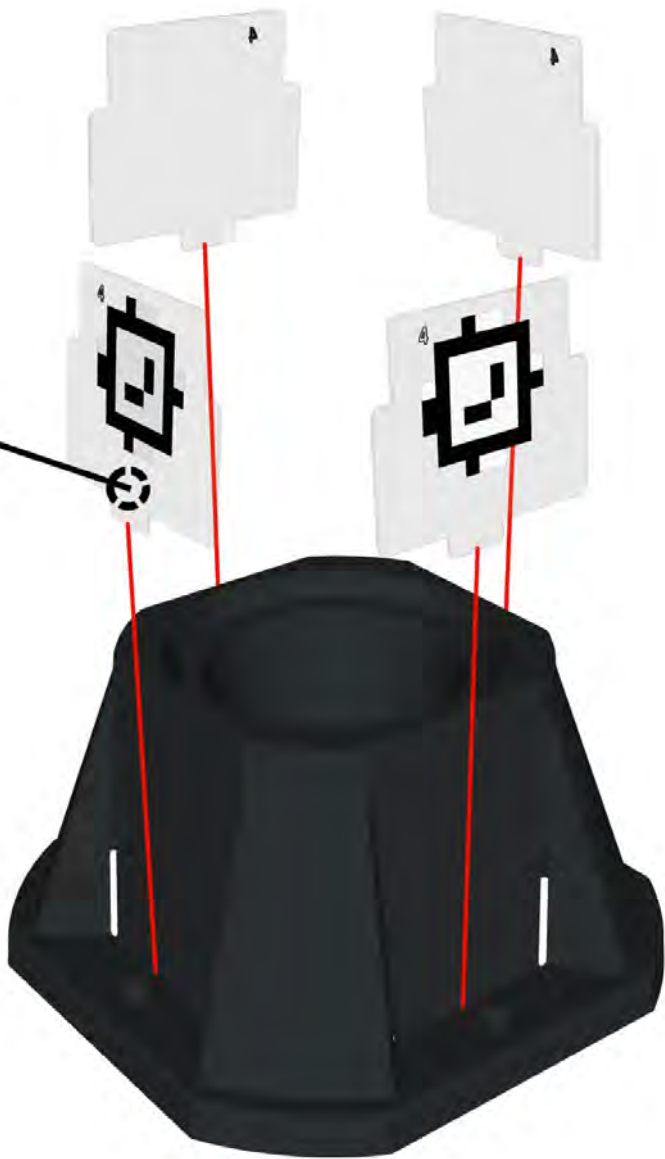
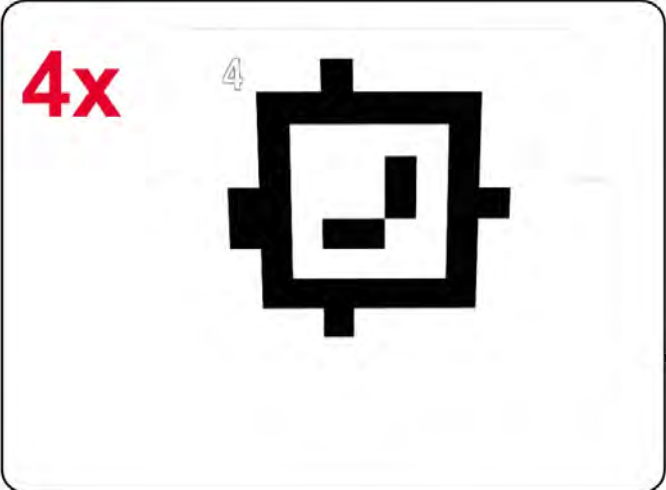
#8-32 x 0.250" Star Drive Screw







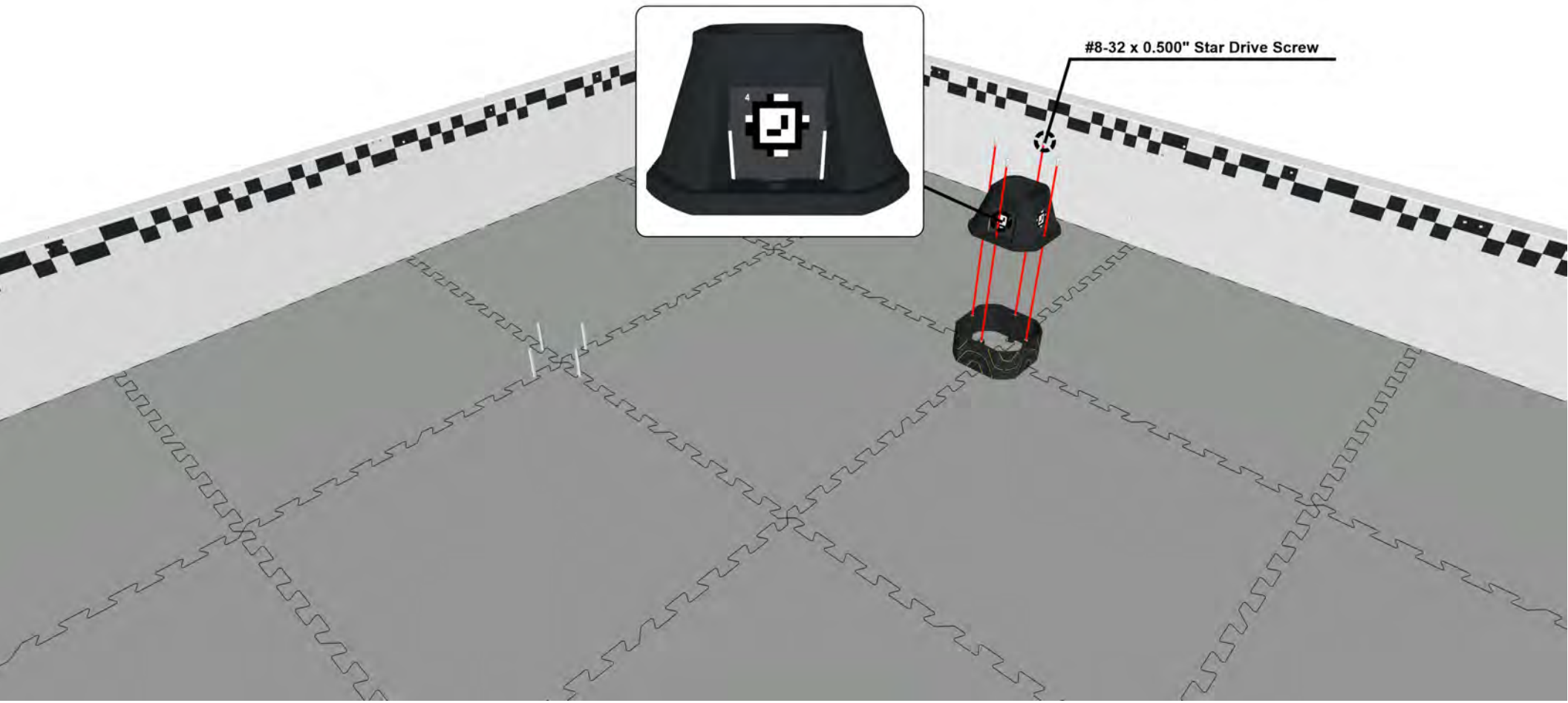




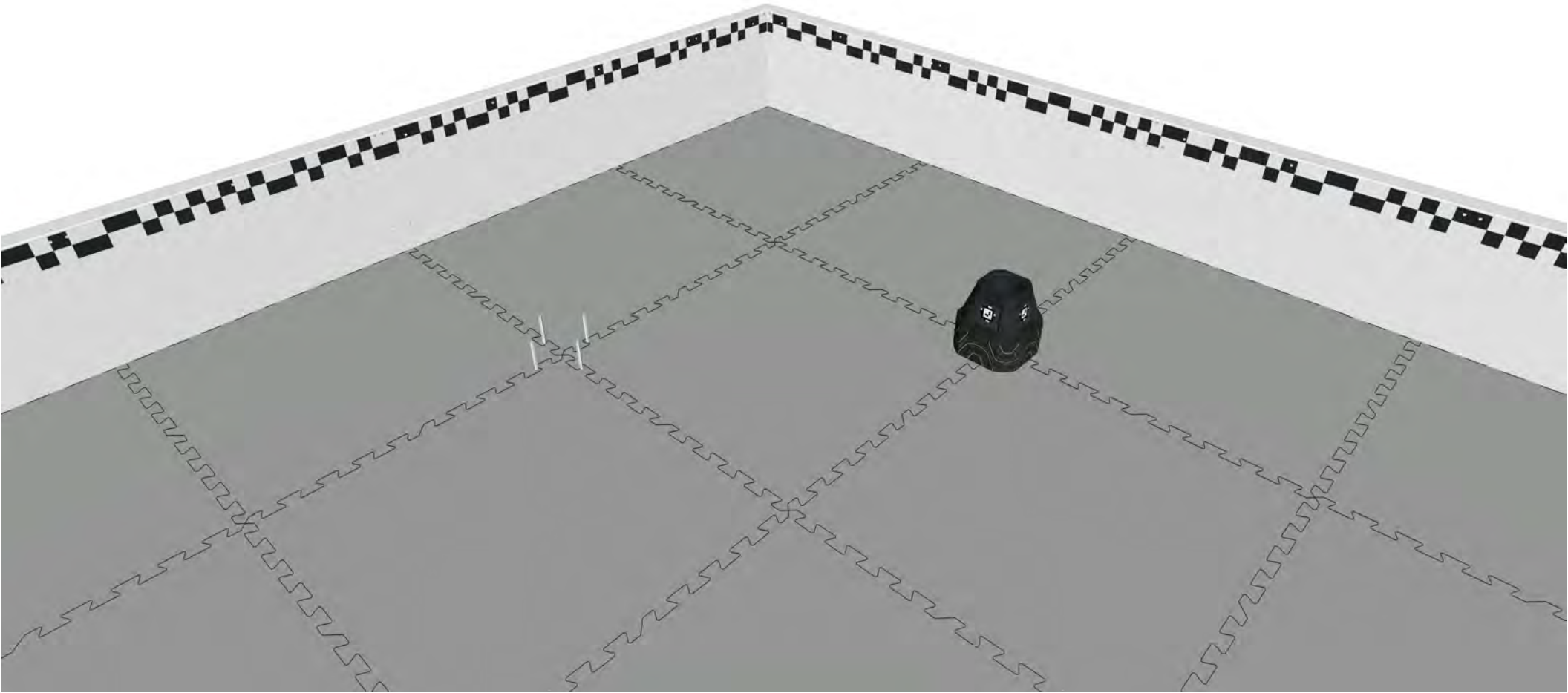
2x

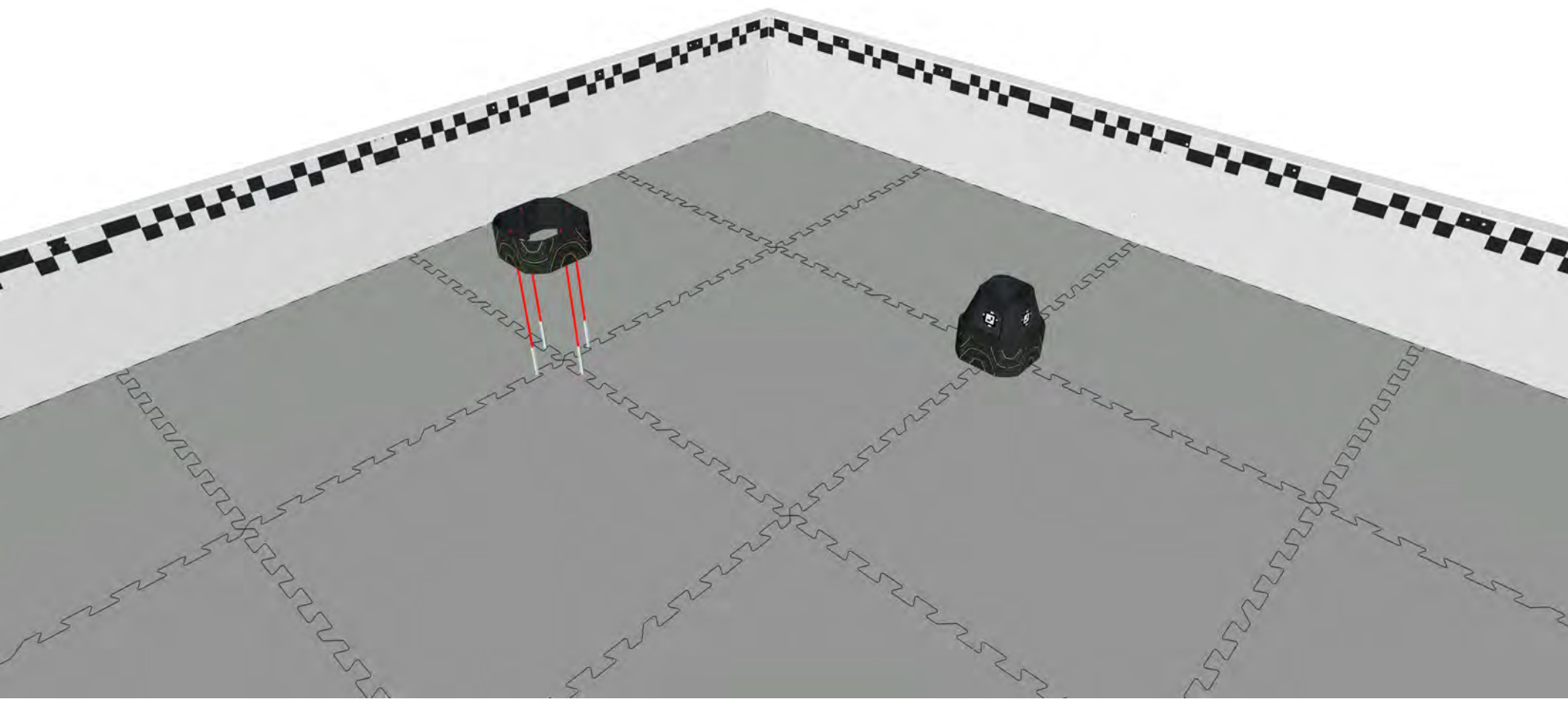
2x

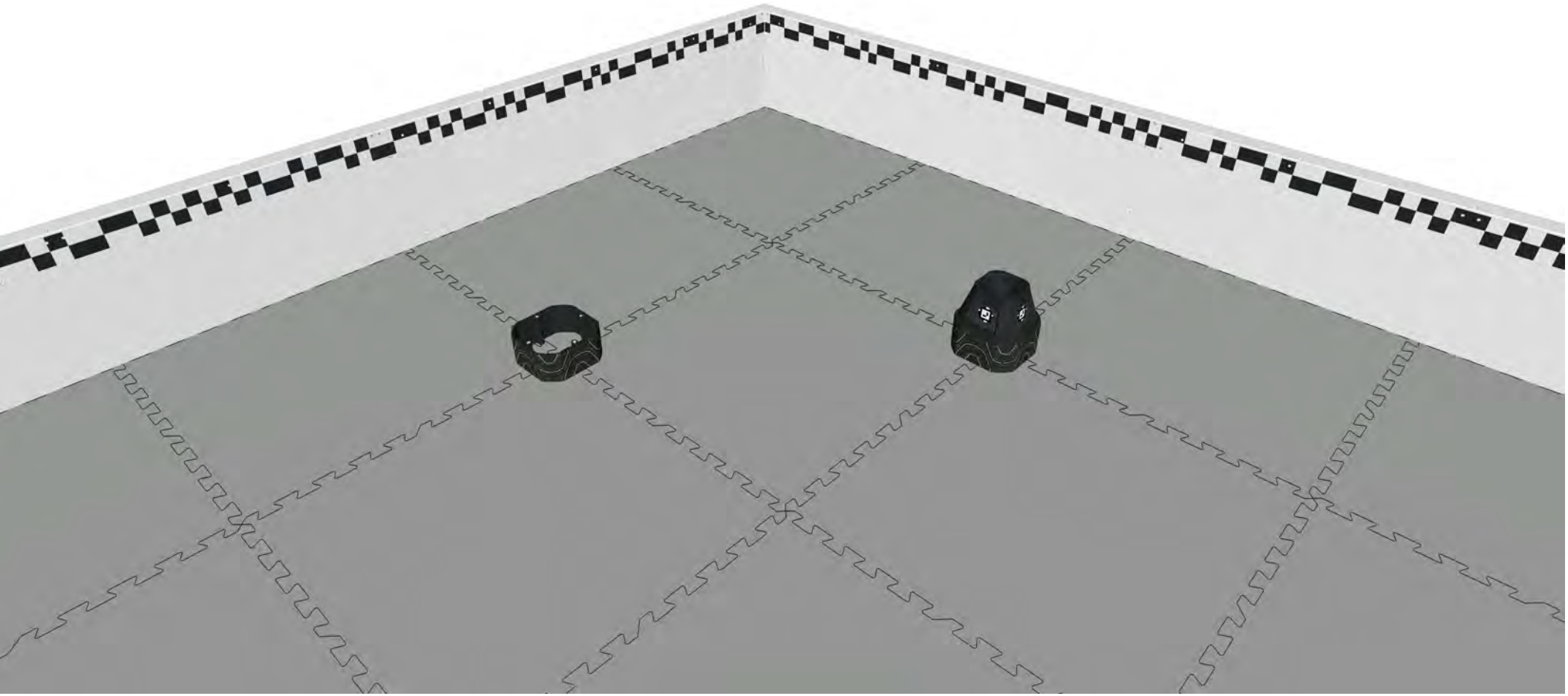


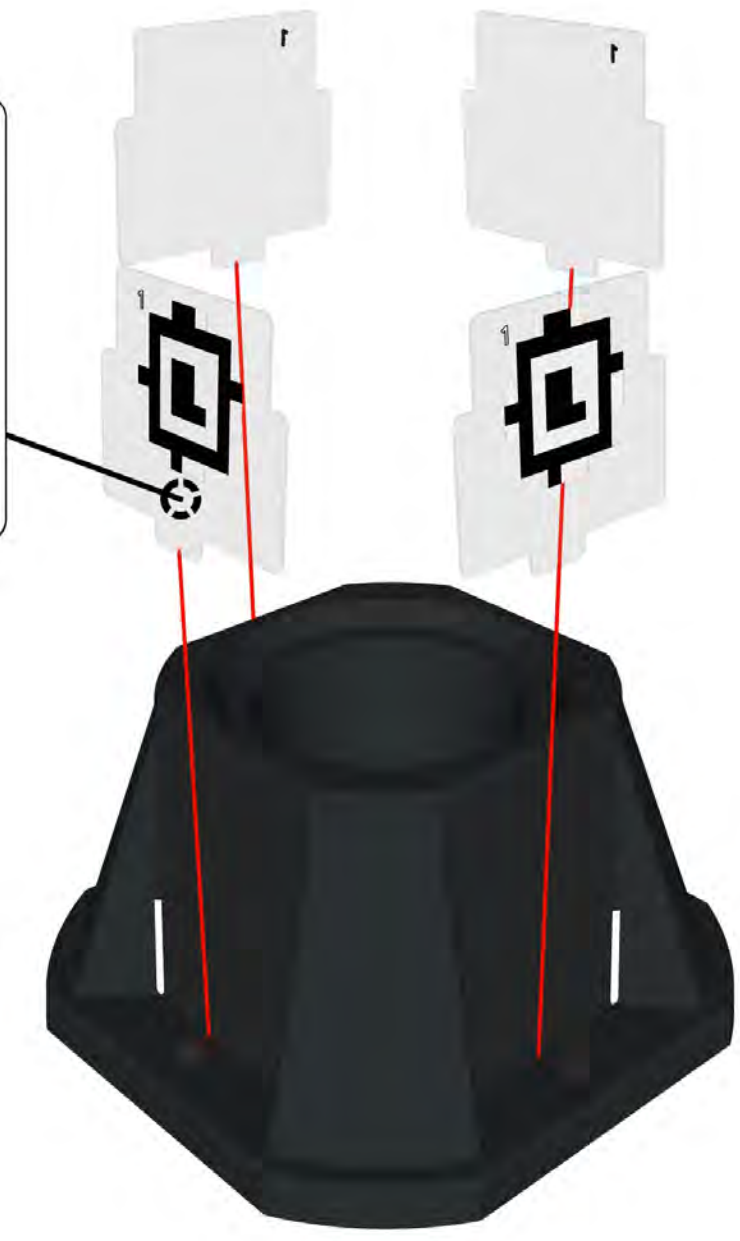
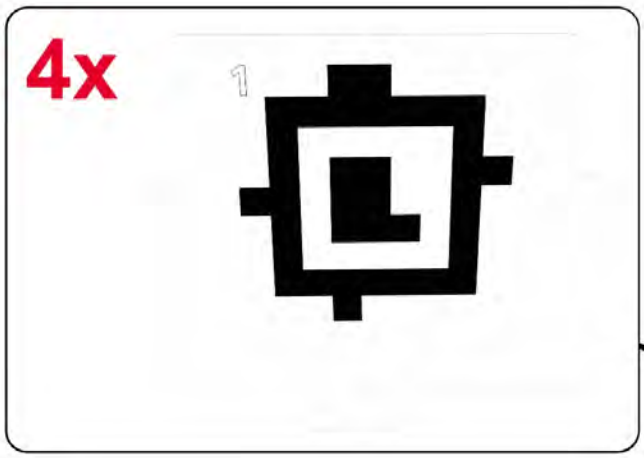


#8-32 x 0.500" Star Drive Screw





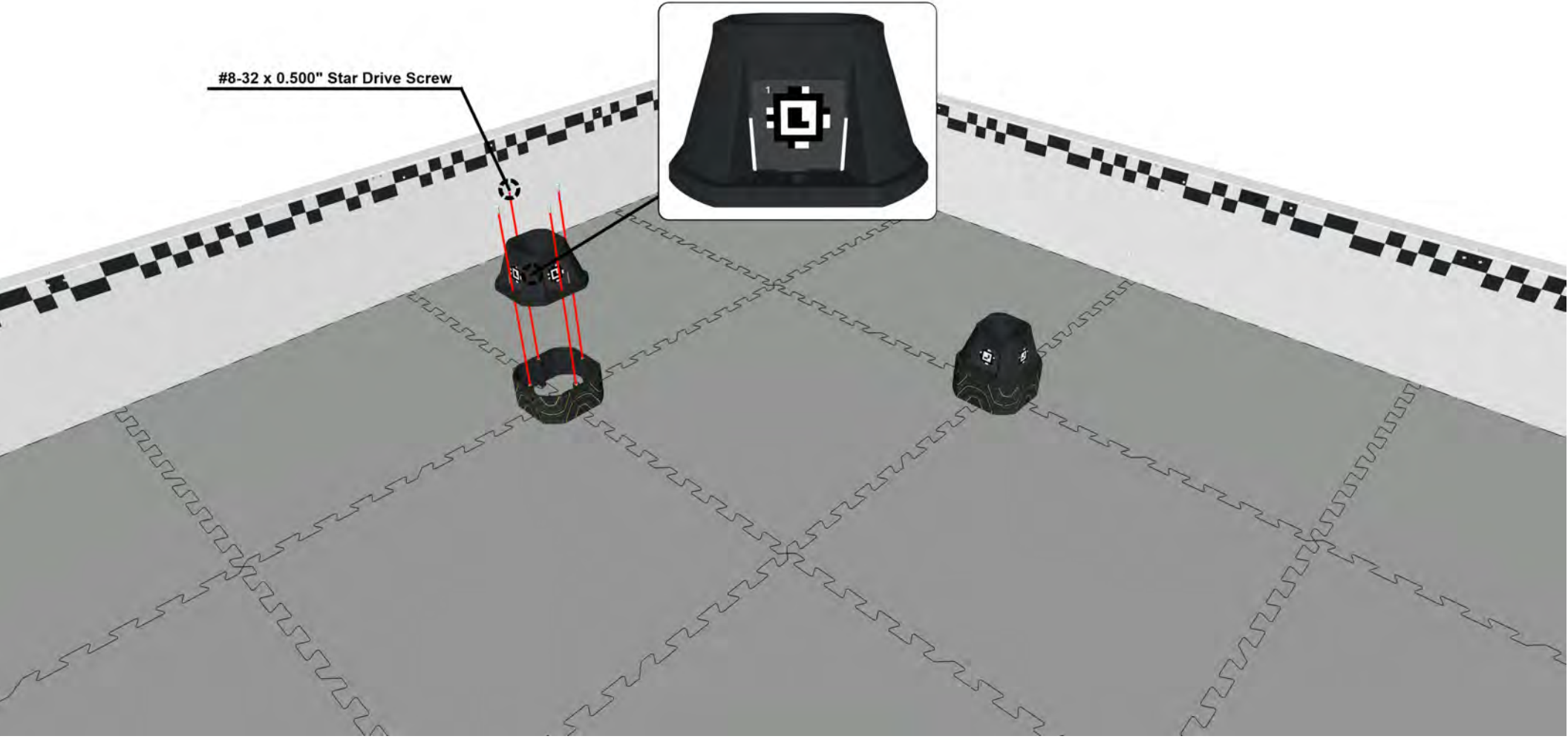


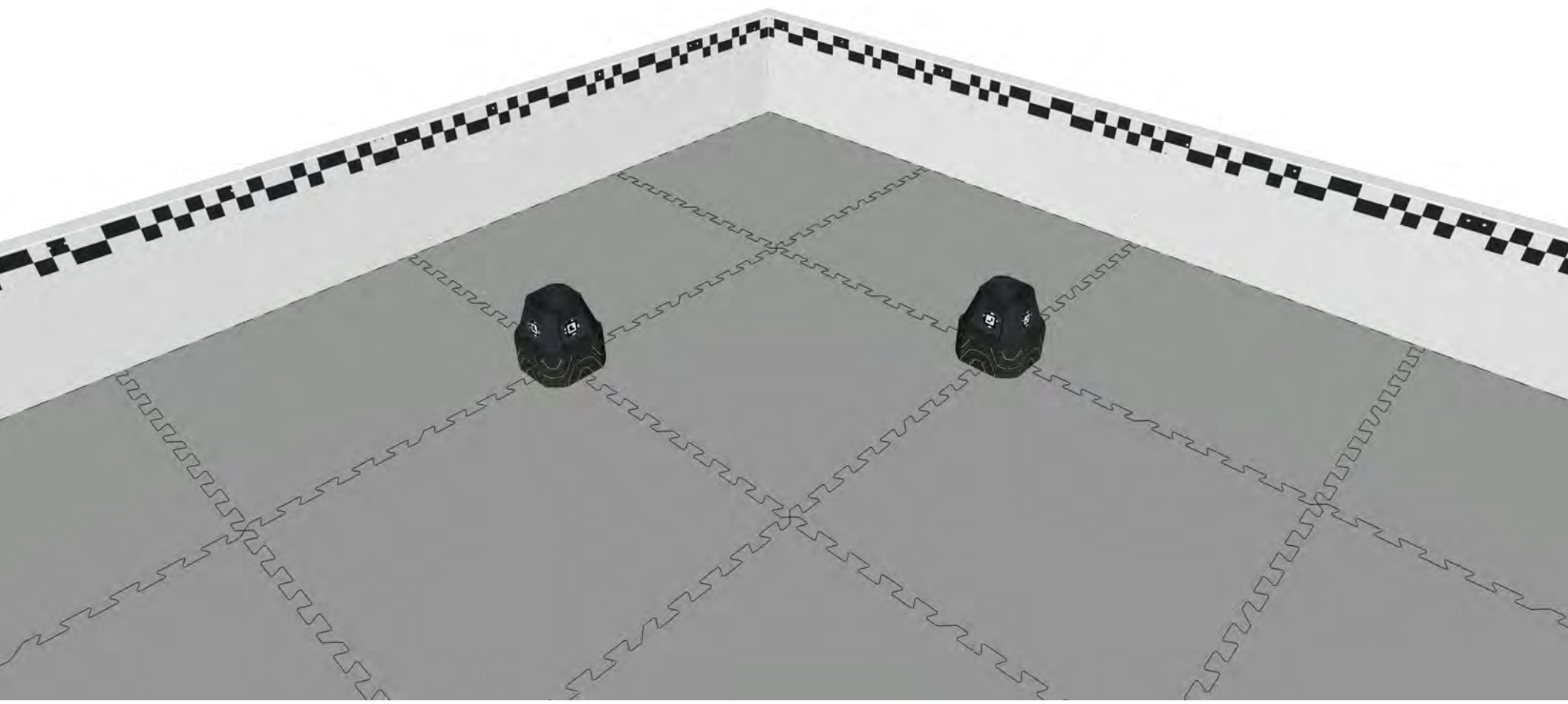


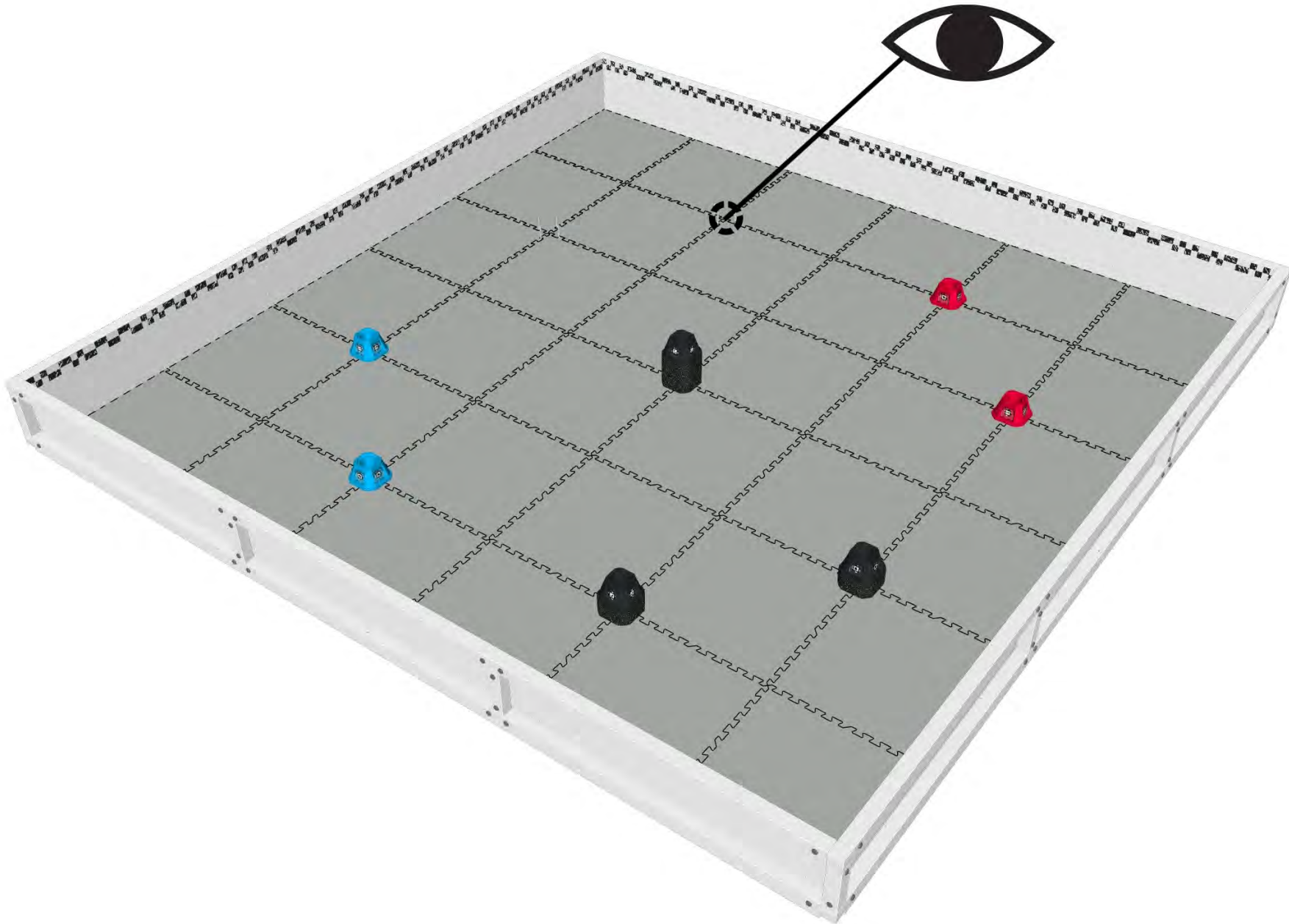
2x

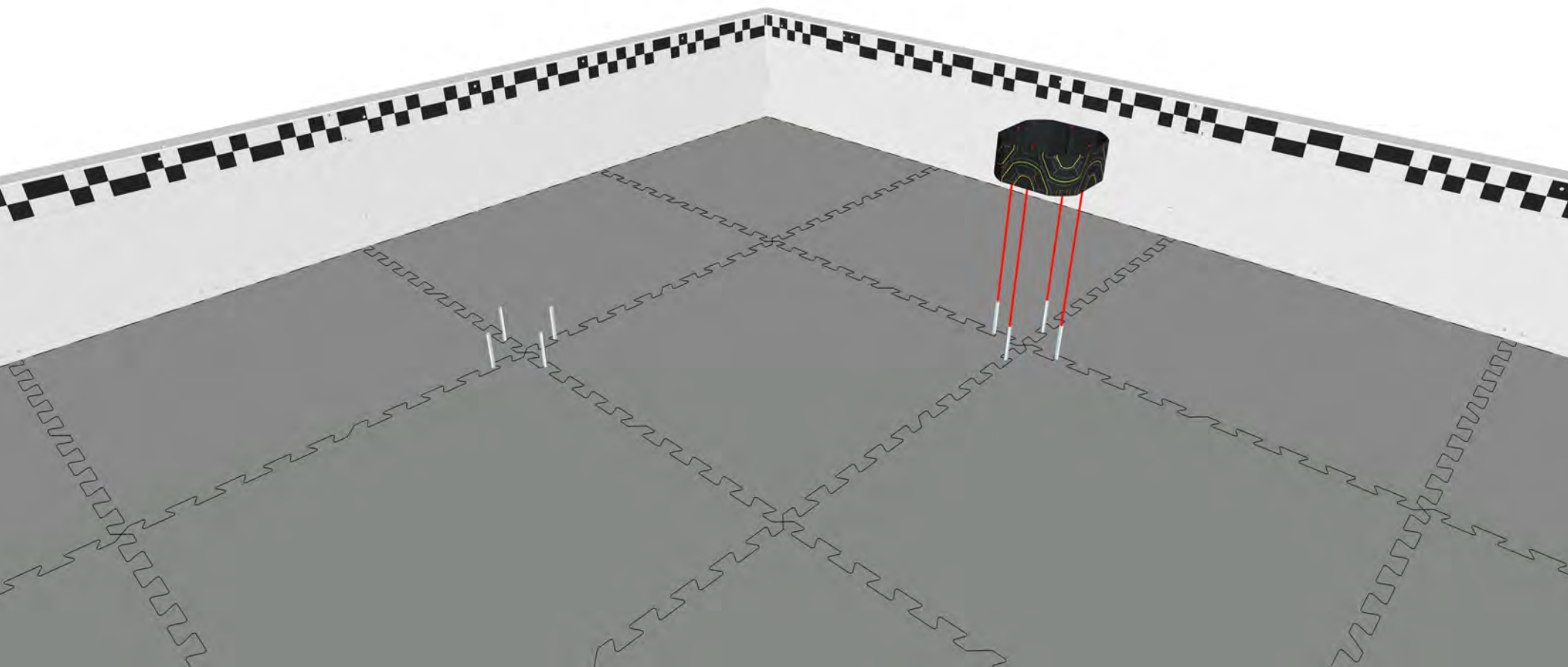


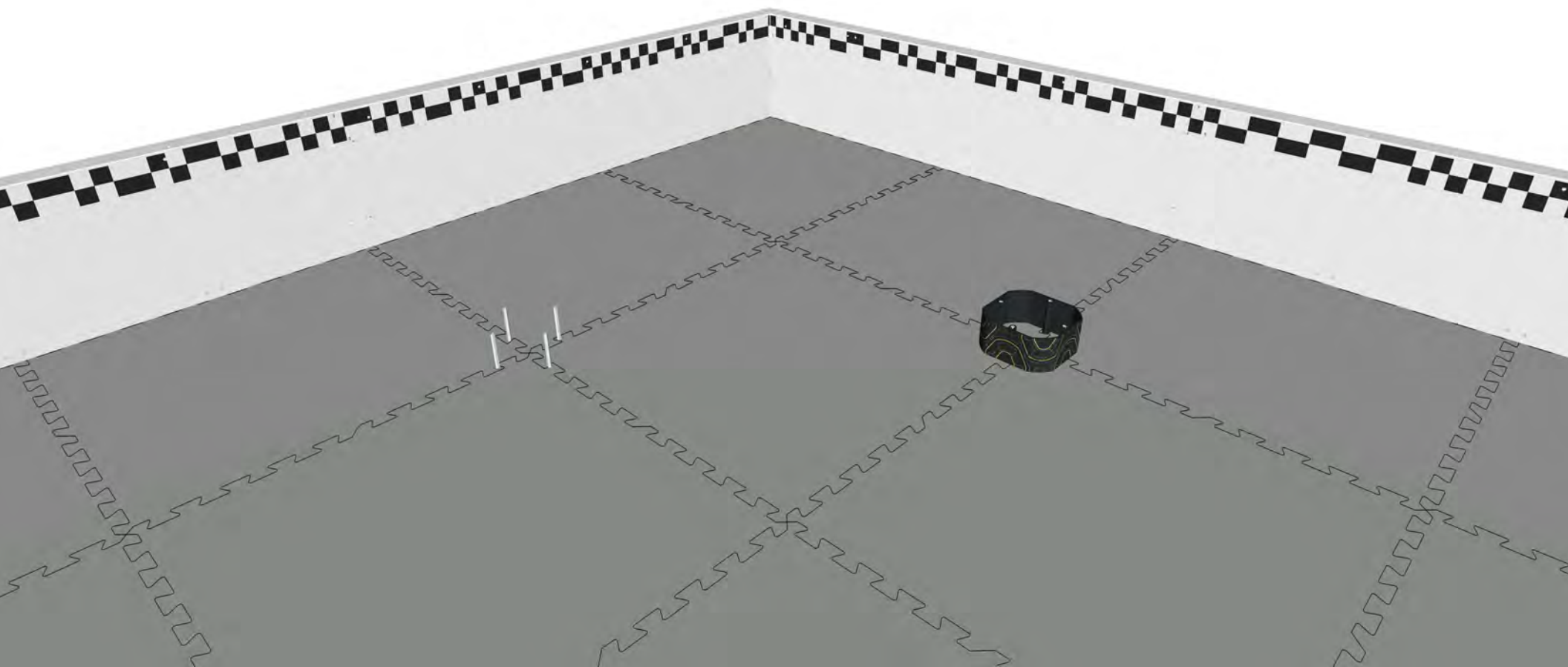
#8-32 x 0.500" Star Drive Screw

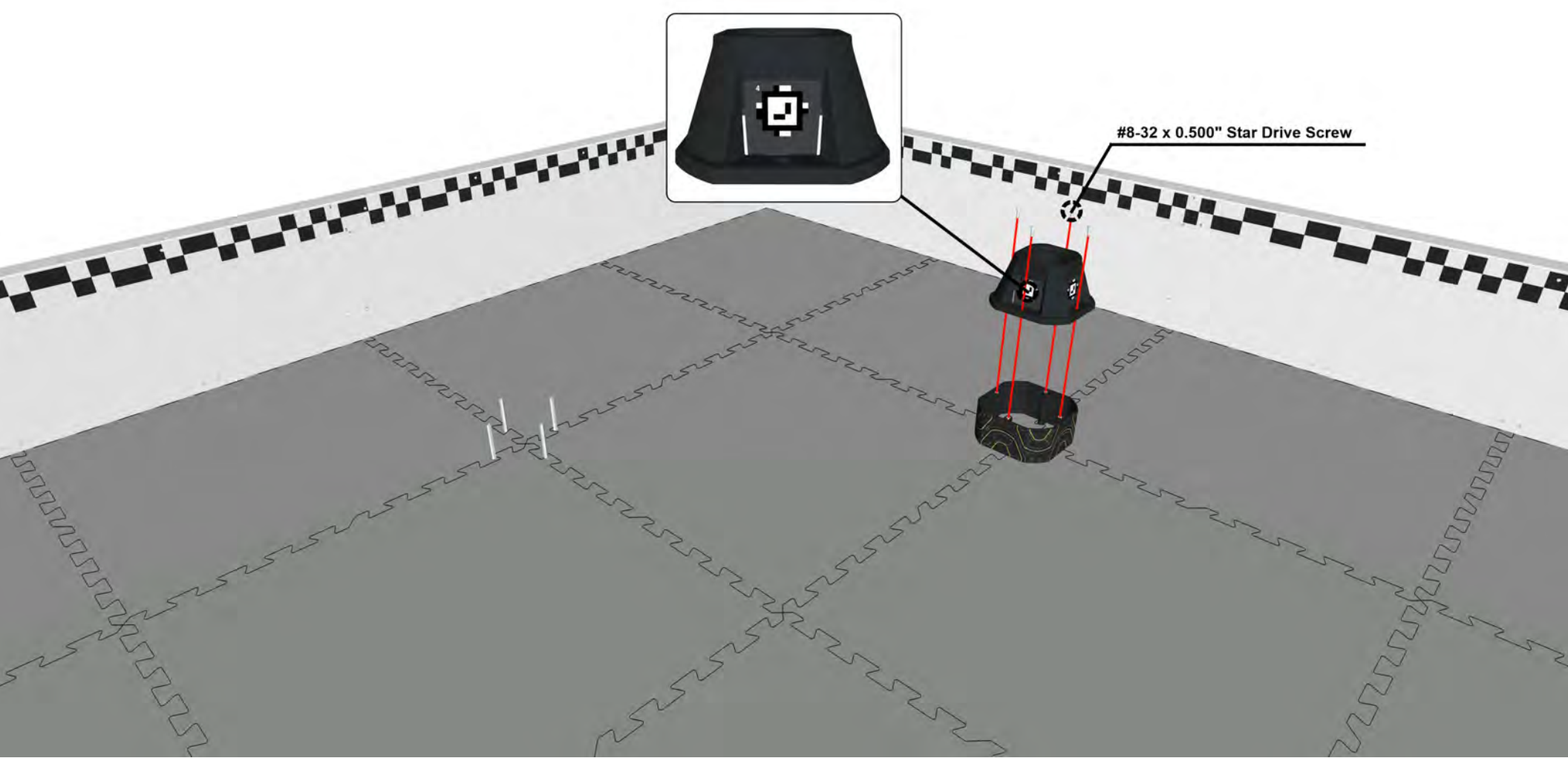




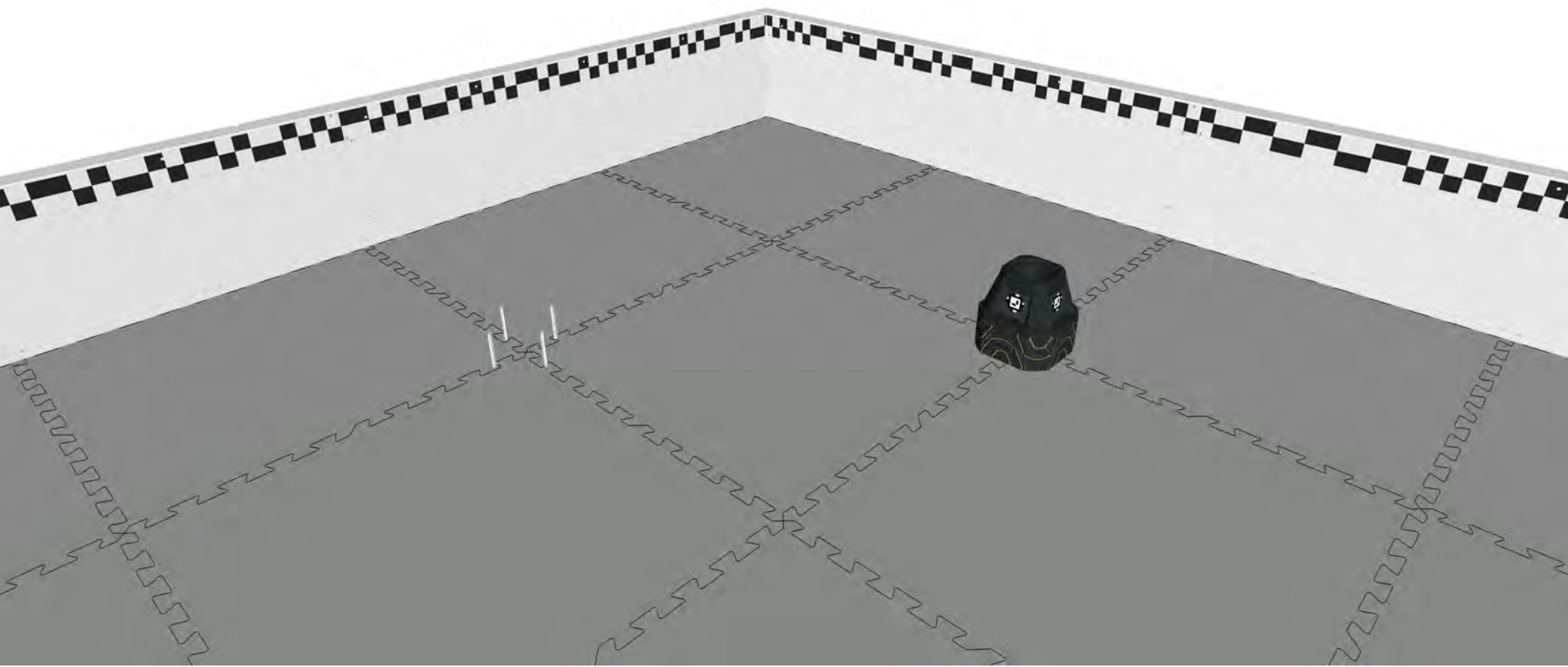


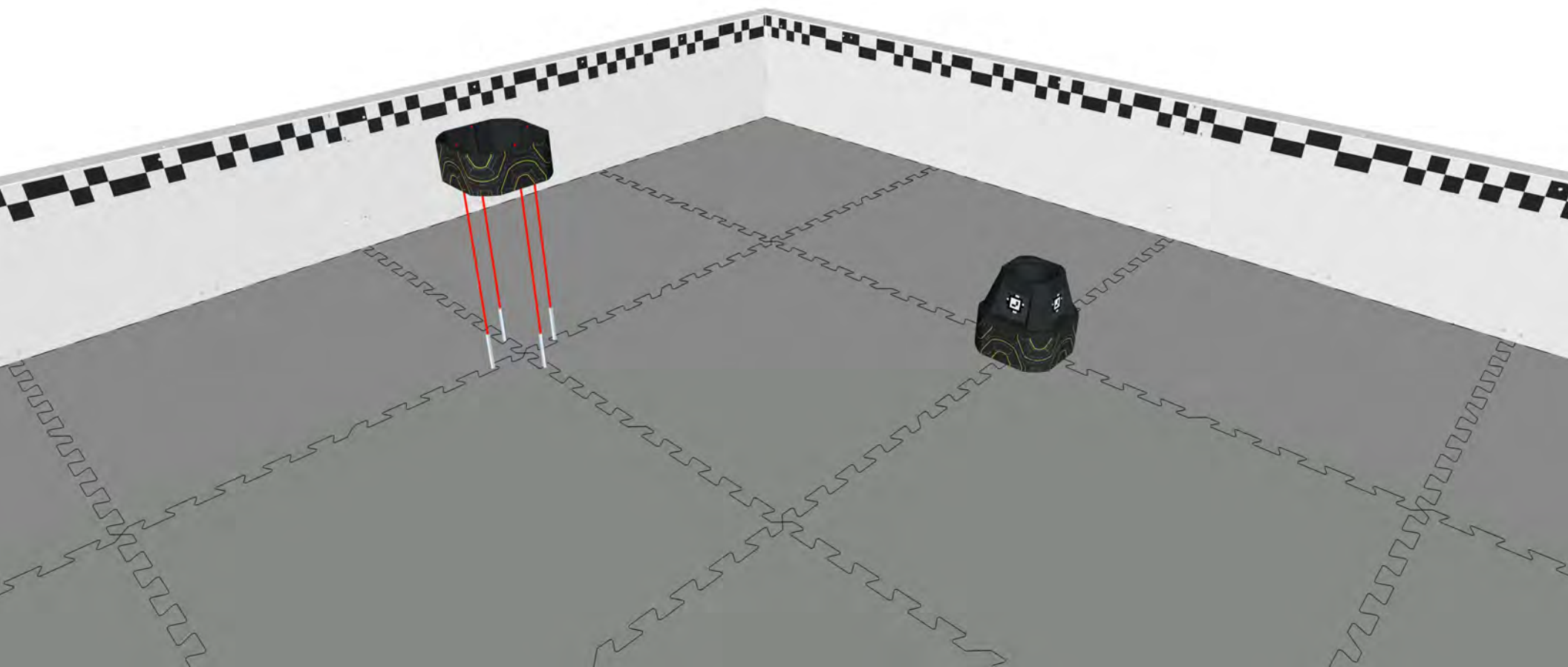


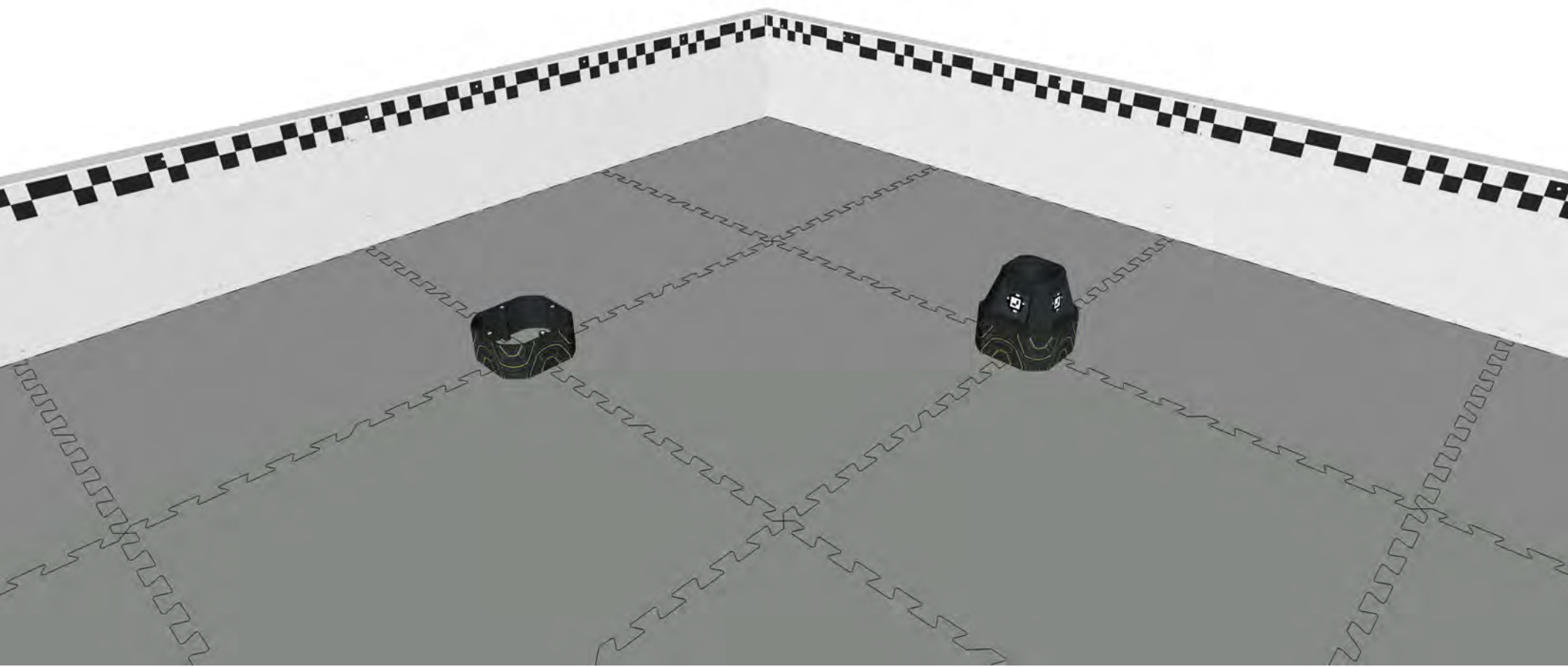




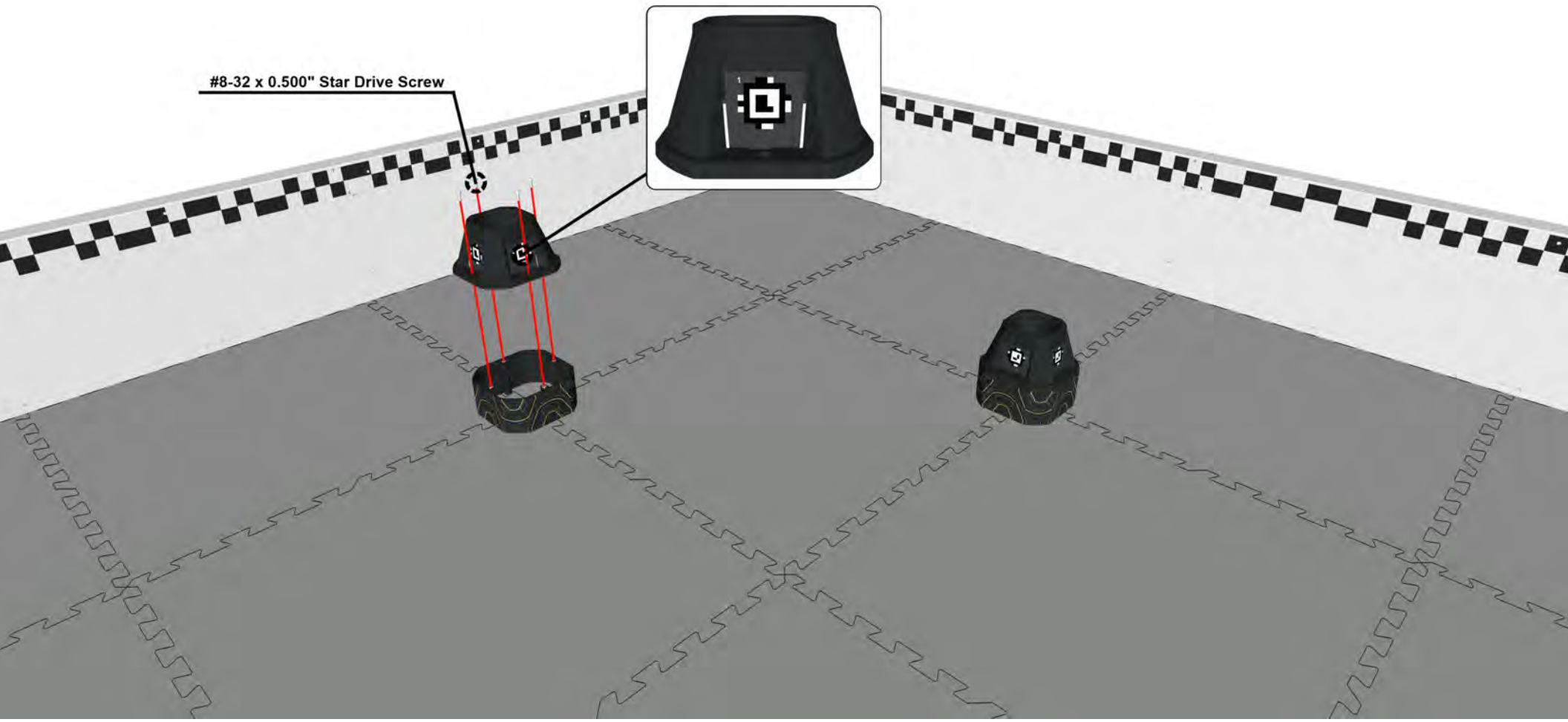
#8-32 x 0.500" Star Drive Screw

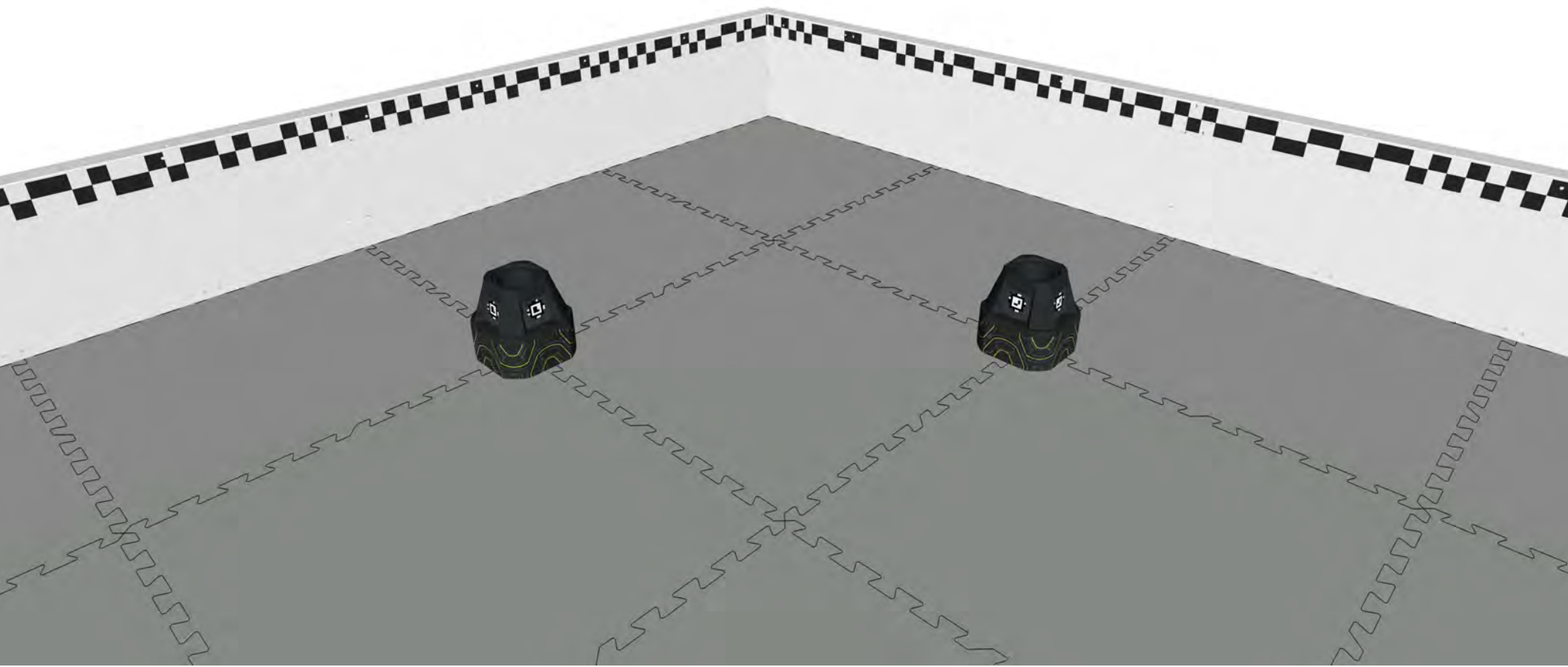


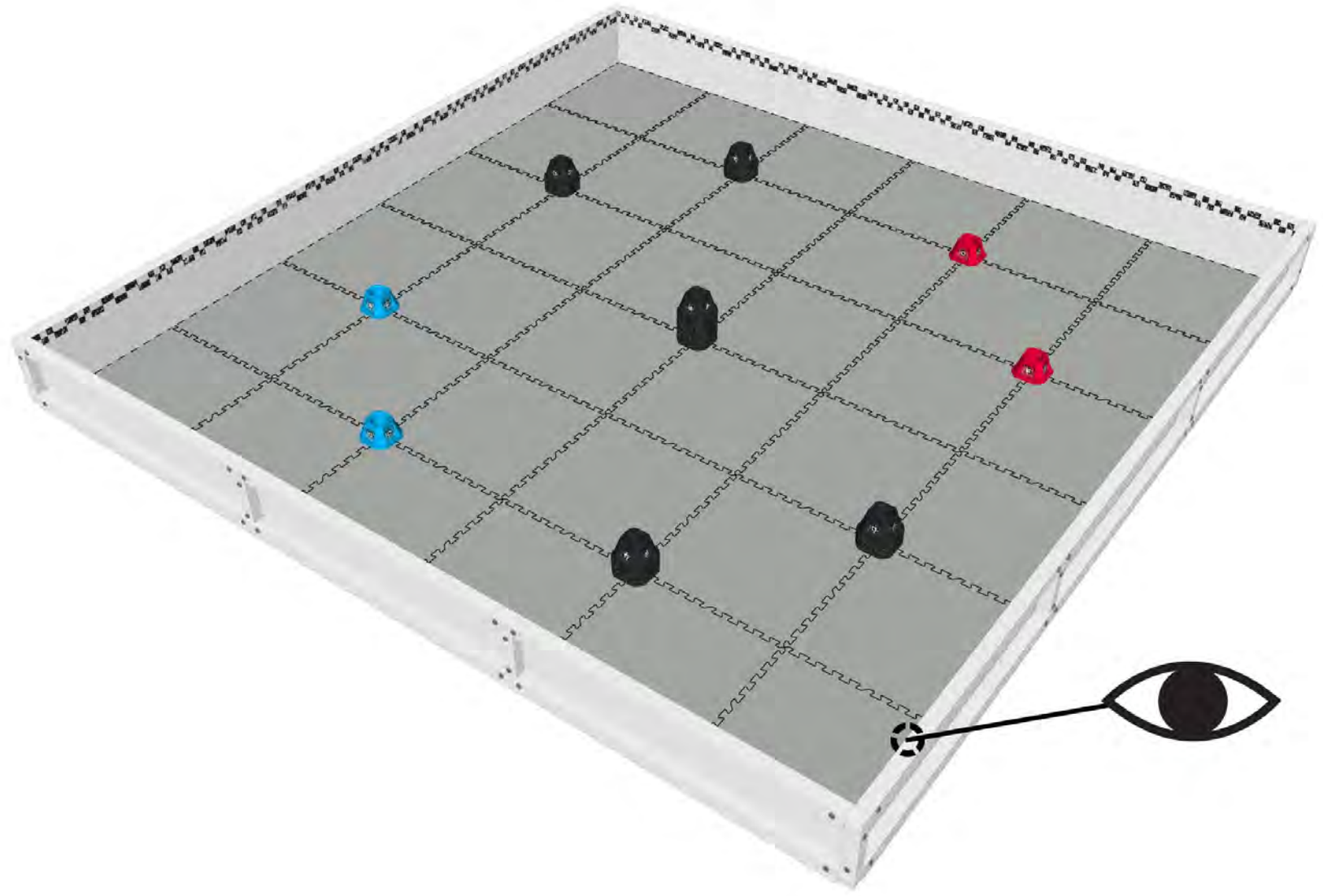


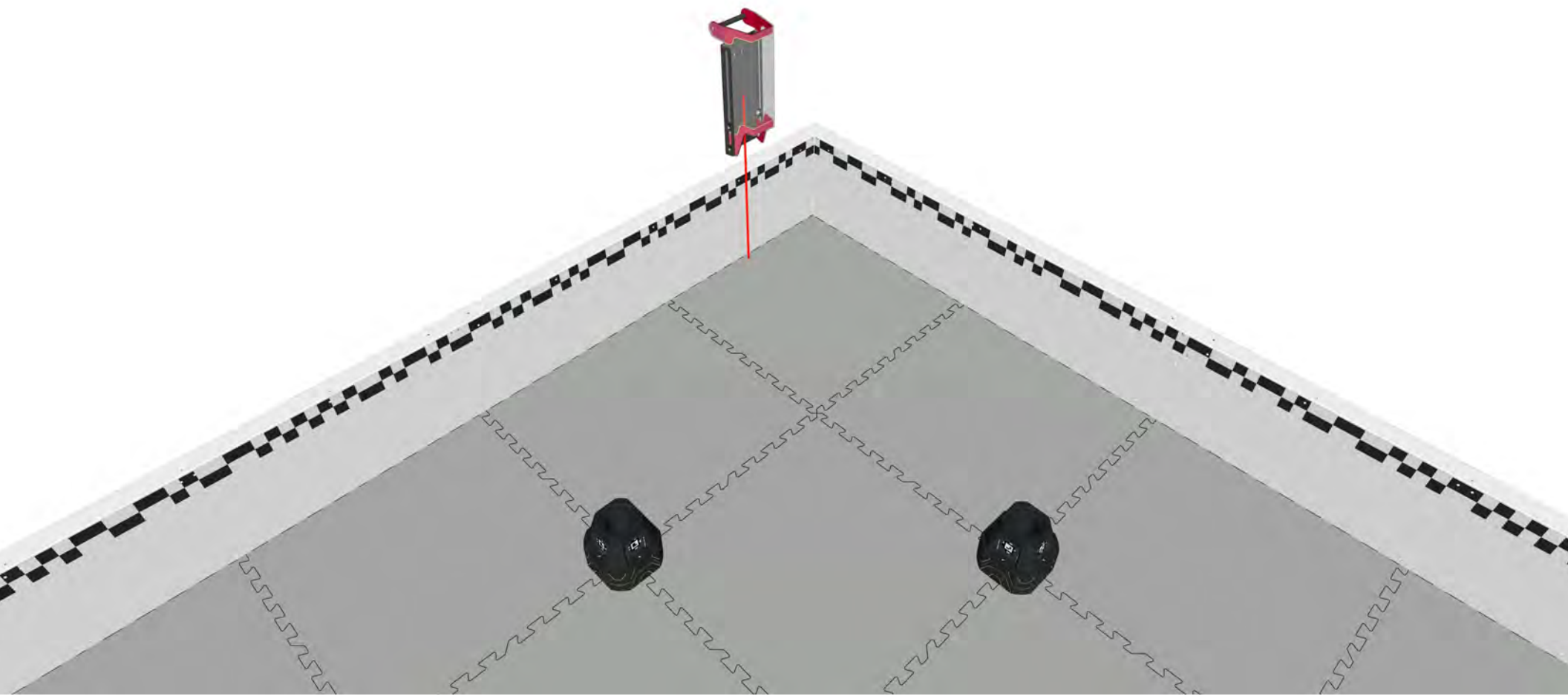


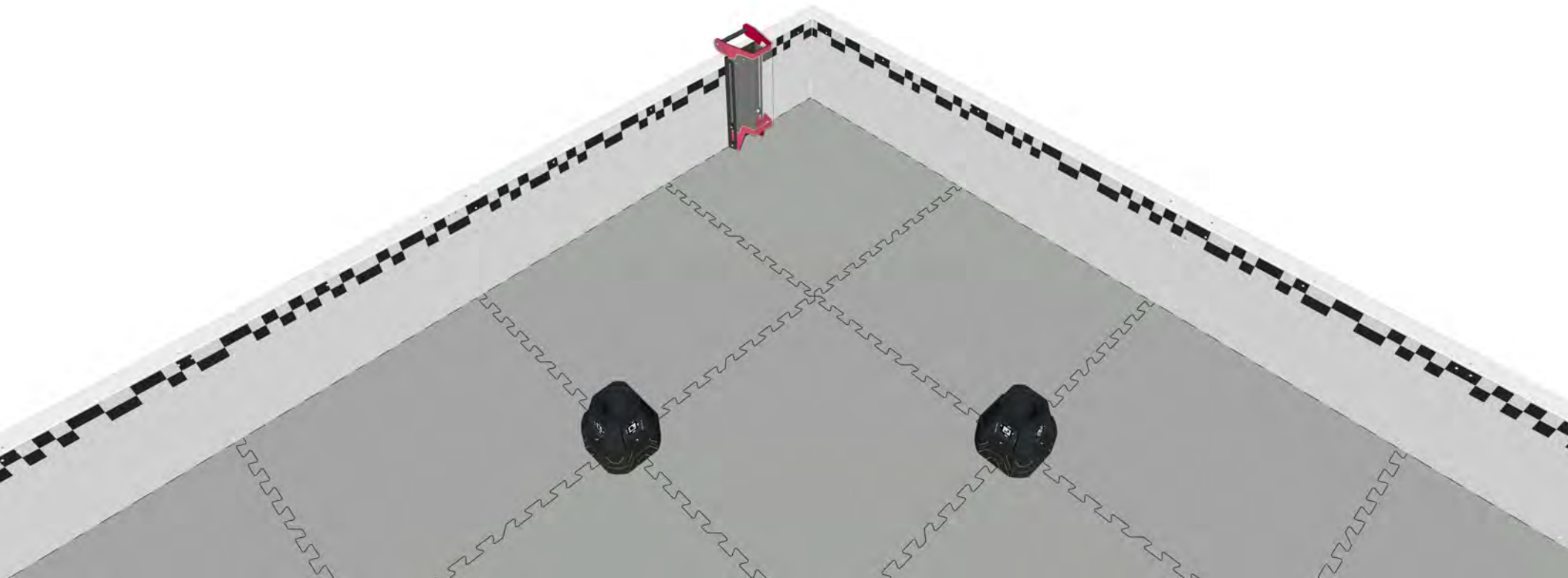
#8-32 x 0.500" Star Drive Screw

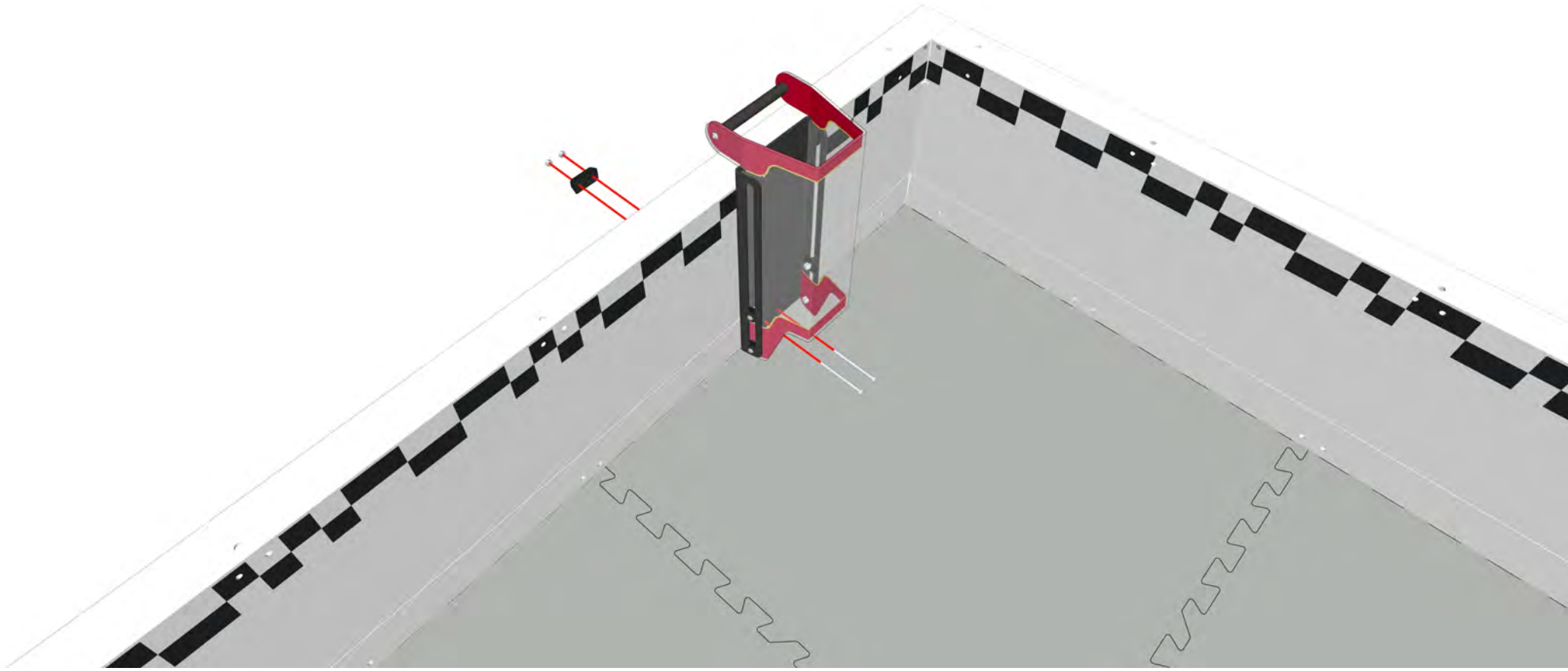


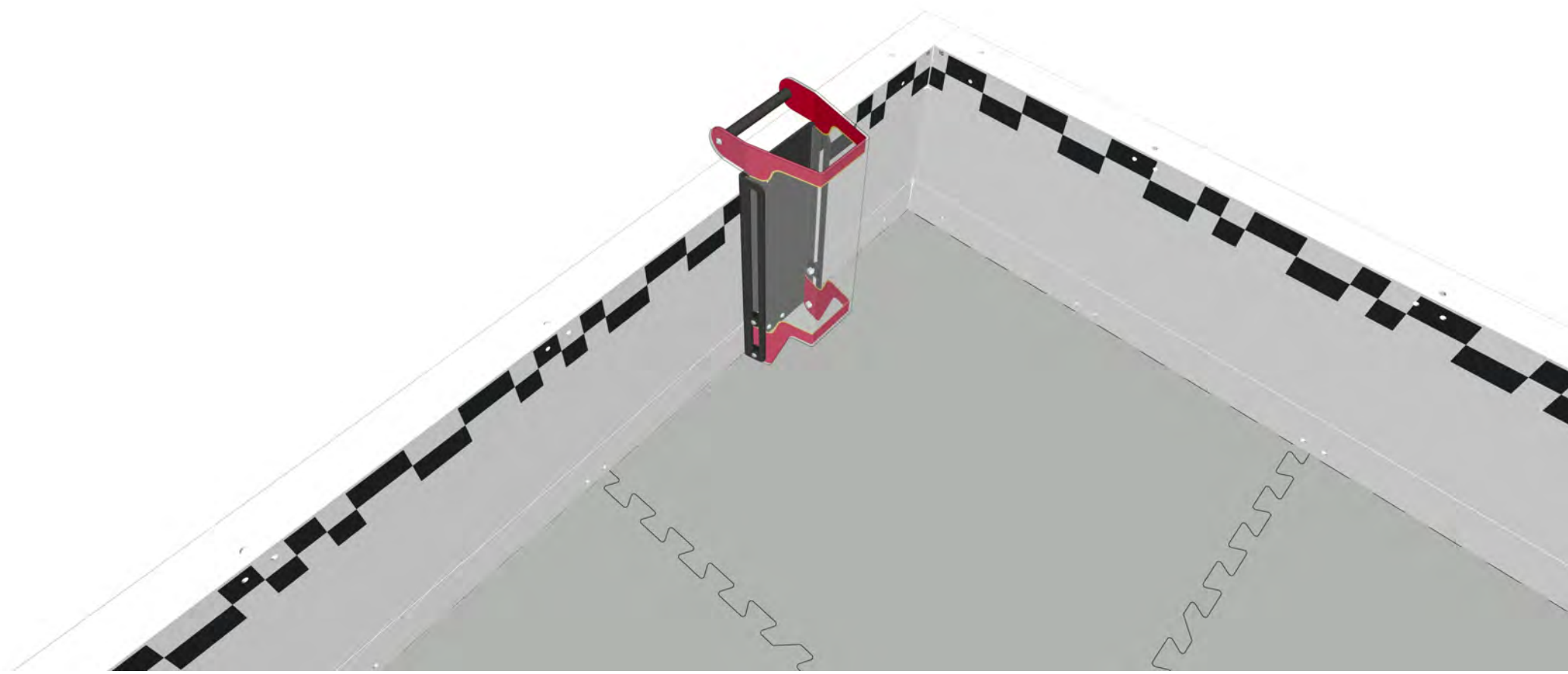


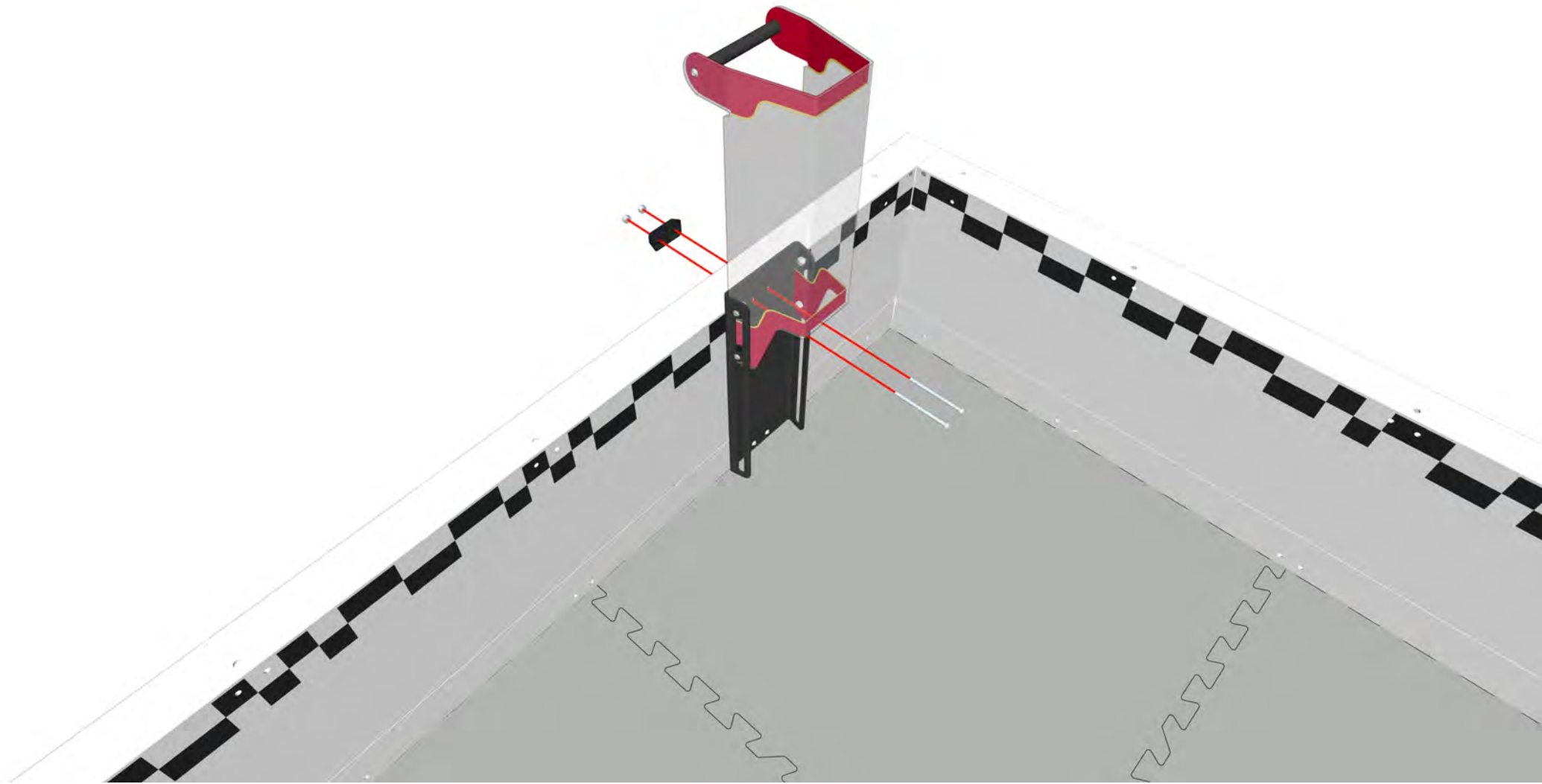


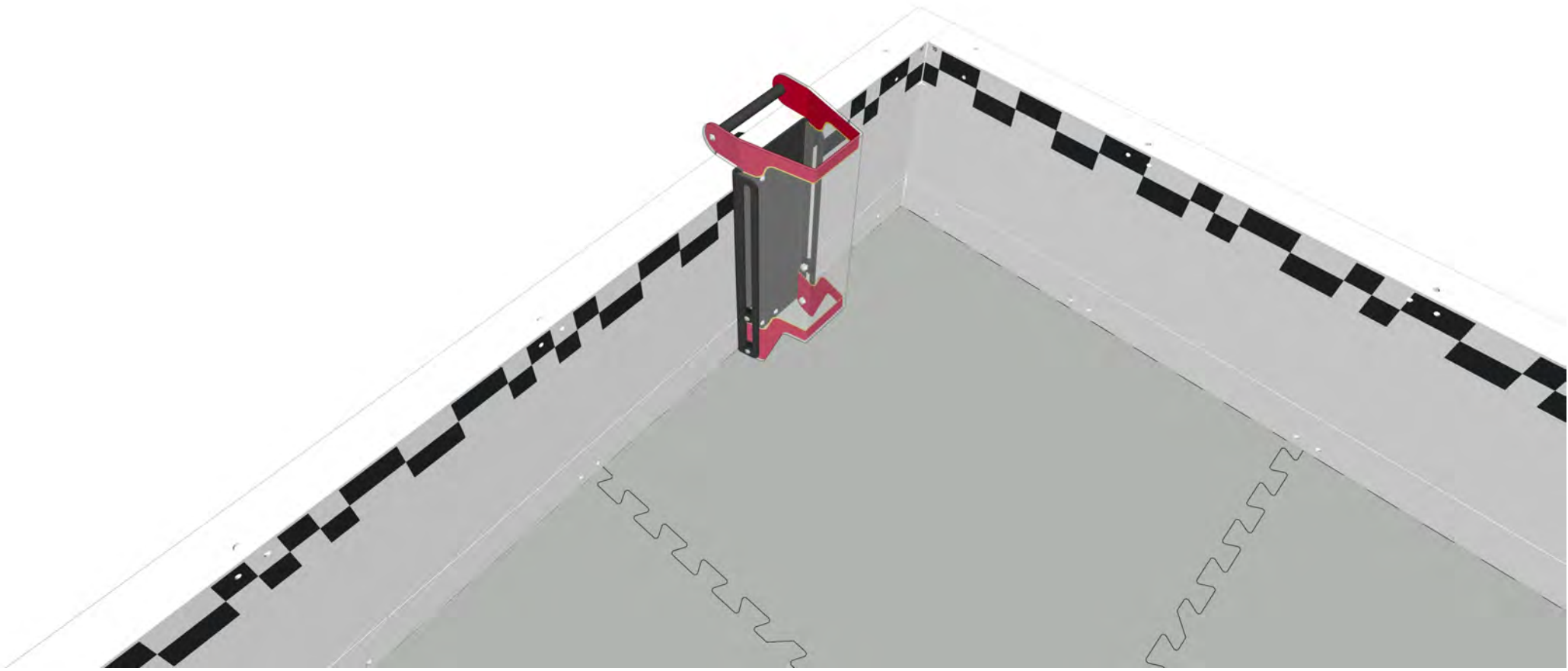


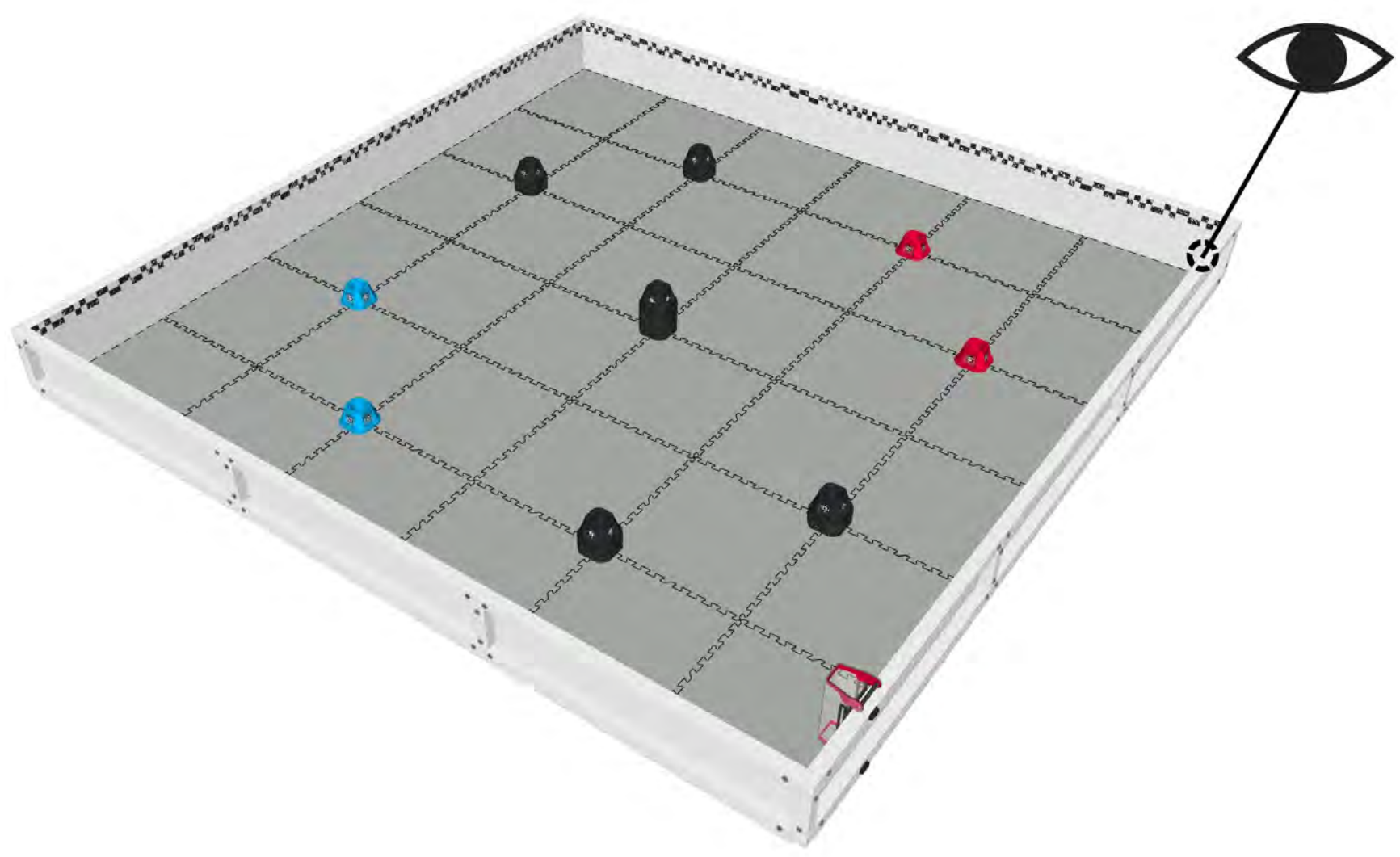


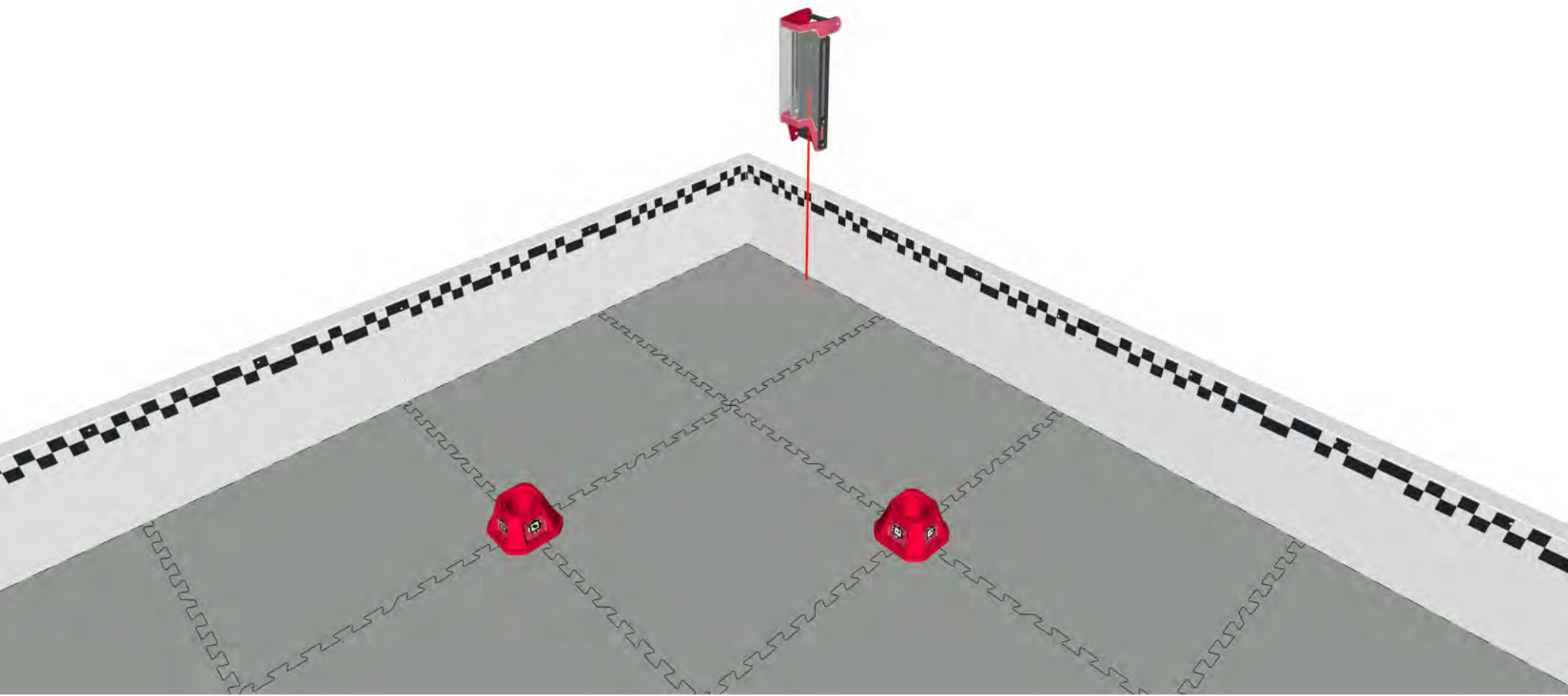


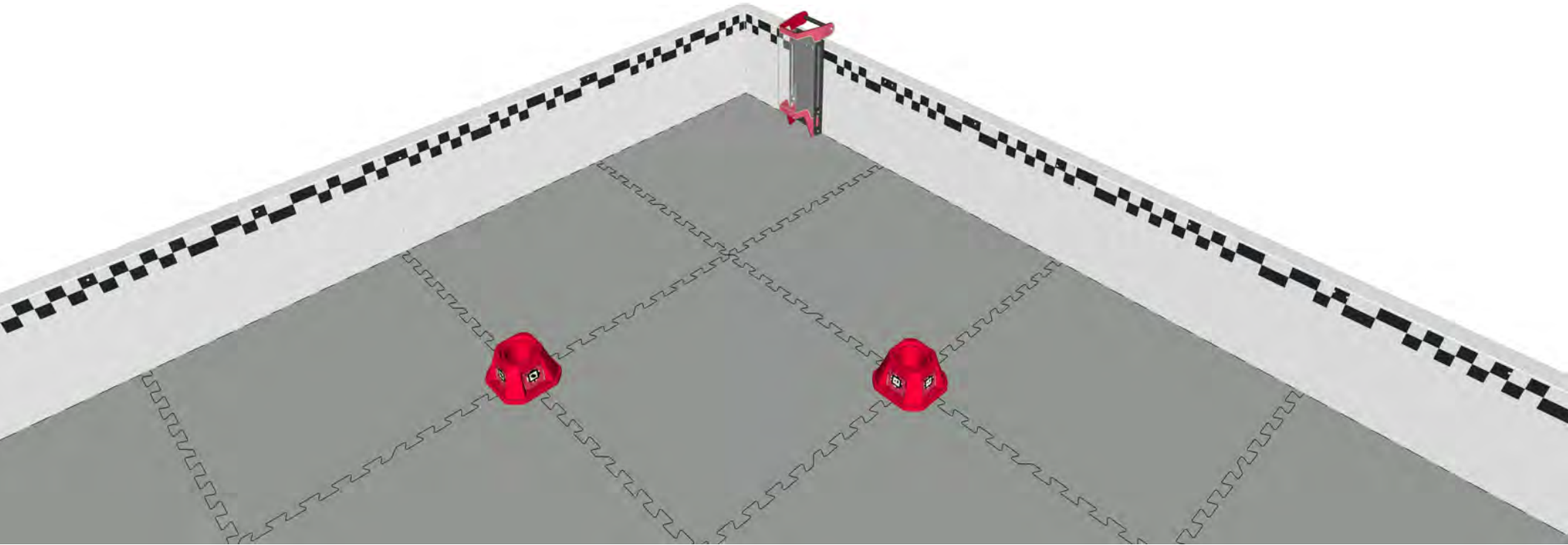


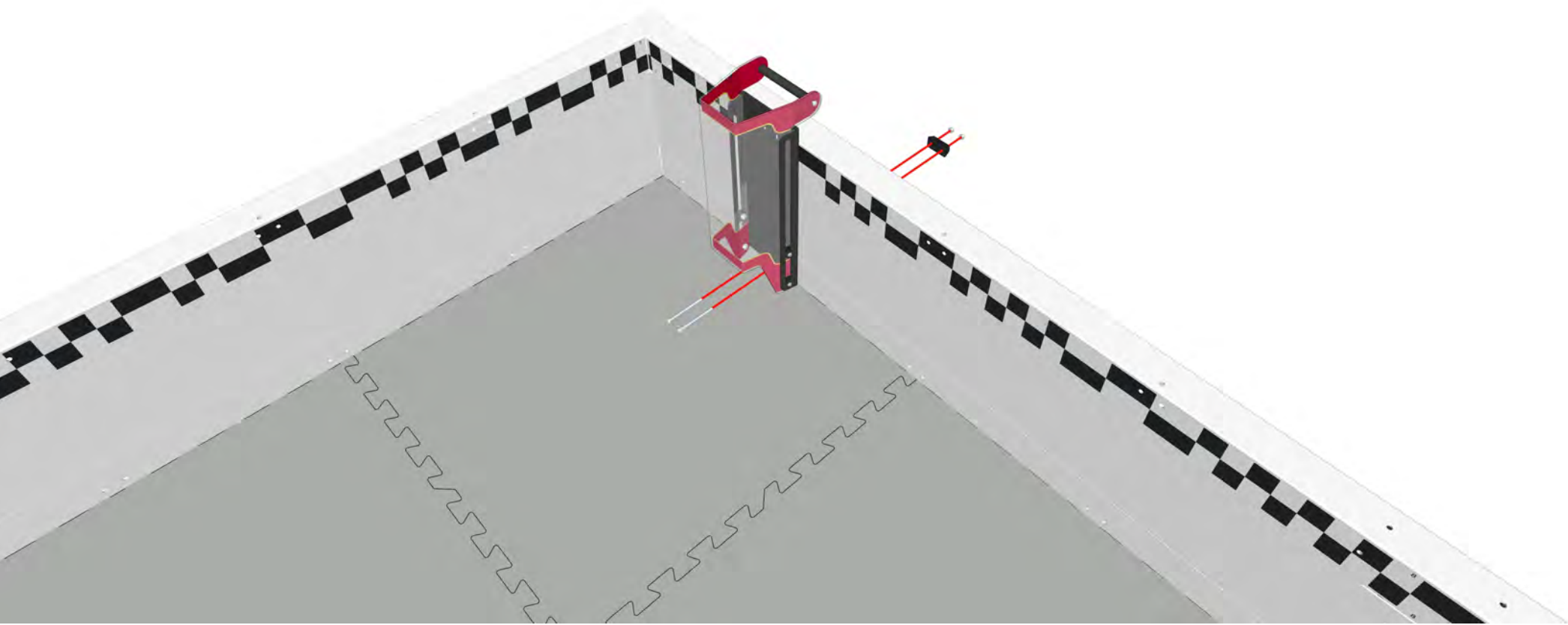


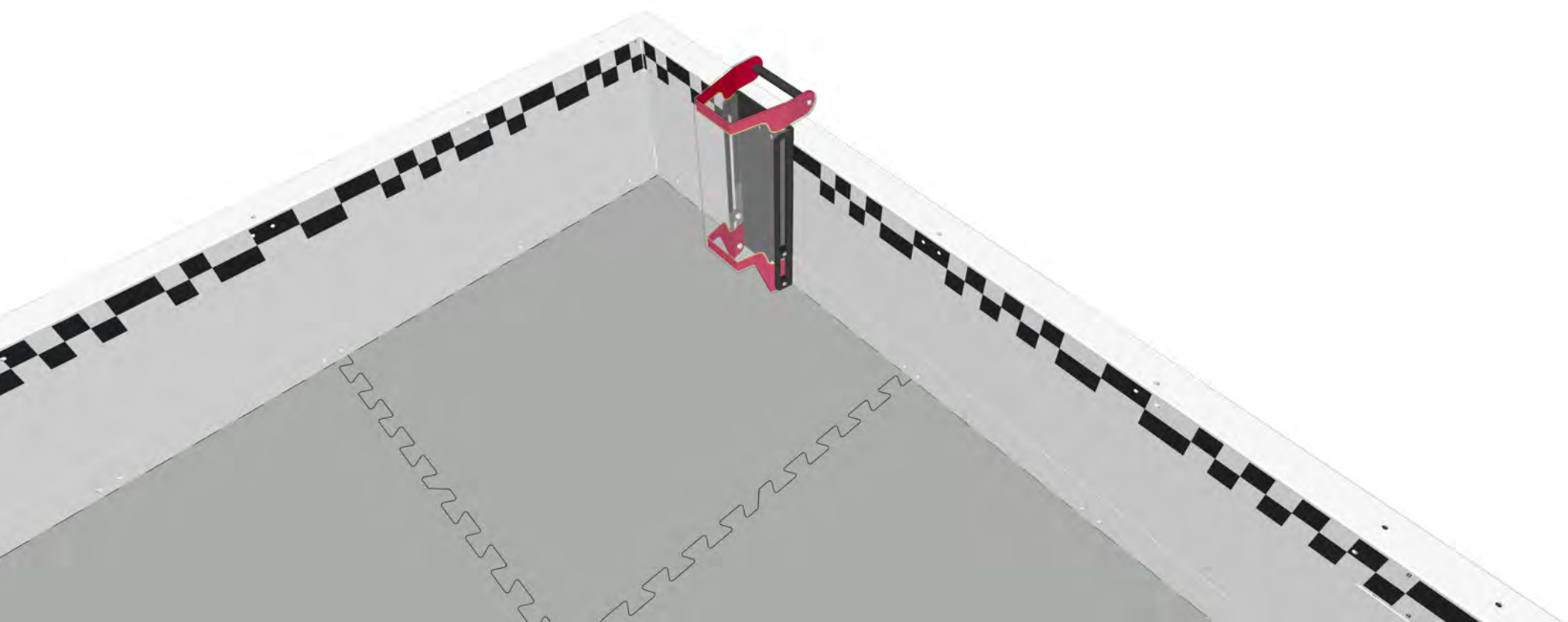


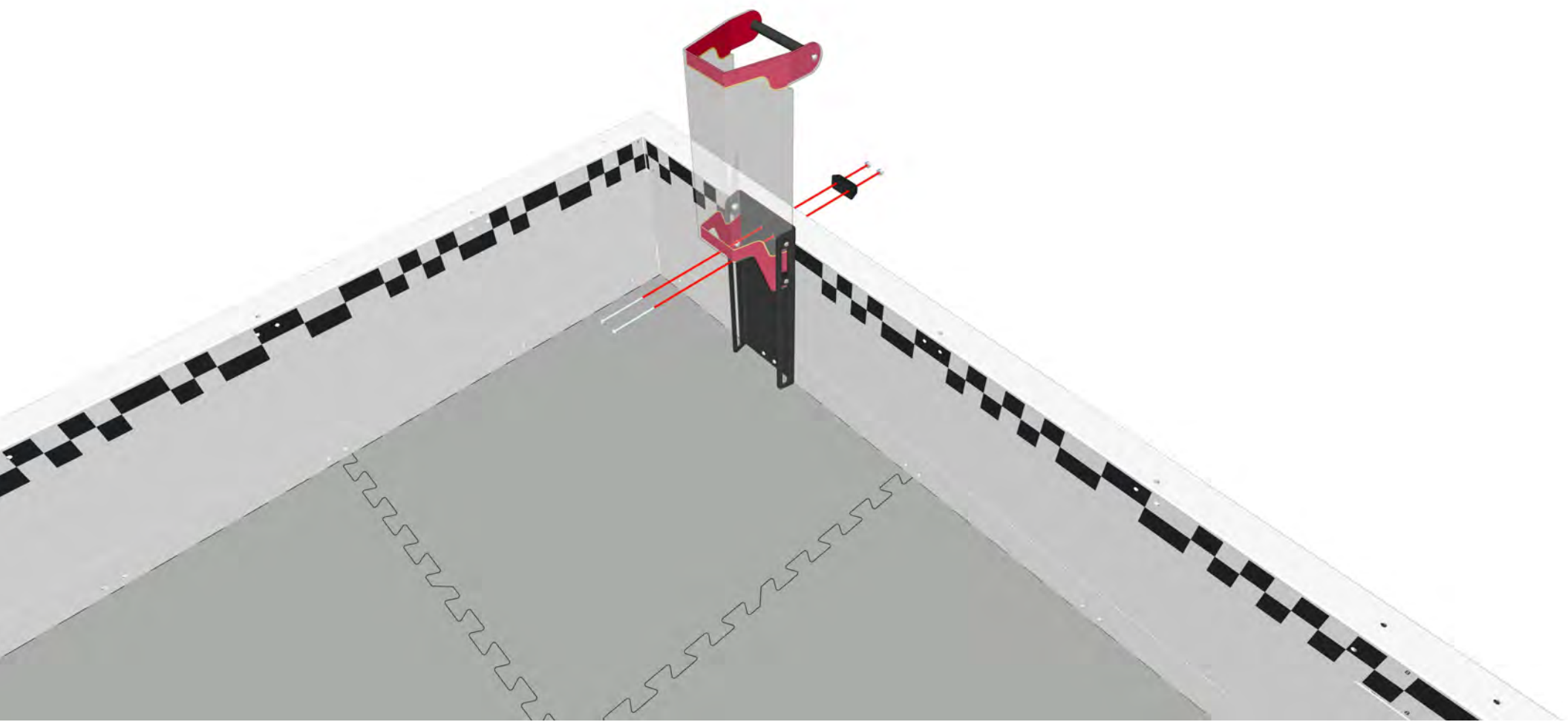


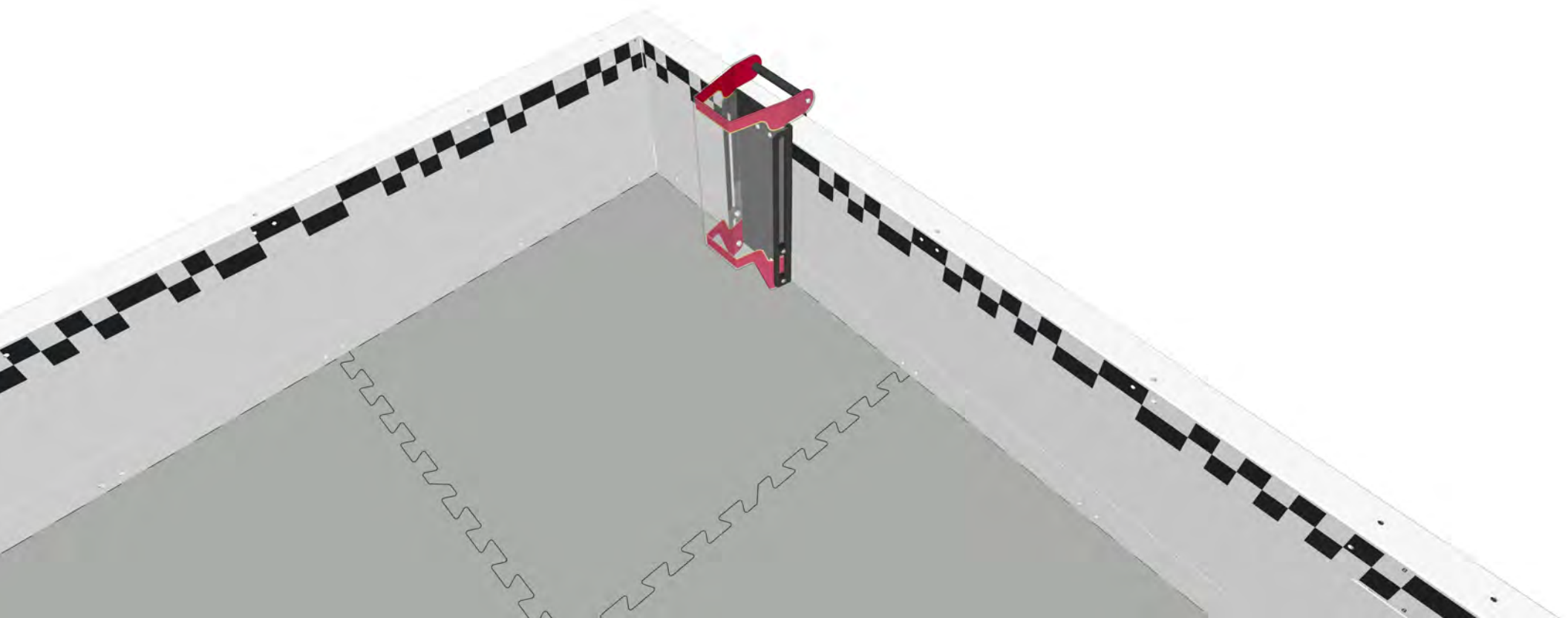


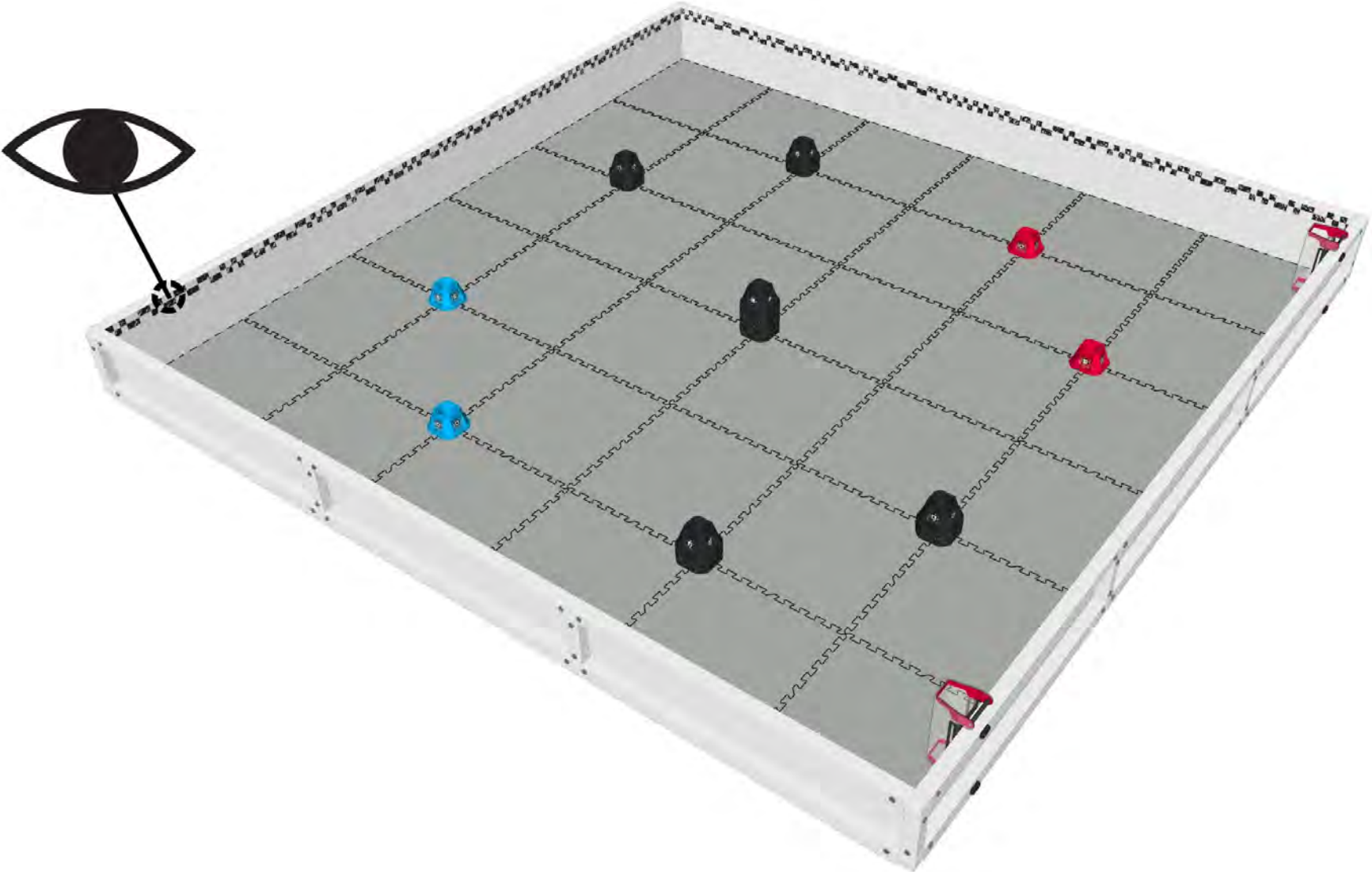


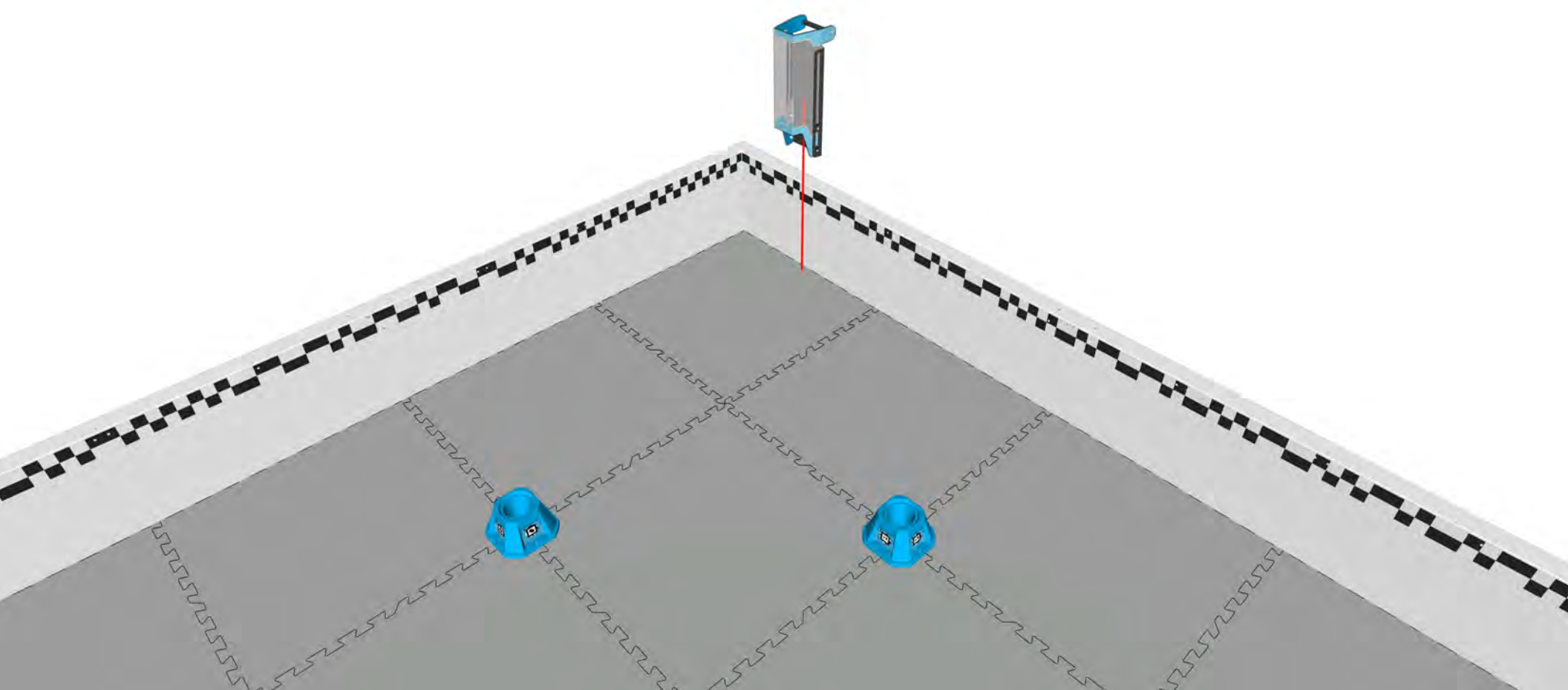


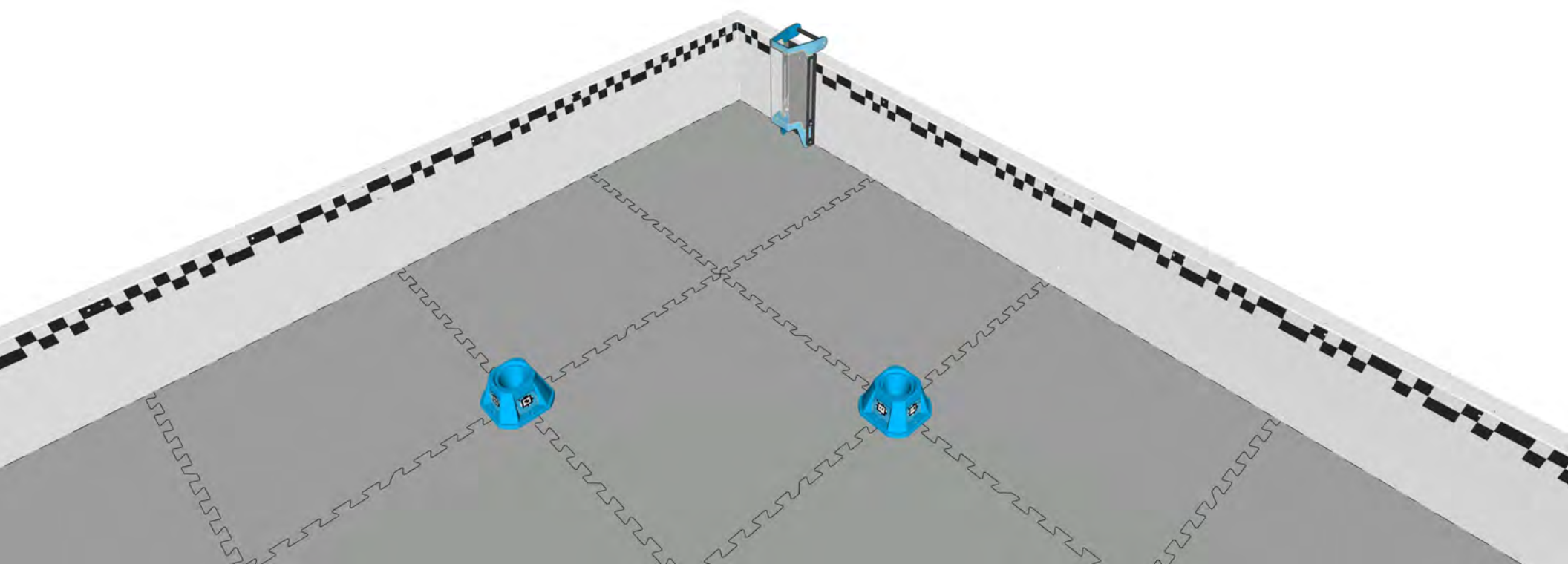


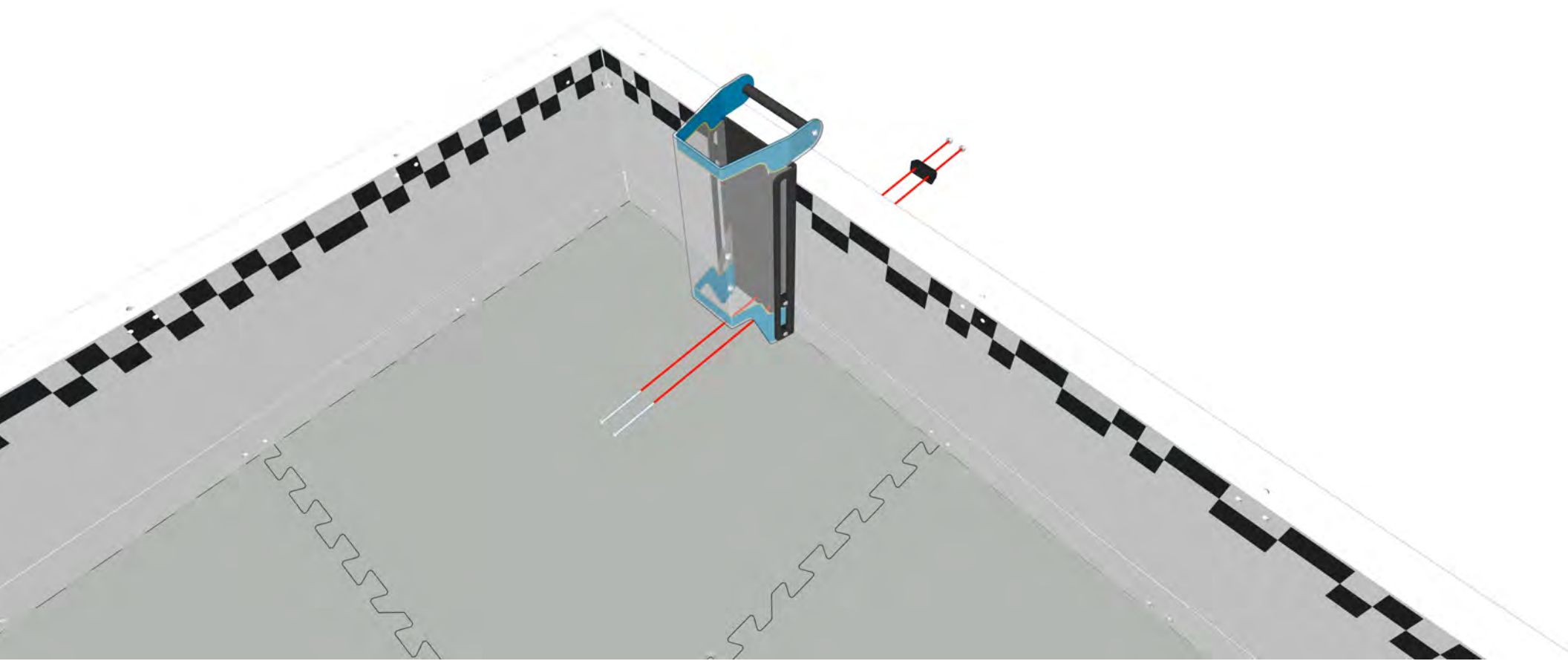


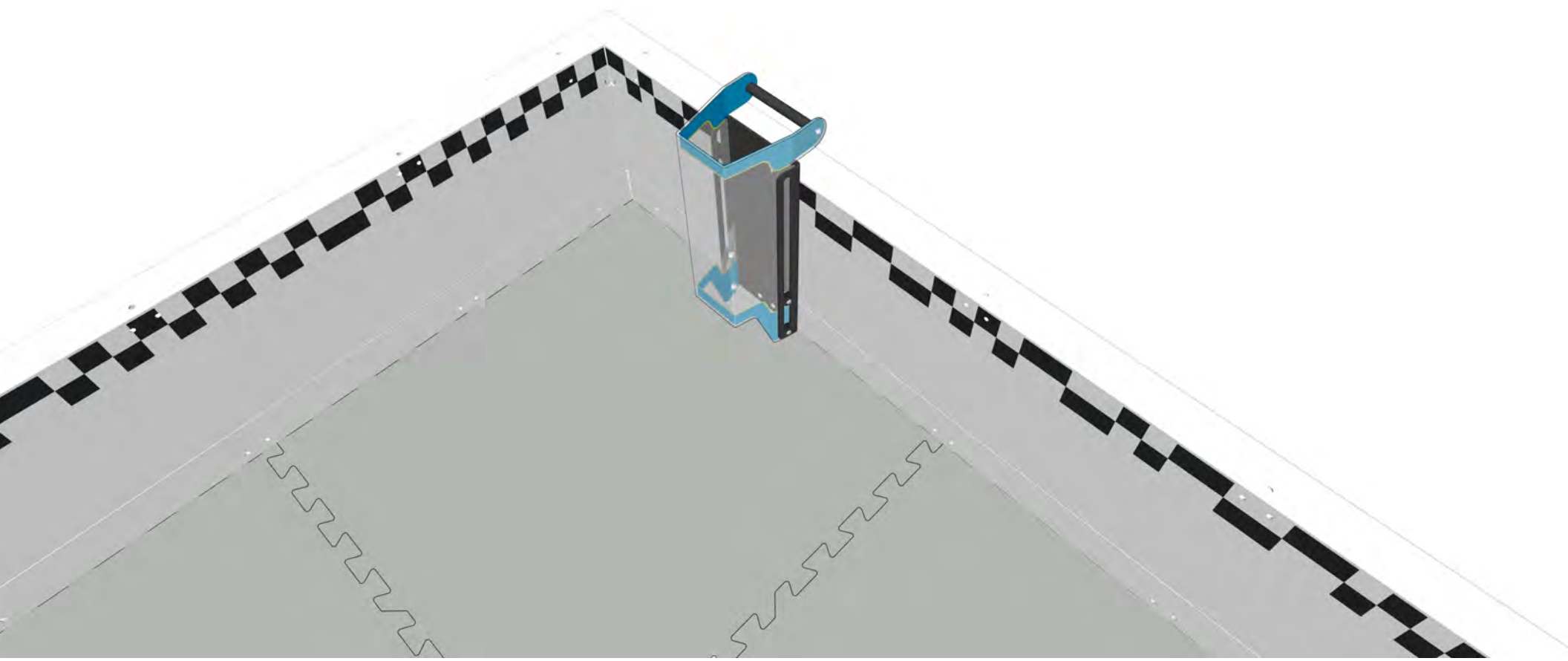


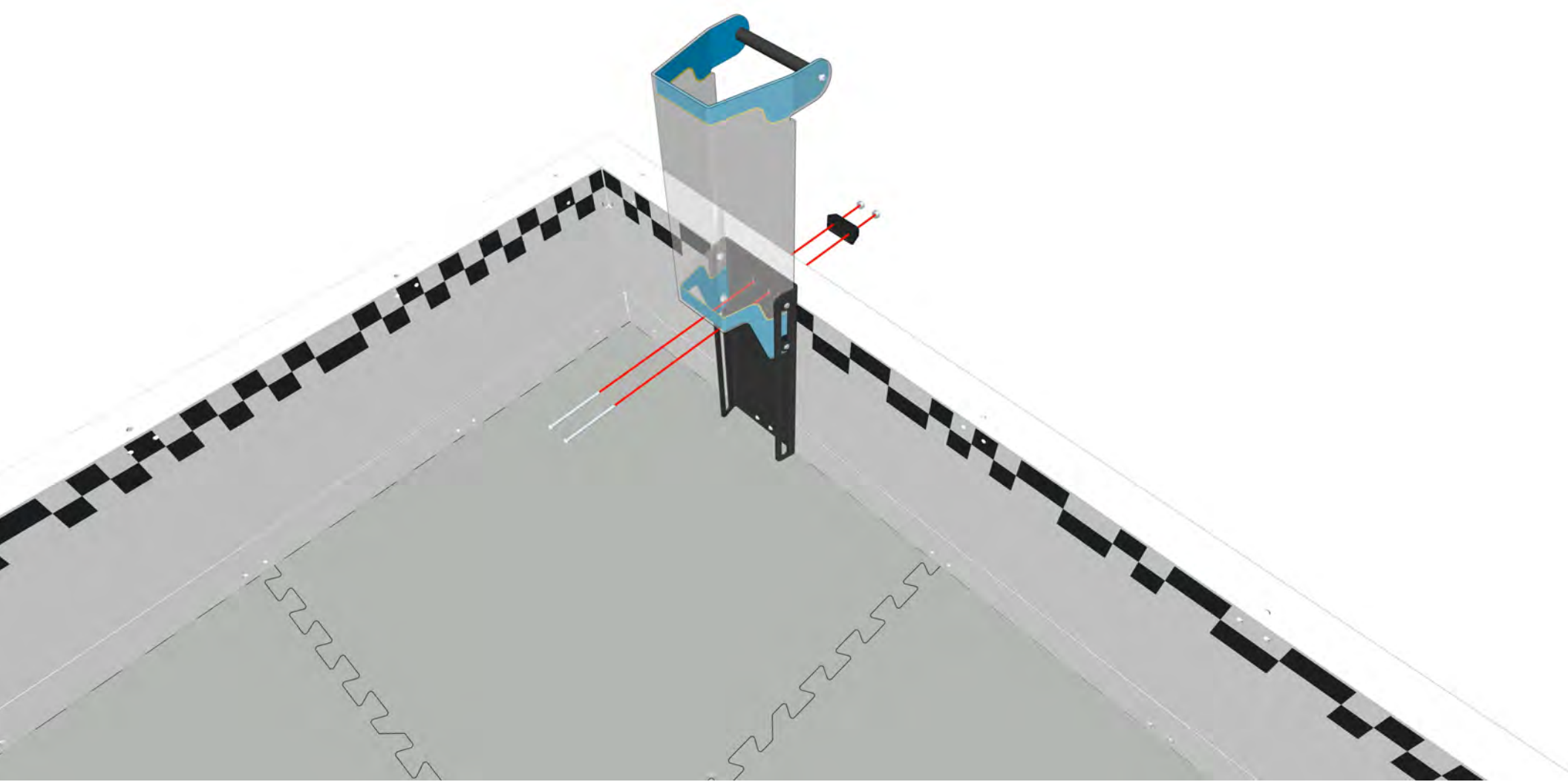


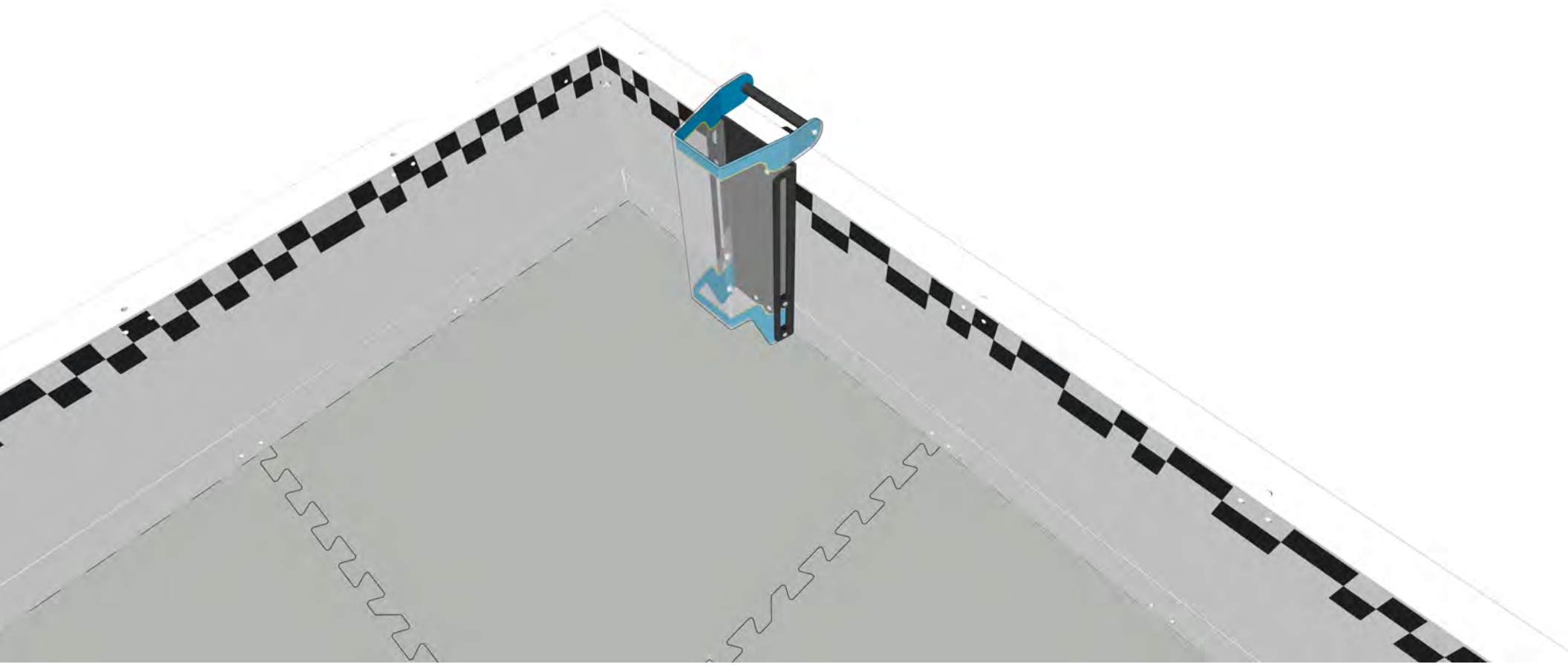


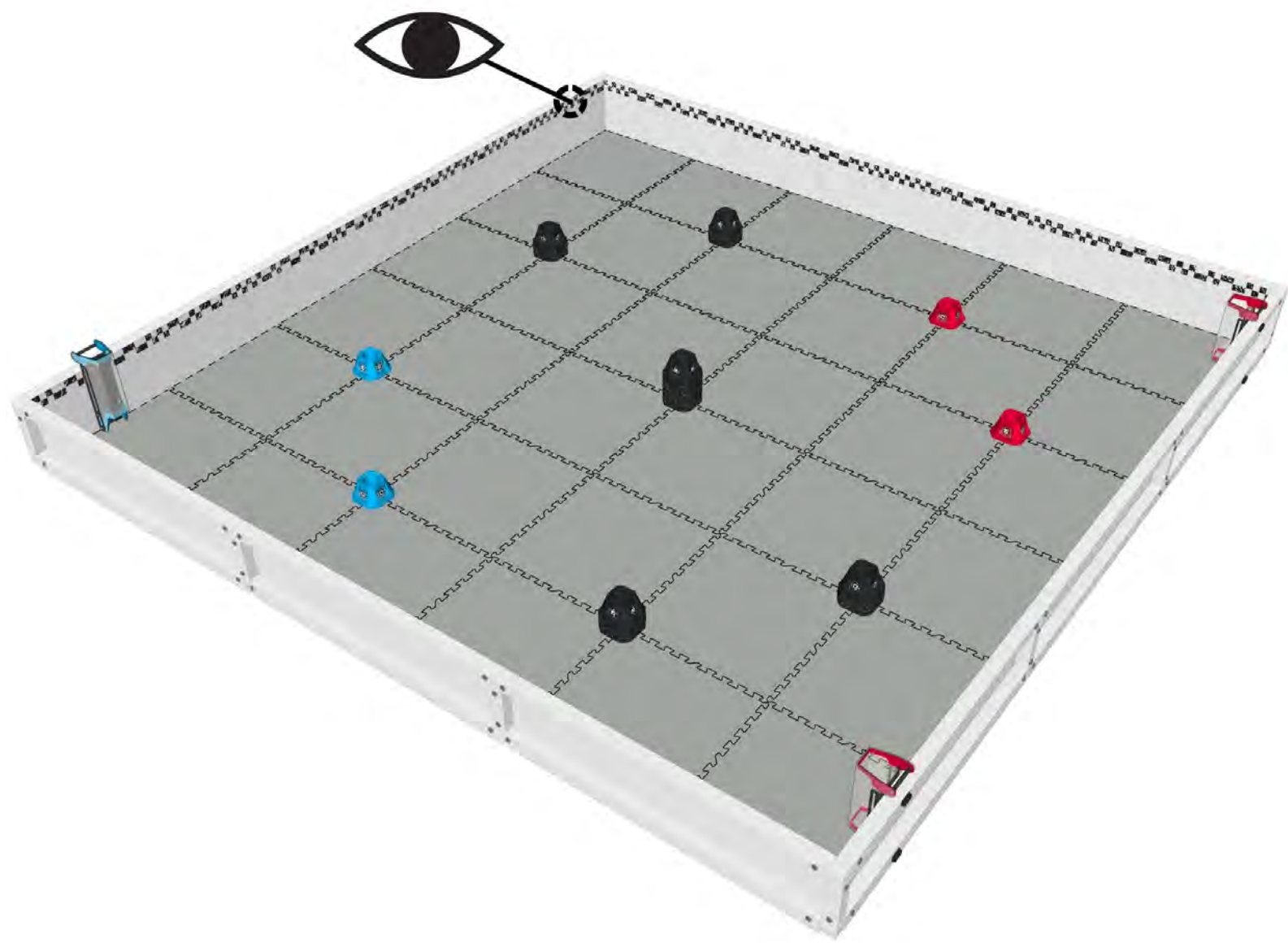


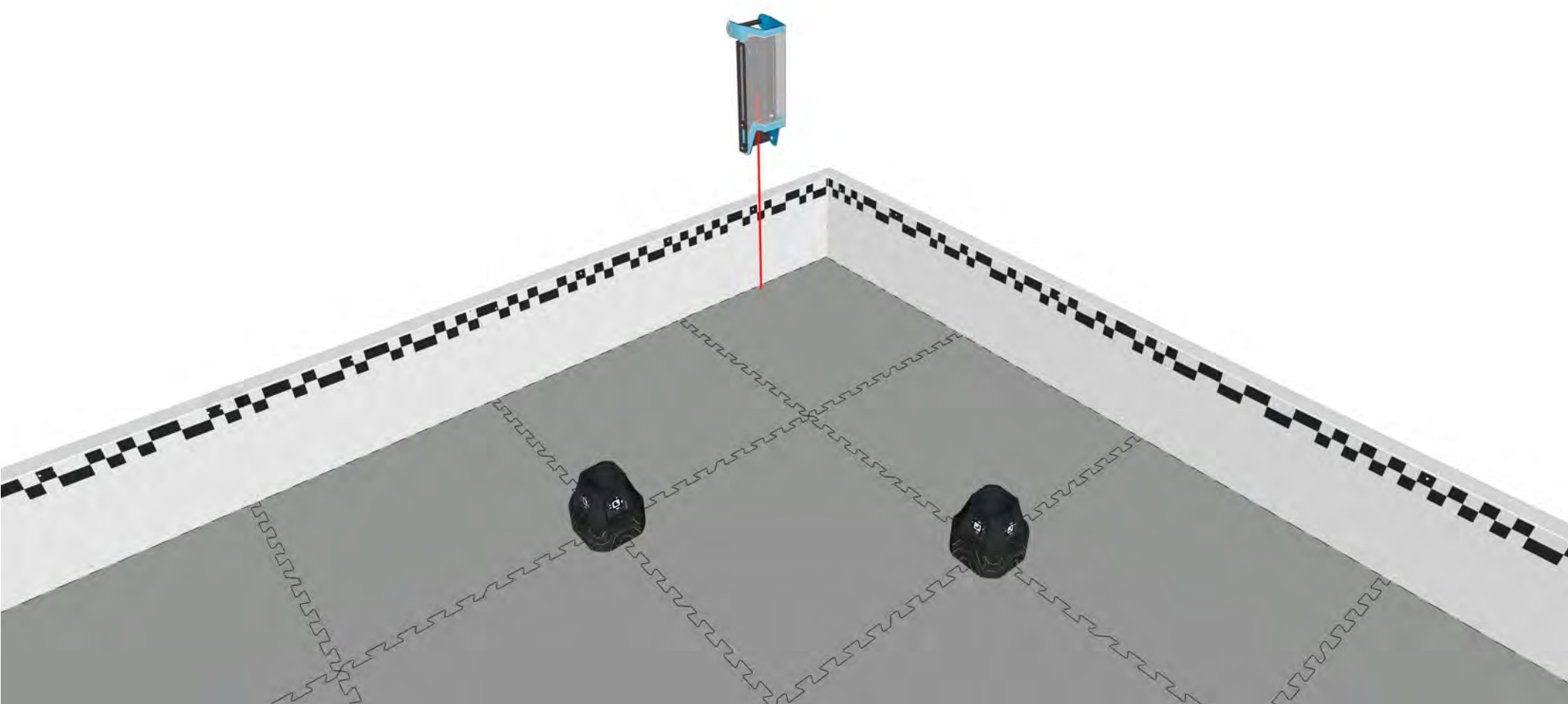


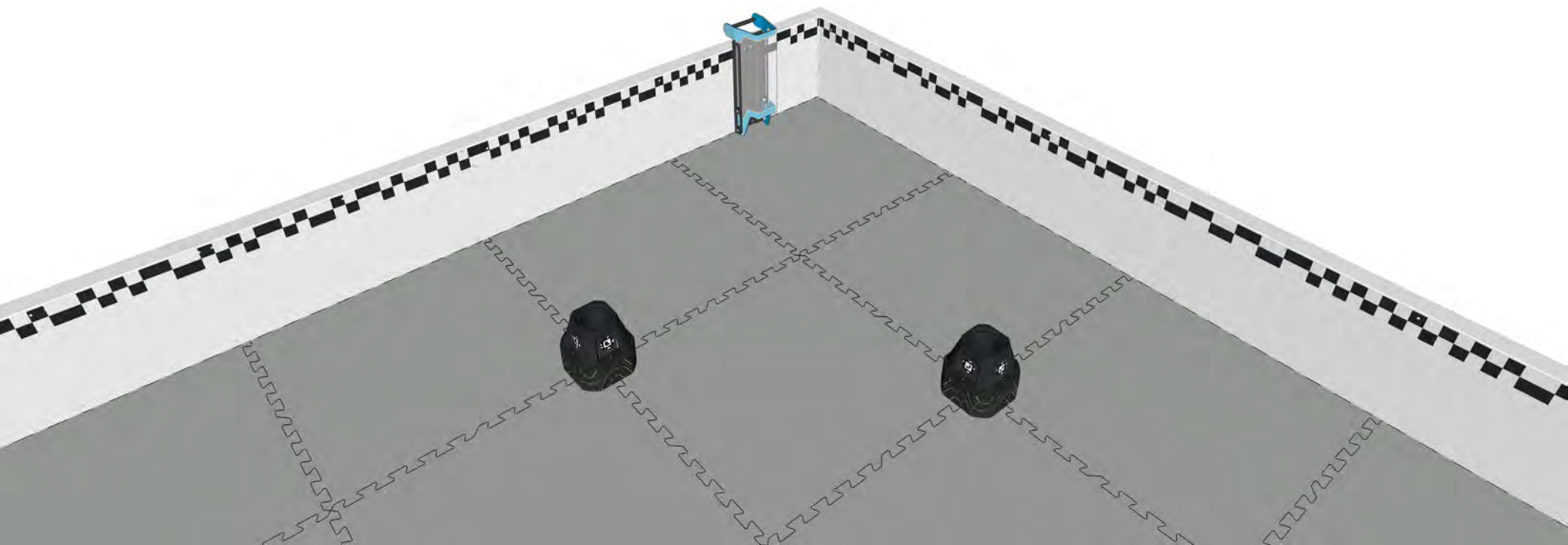


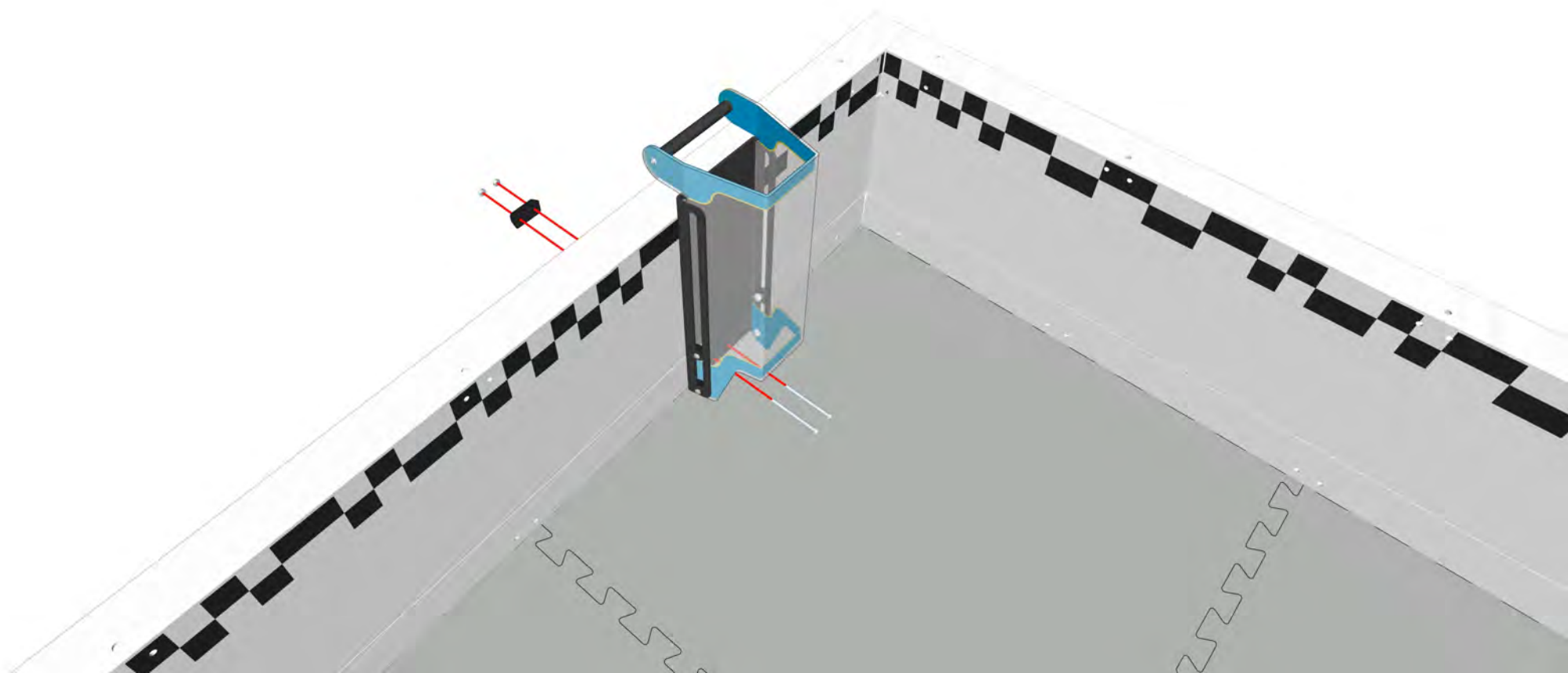


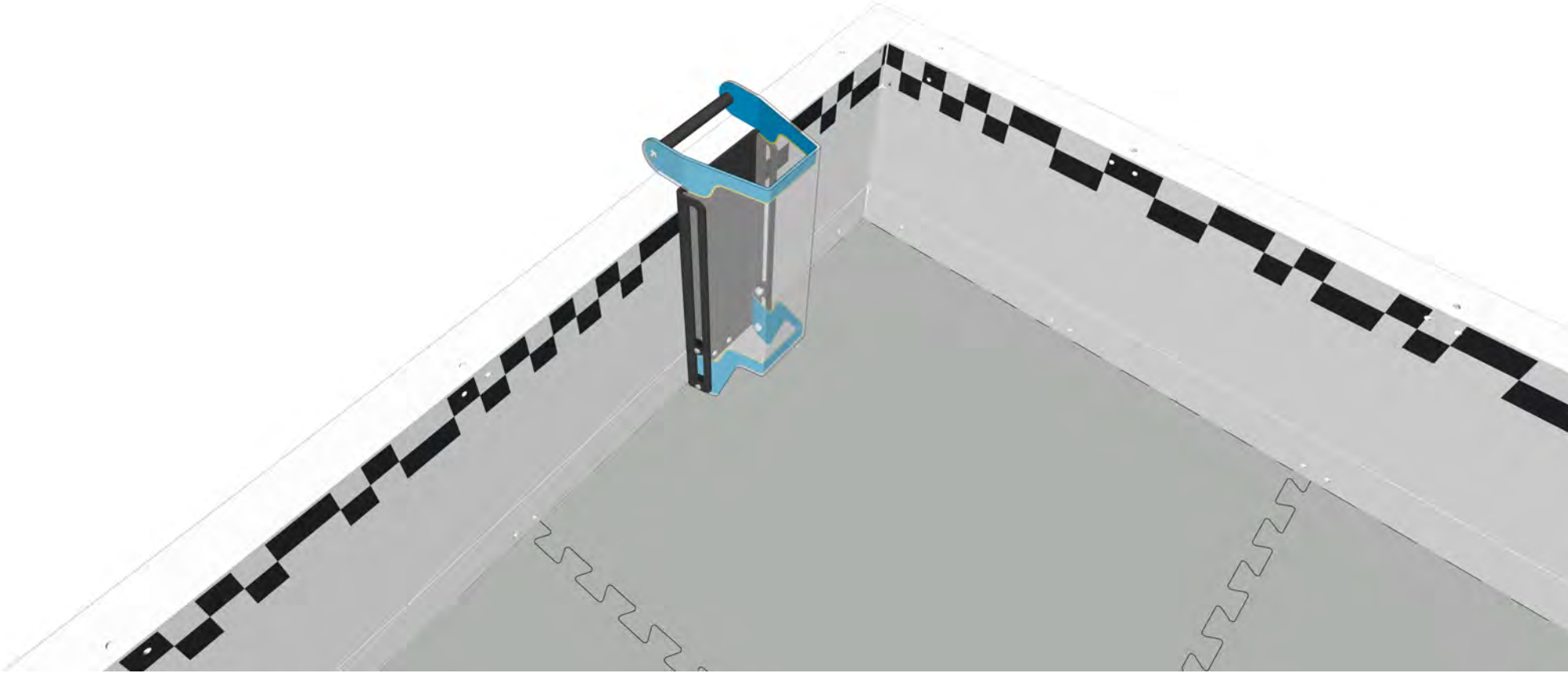


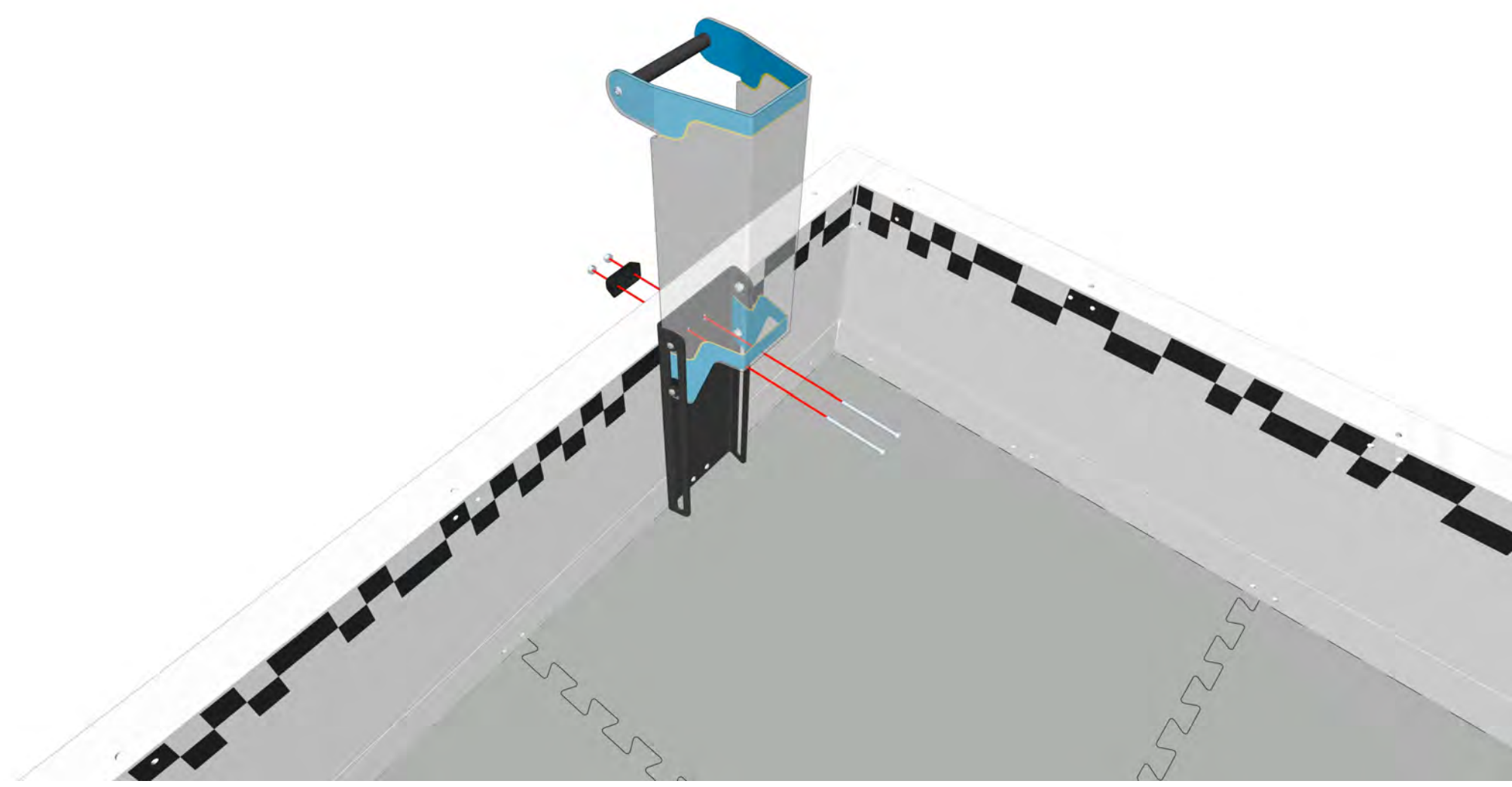


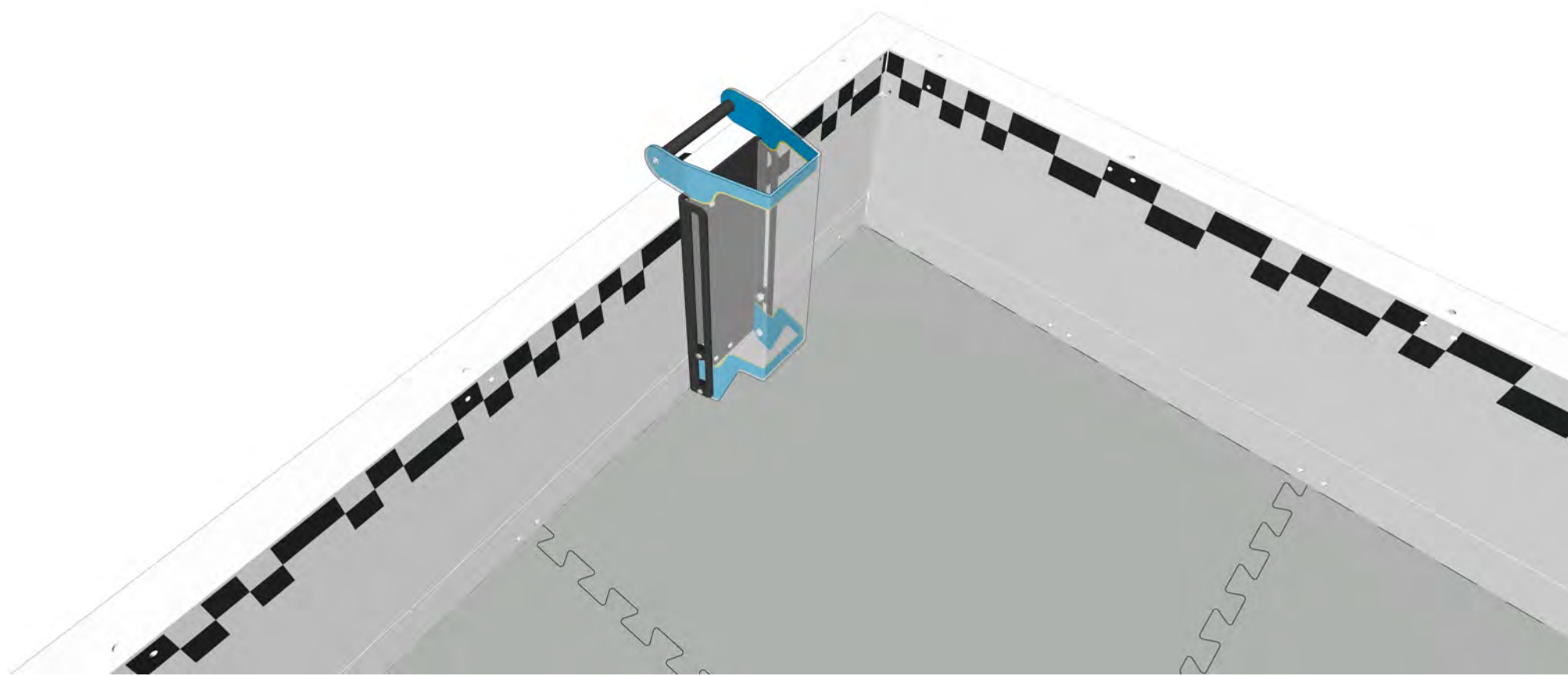




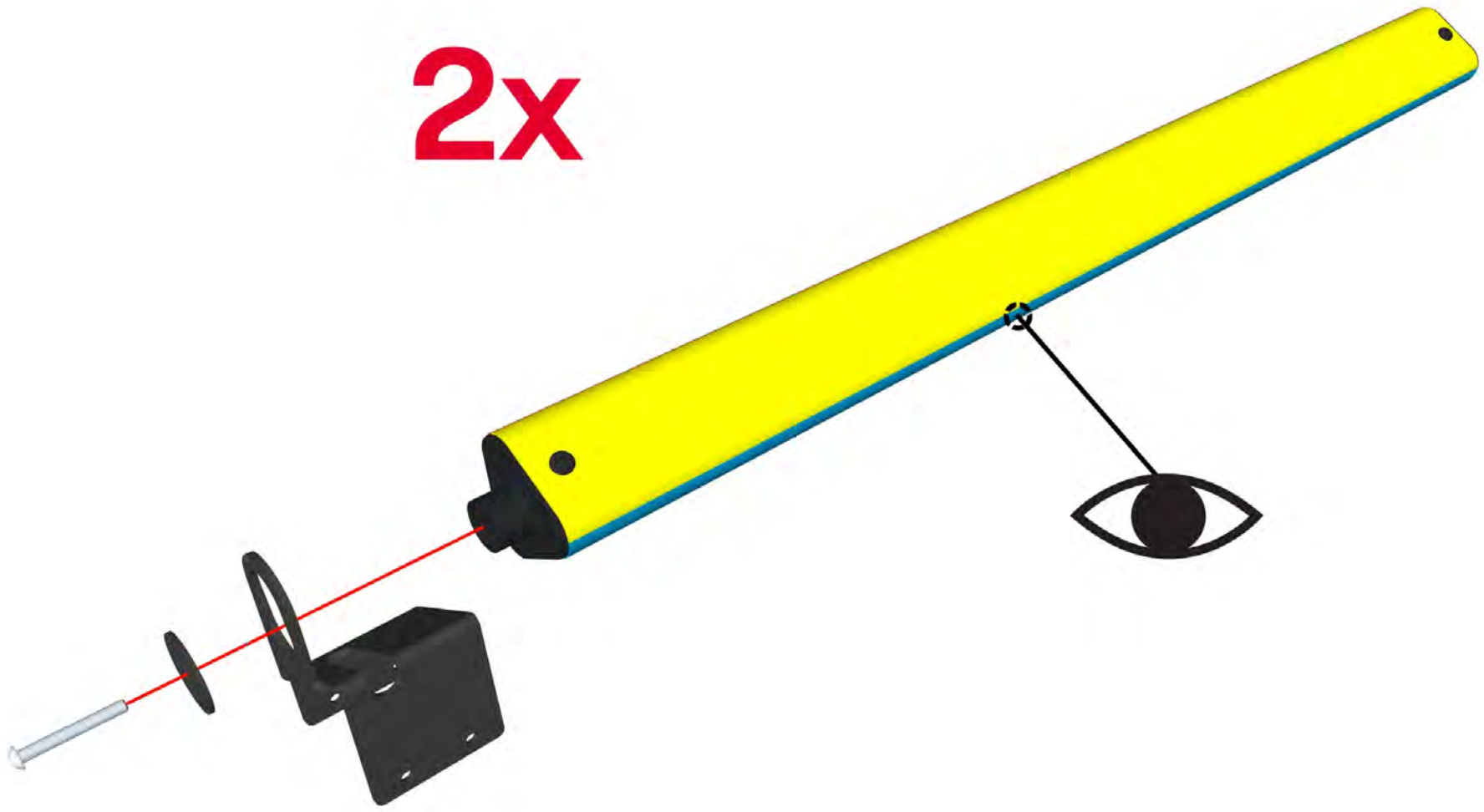




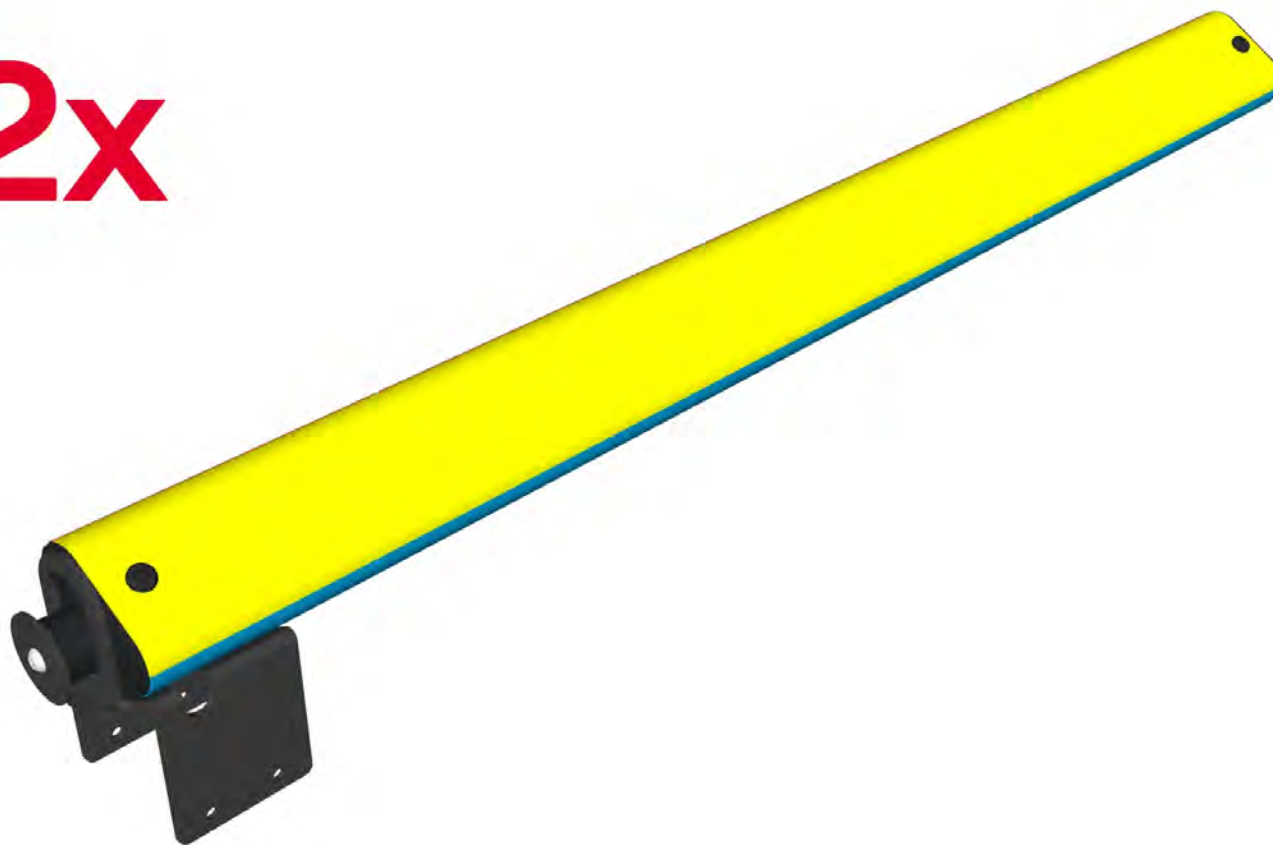




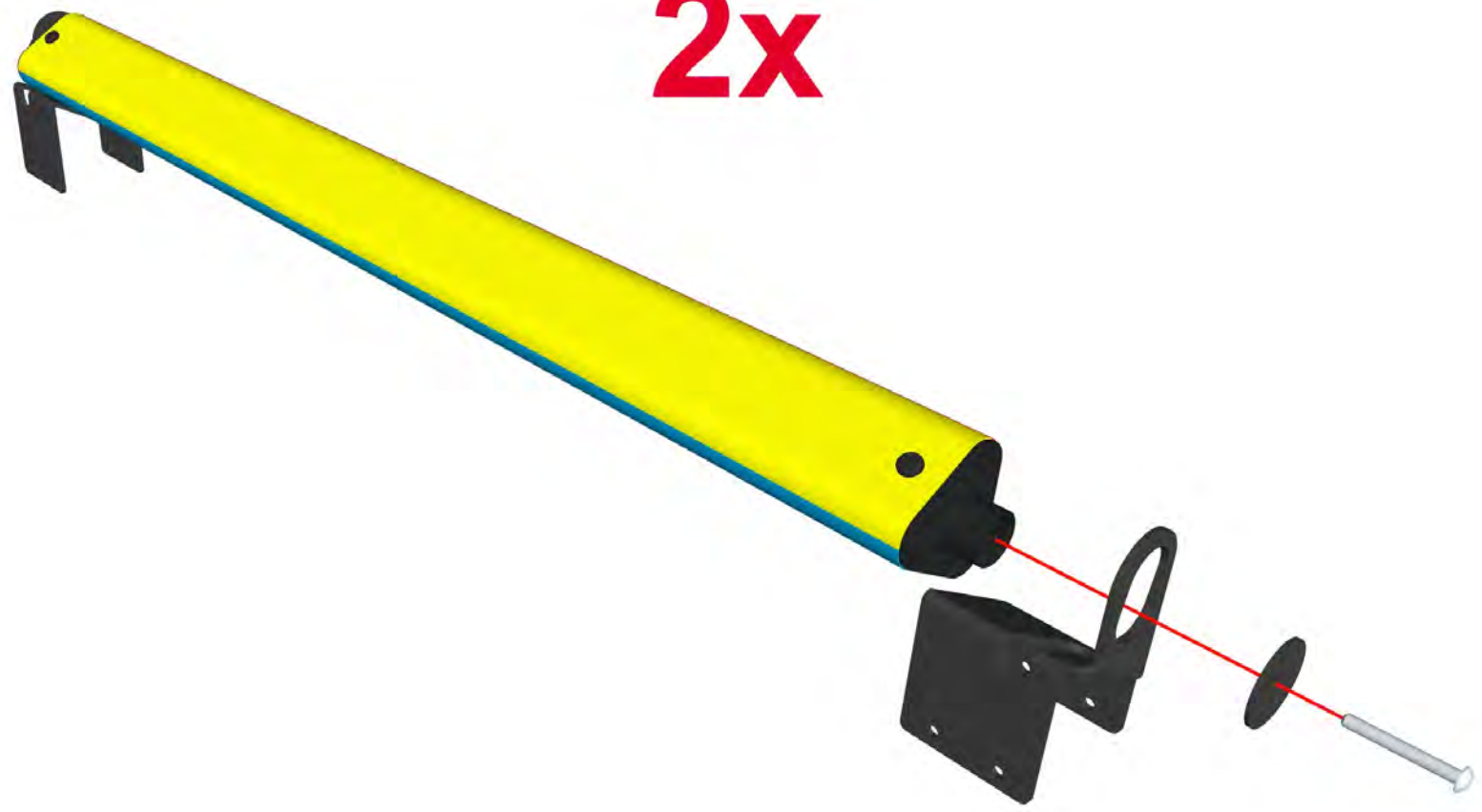
2x



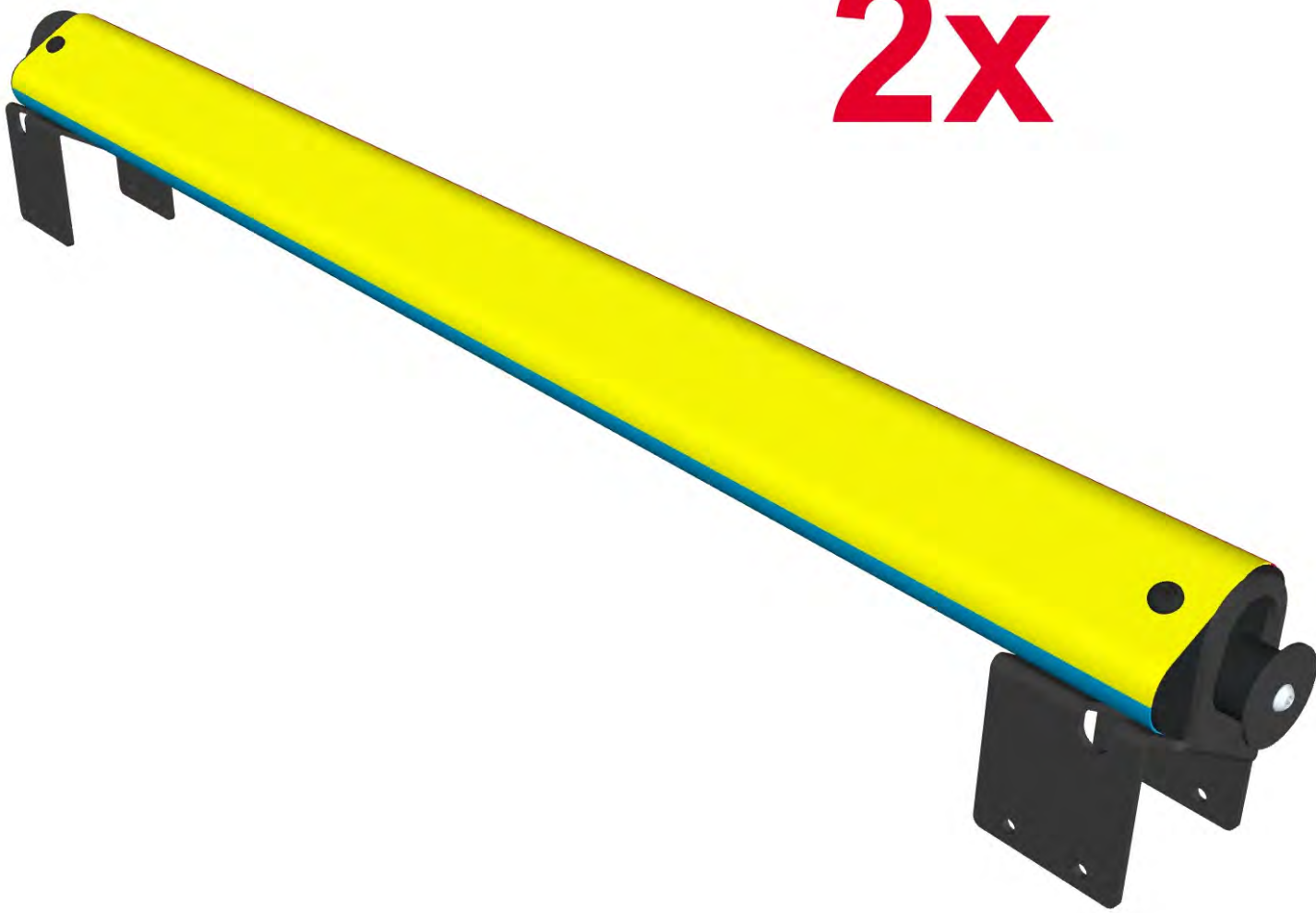
2x

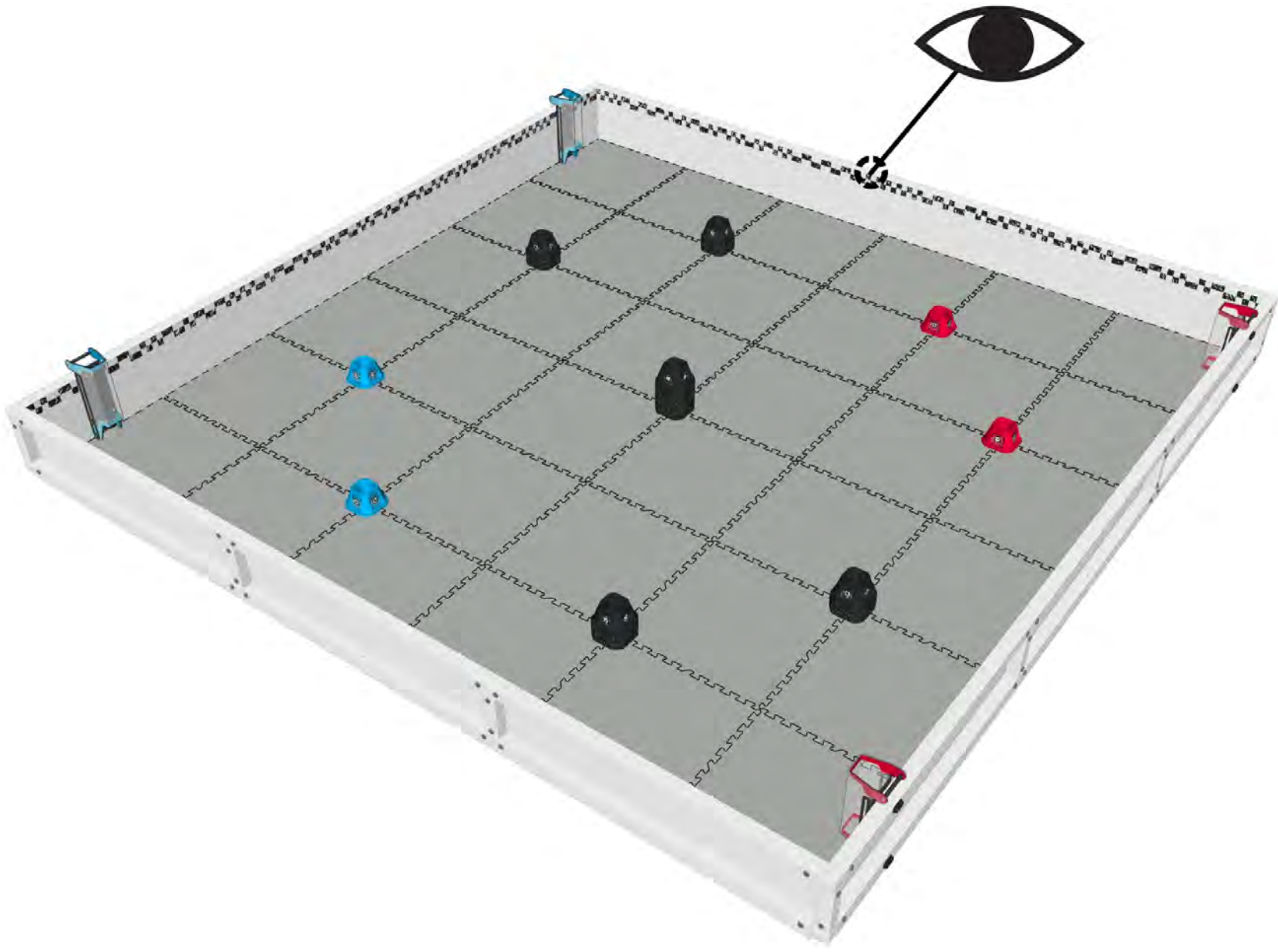


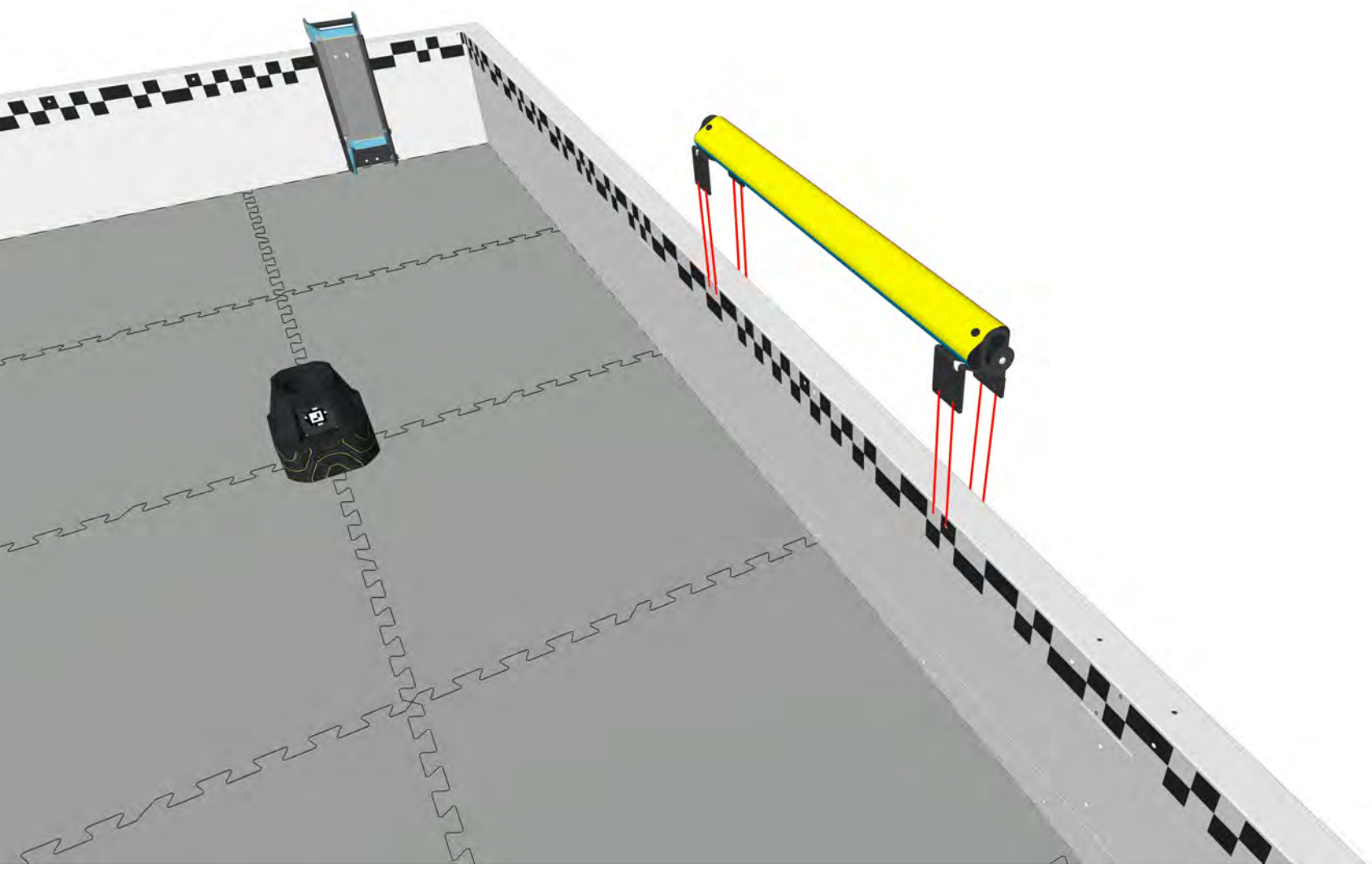
2x

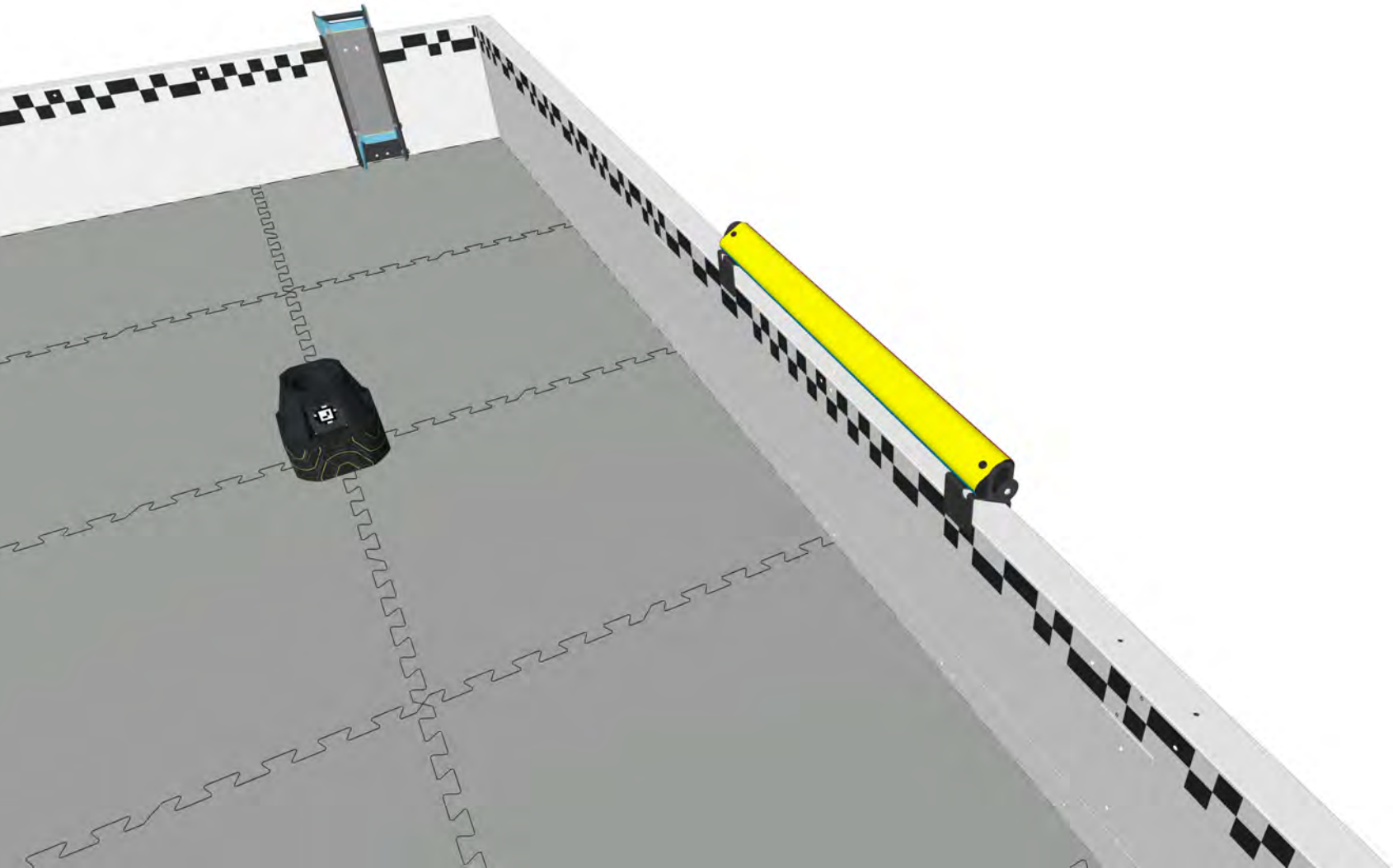


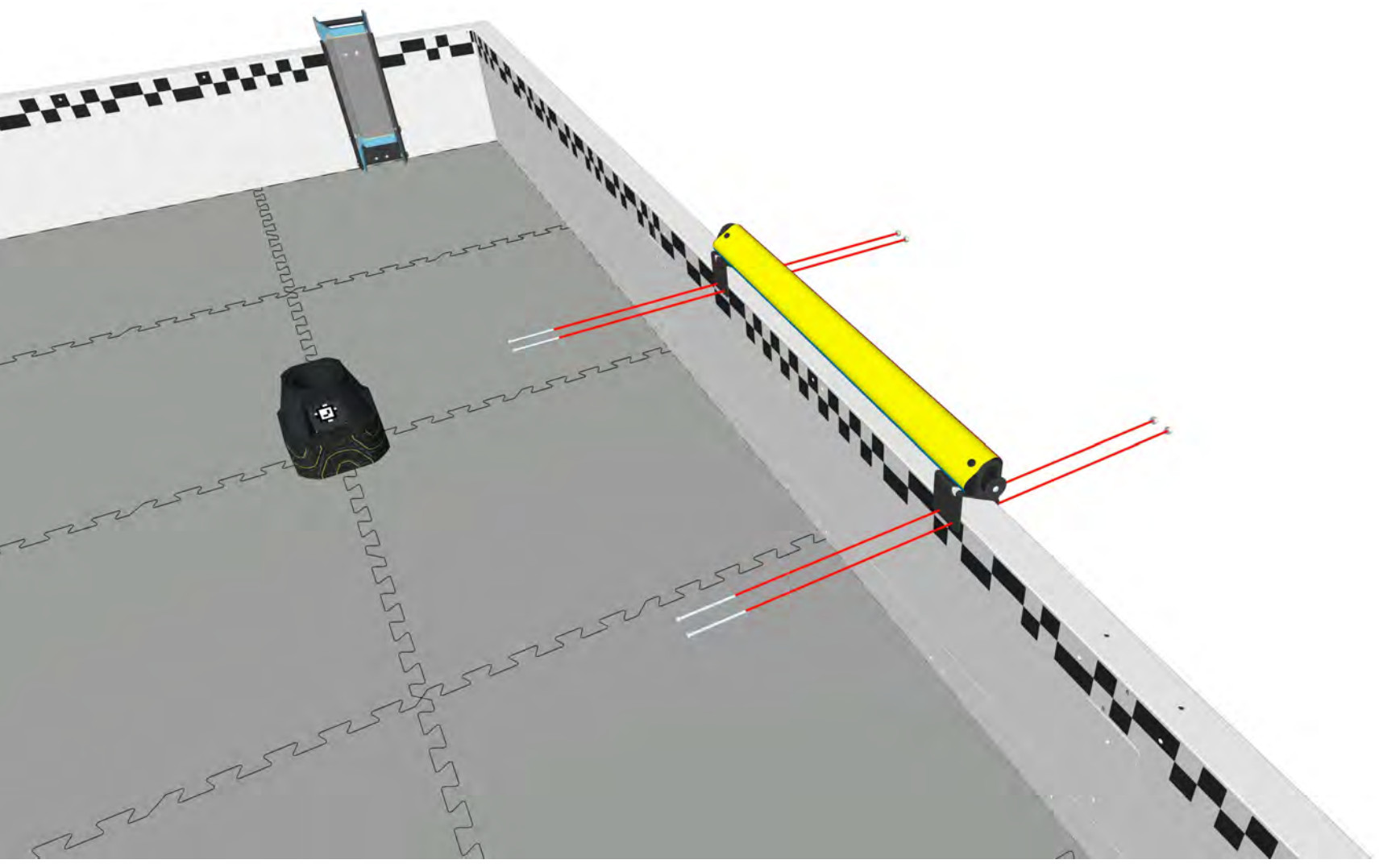
2x

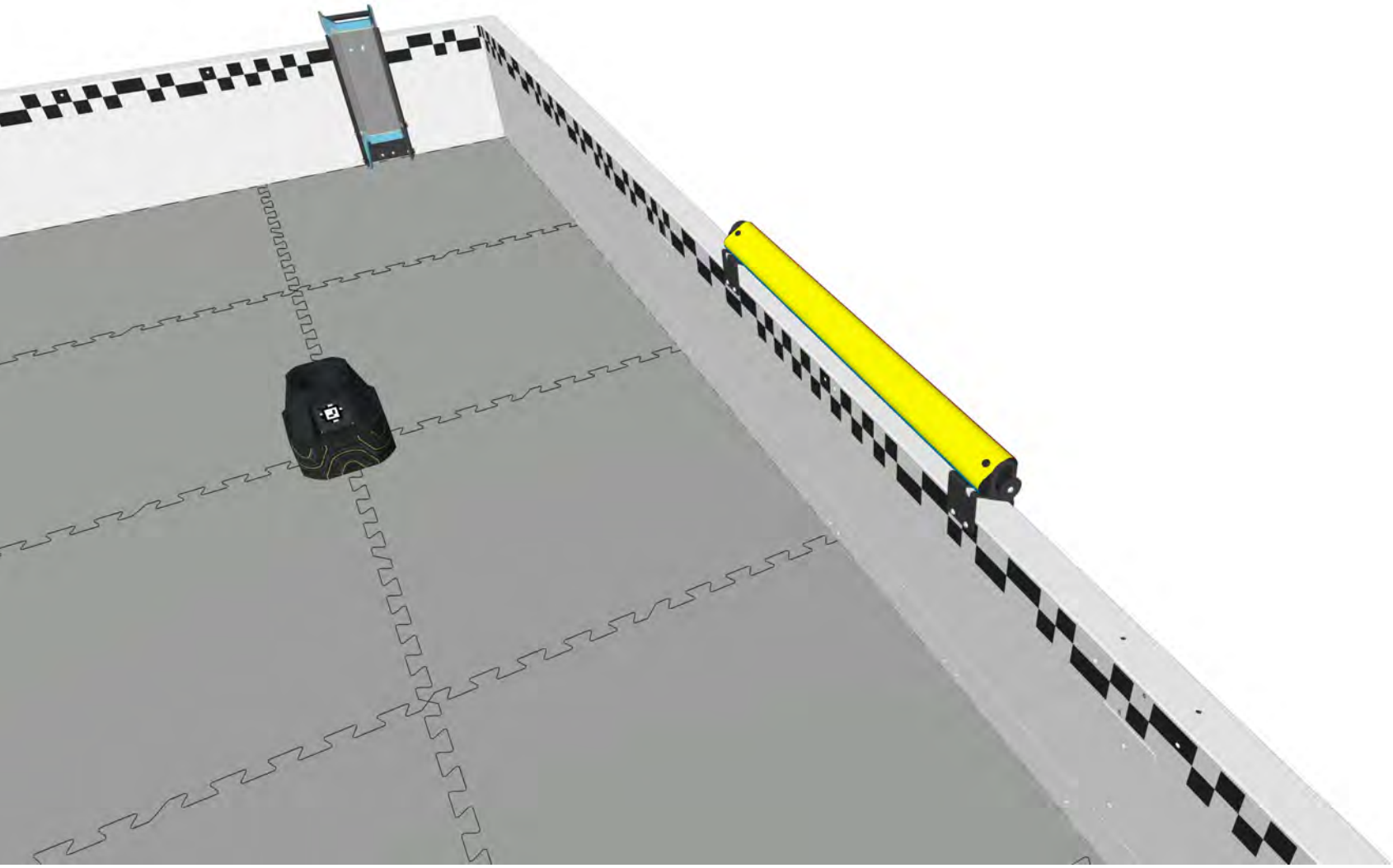


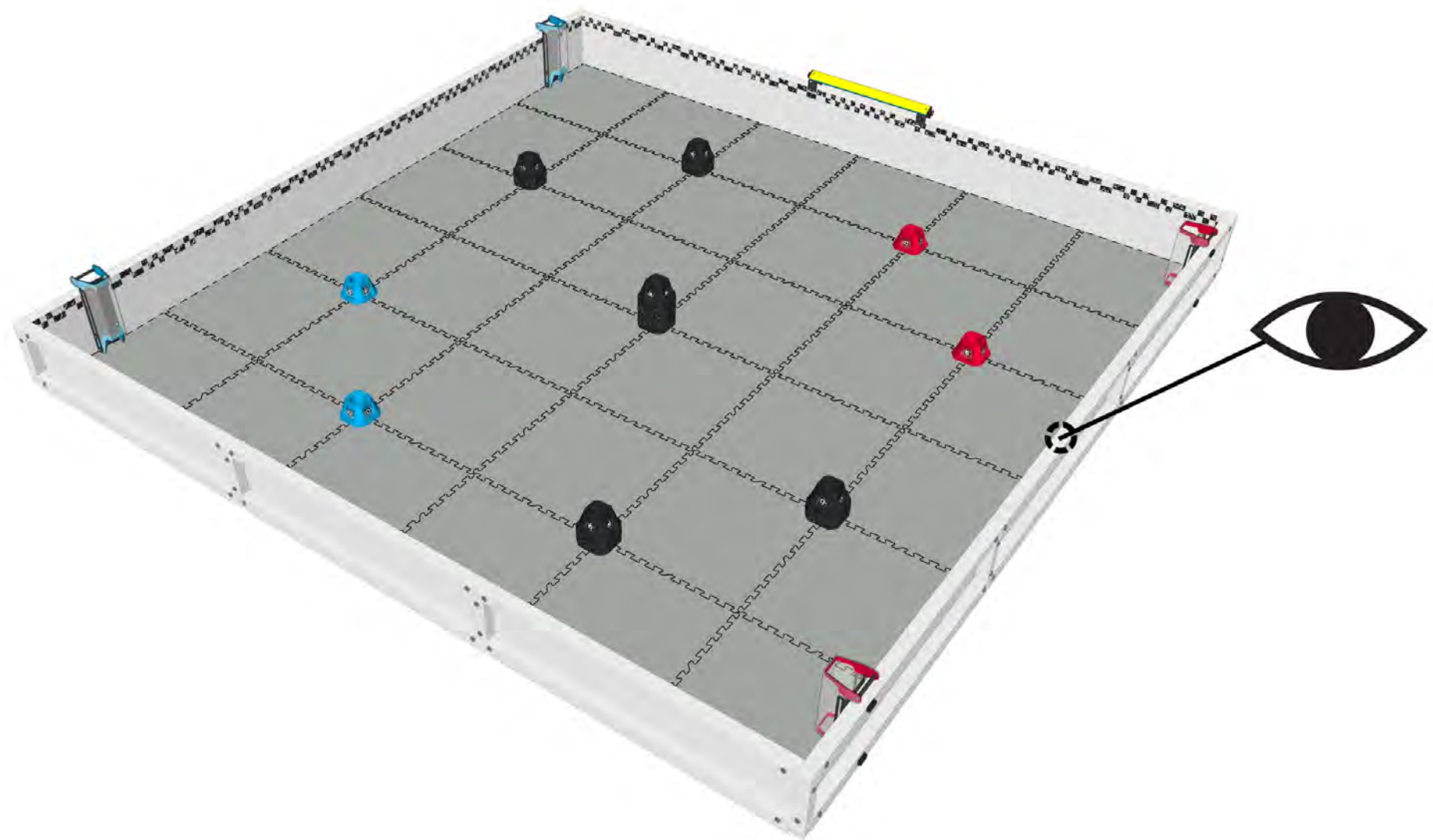


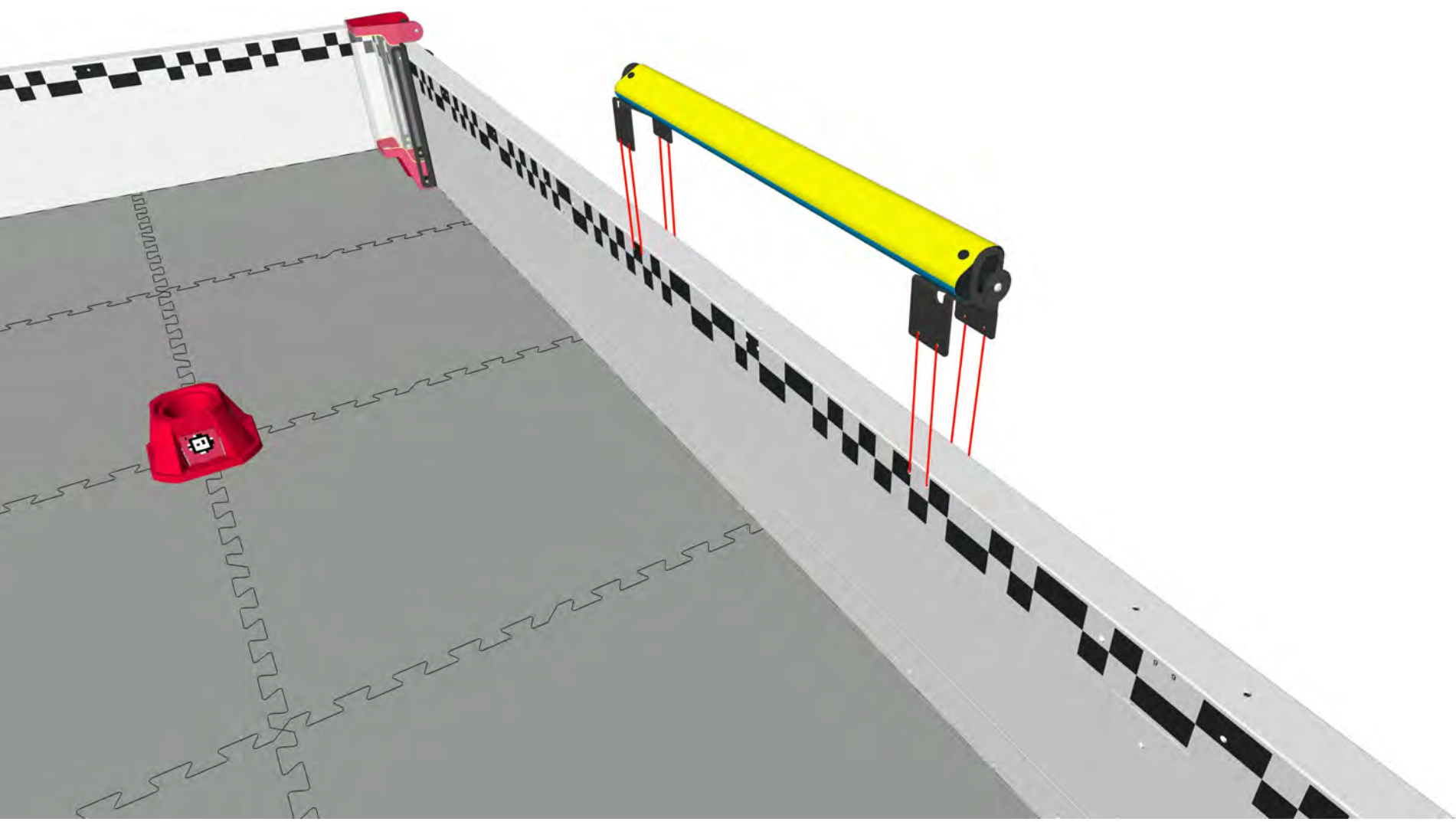


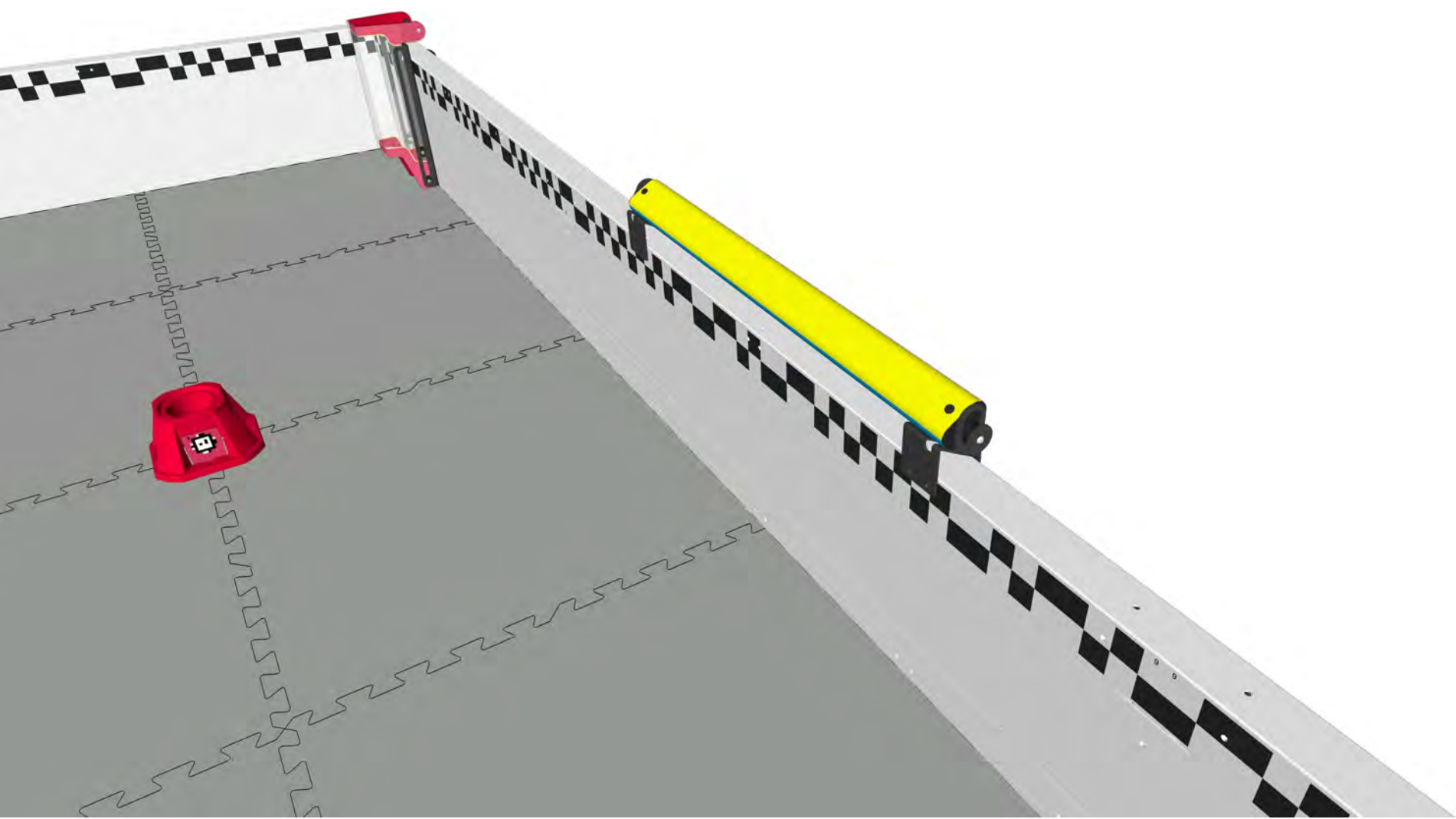


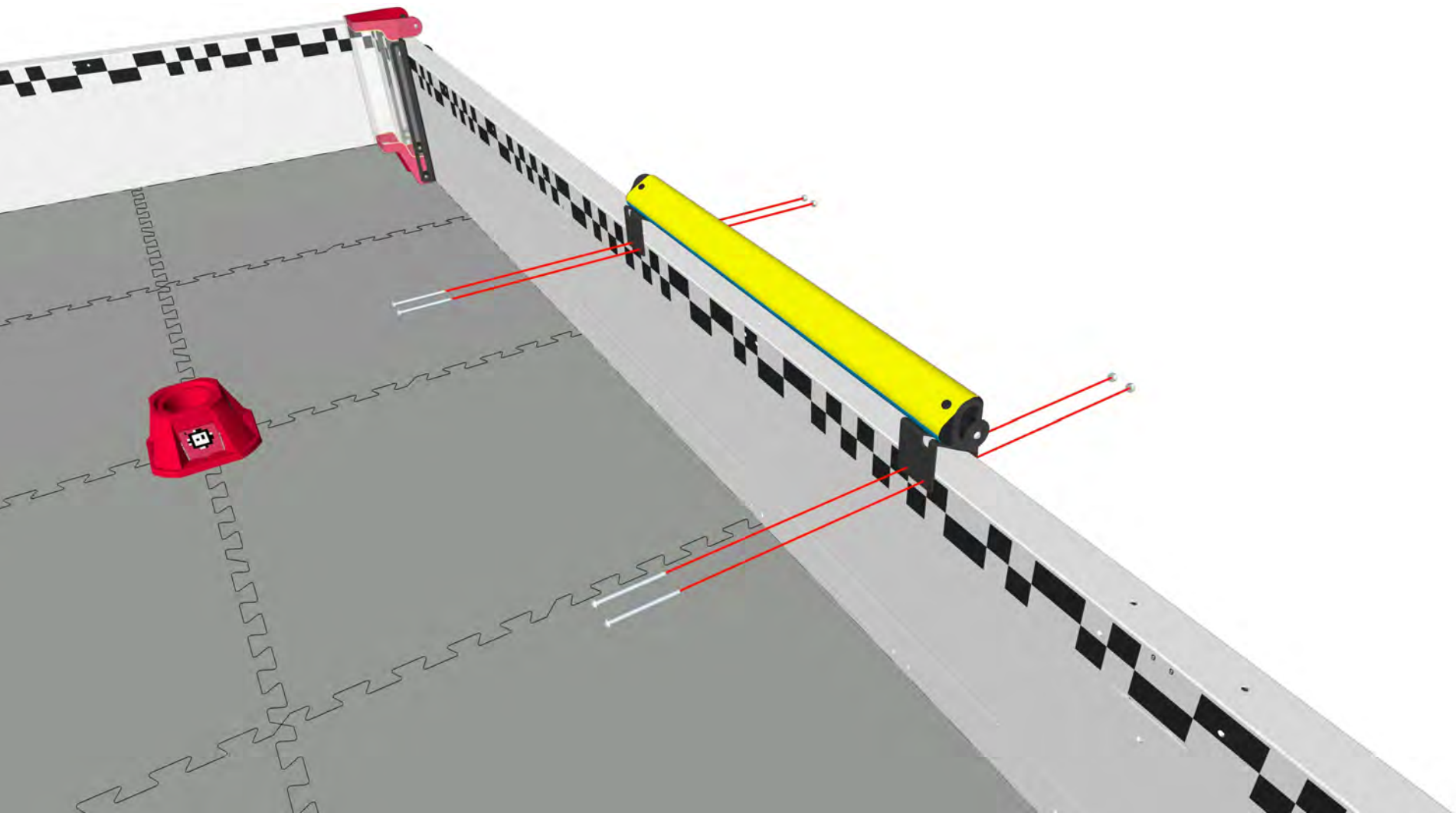


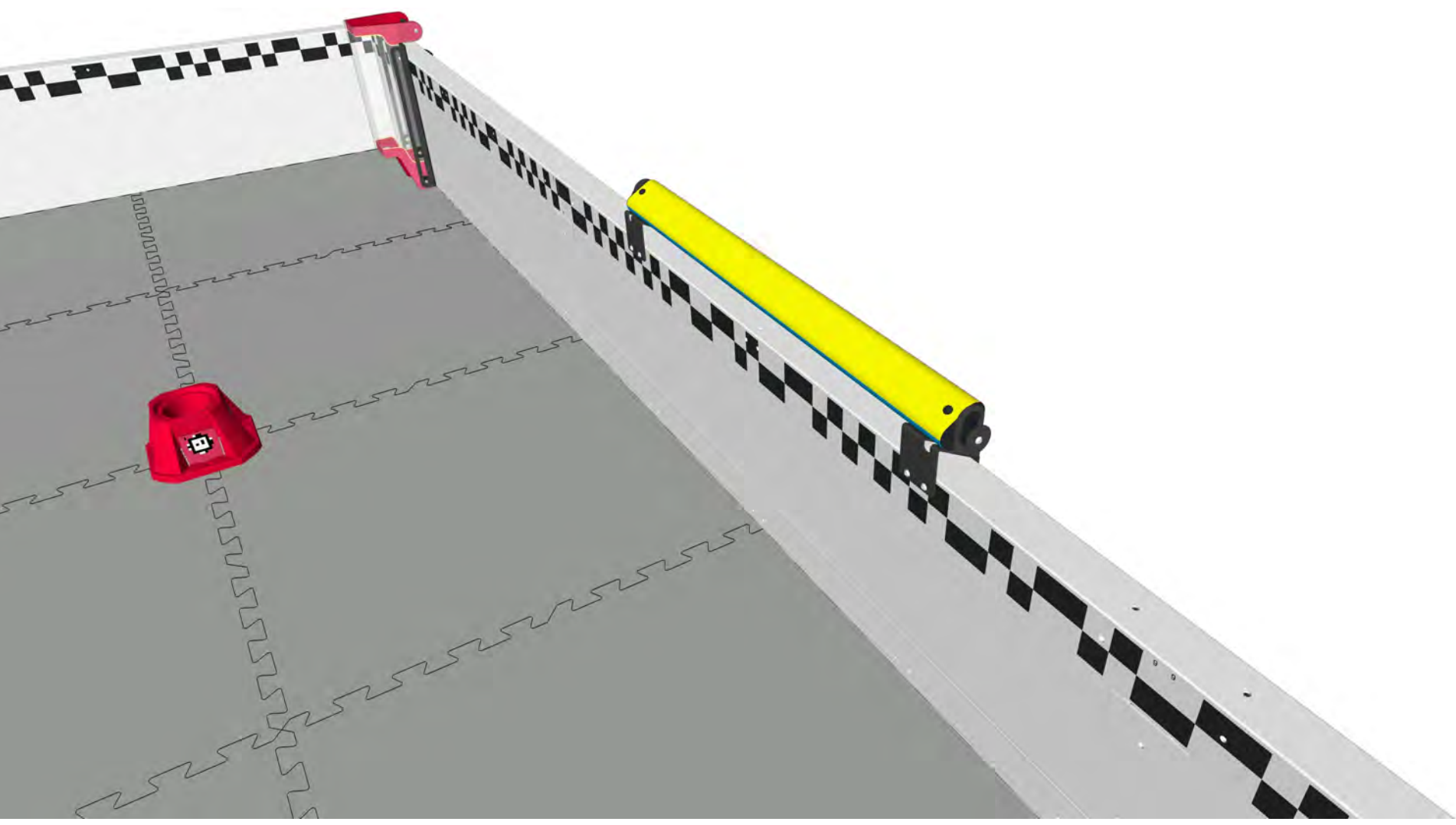




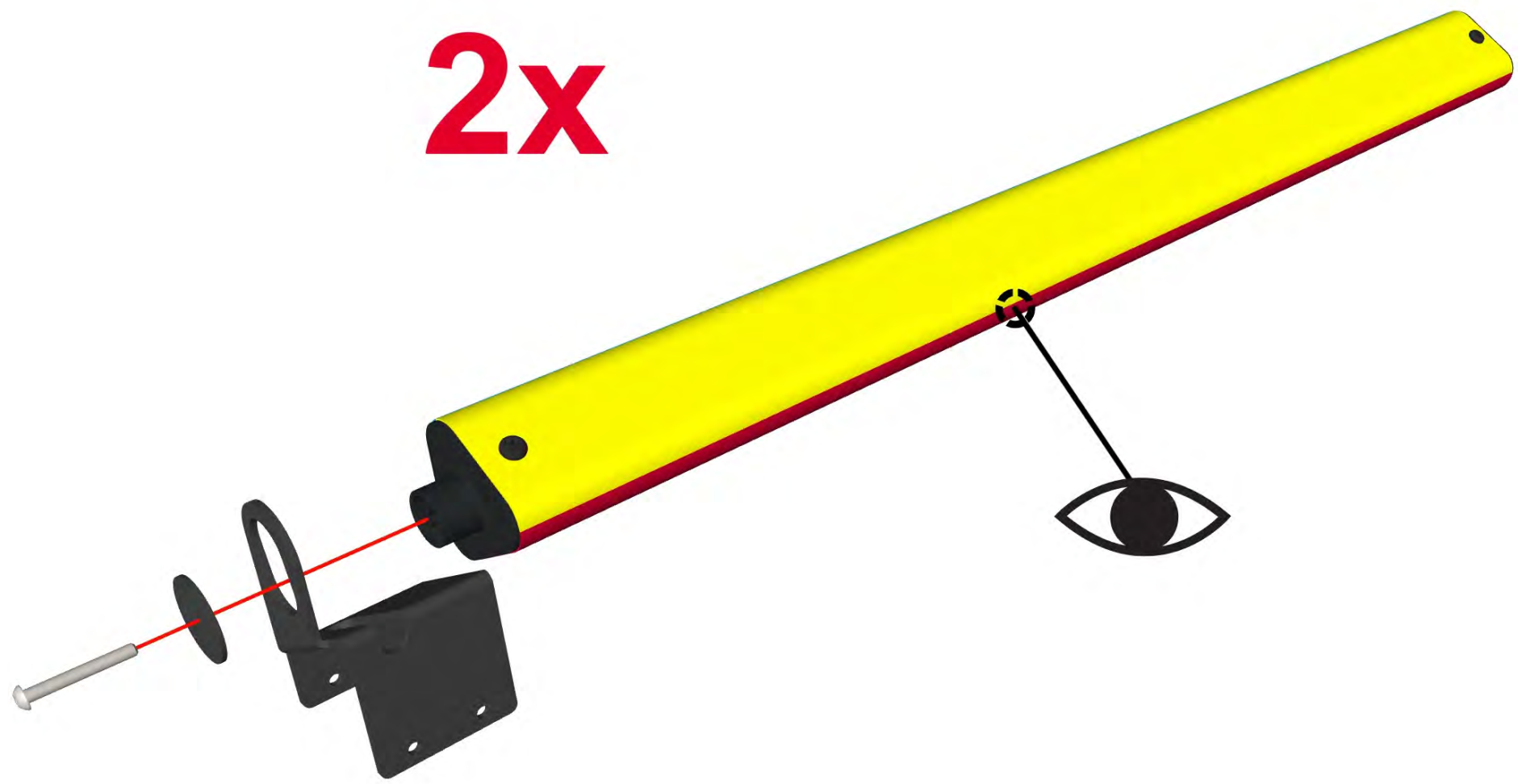




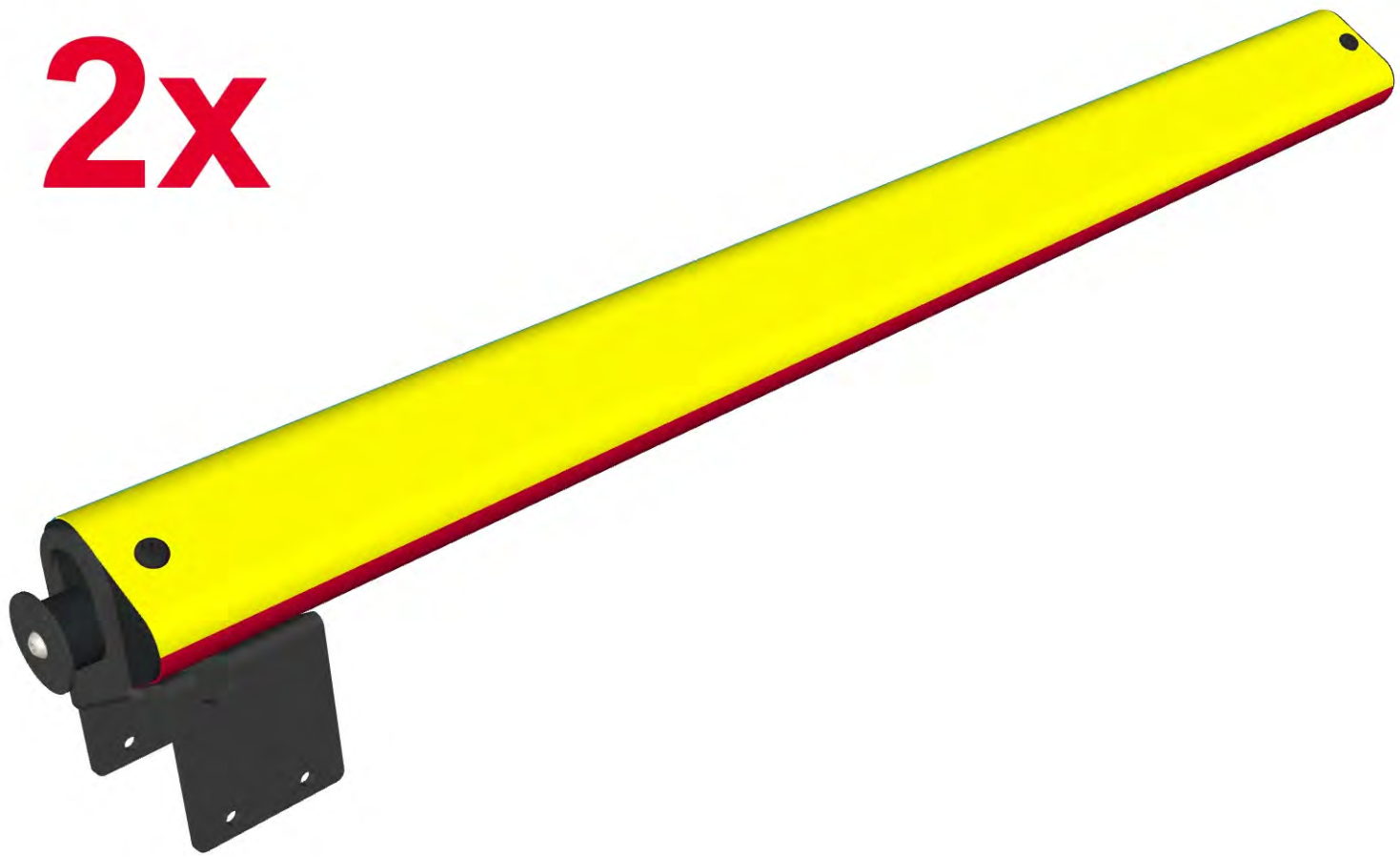


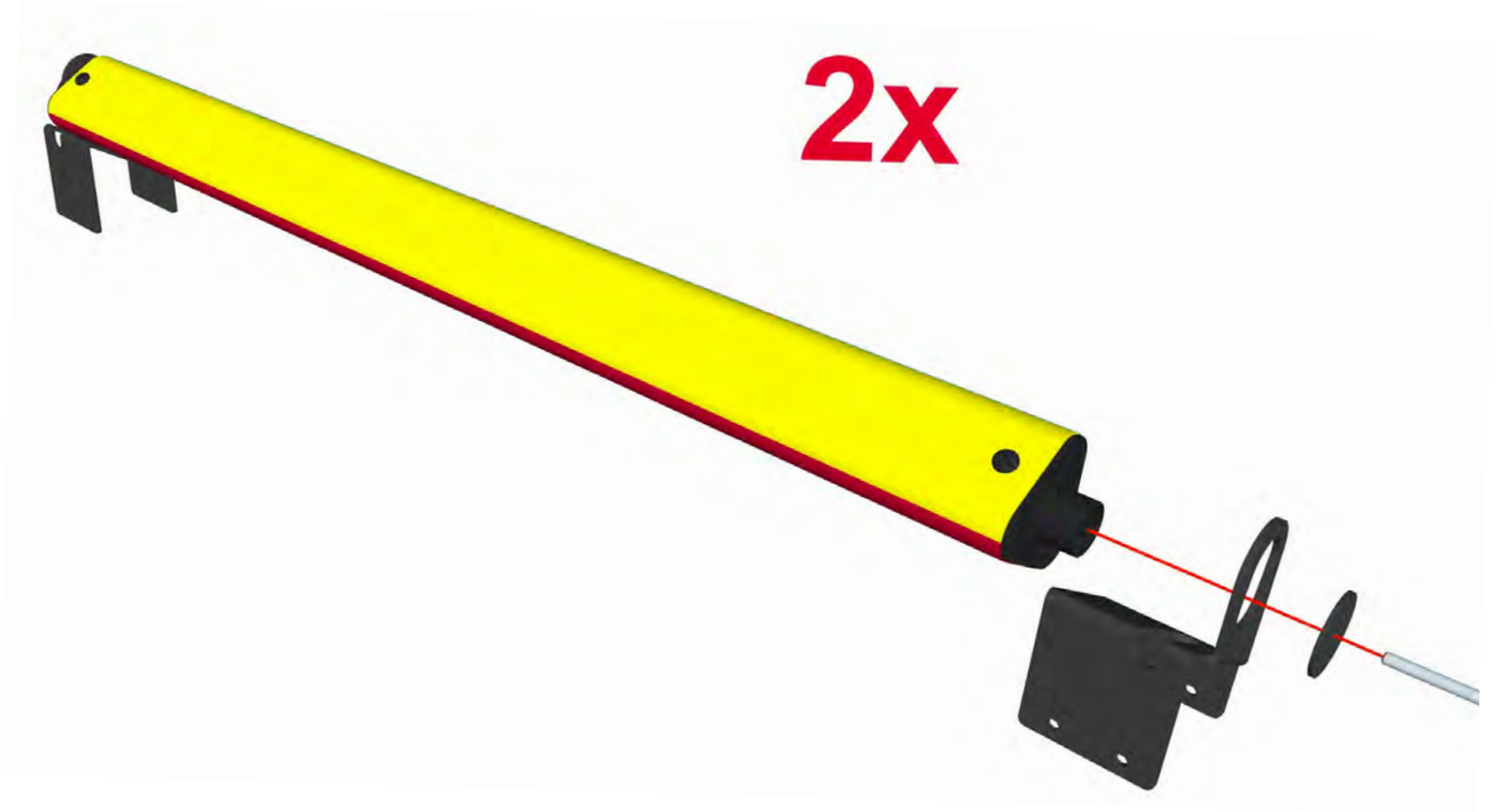


2x



2x





2x

